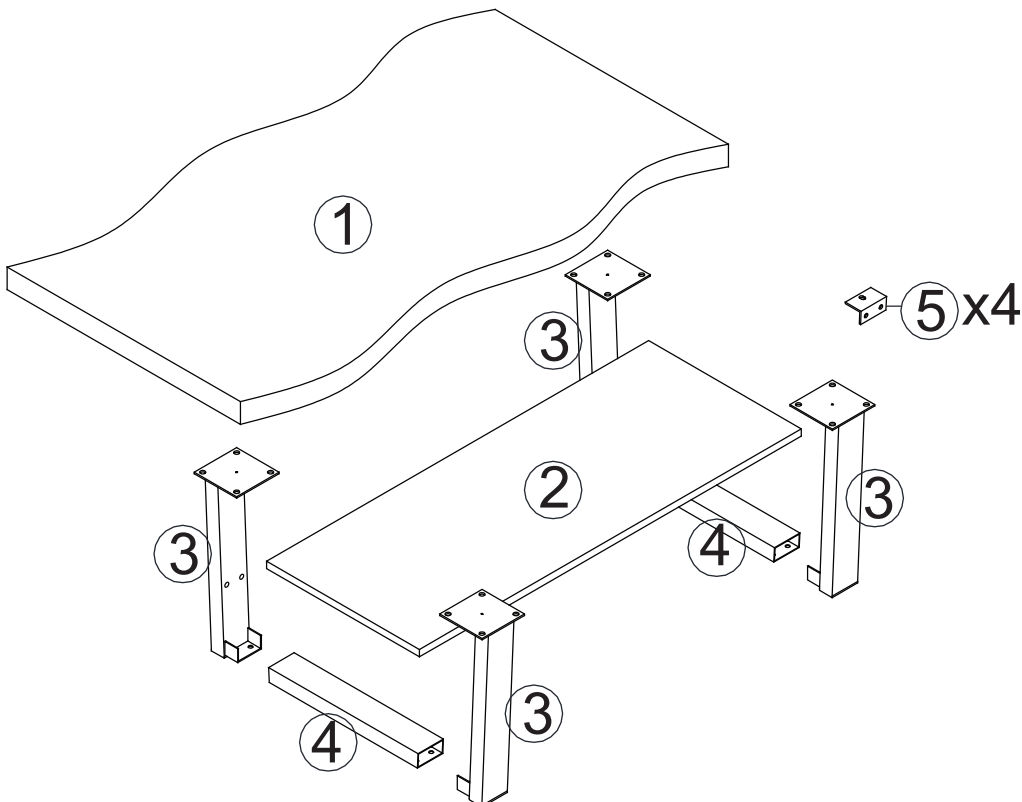
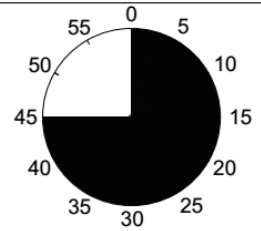
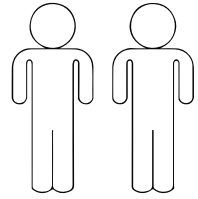
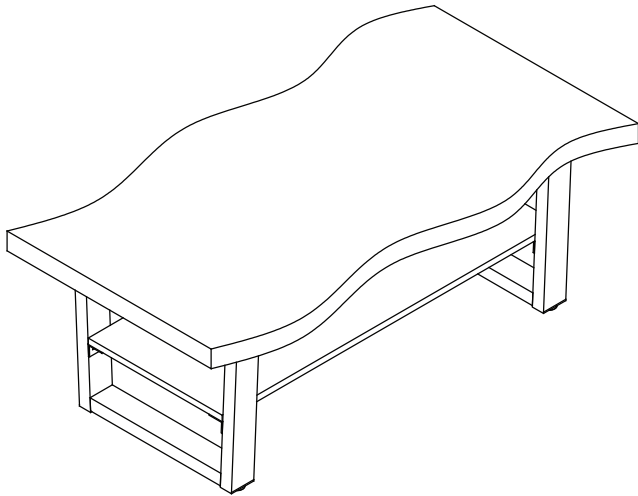


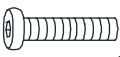




# Gabriel CT

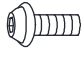



|   |    |   |
|---|----|---|
|   |    |  |
| 1 | 1x | 1/2   |
| 2 | 1x | 1/2   |
| 3 | 4x | 2/2   |
| 4 | 2x | 2/2   |
| 5 | 4x | 2/2   |


|   |         |
|---|---------|
|   | 2/2     |
| <b>A</b>  | M8x25mm |
|  | 16x     |

|   |        |
|---|--------|
| <b>B</b>  | φ30xM8 |
|  | 4x     |

|   |            |
|---|------------|
| <b>C</b>  | φ16xφ8x1mm |
|  | 16x        |

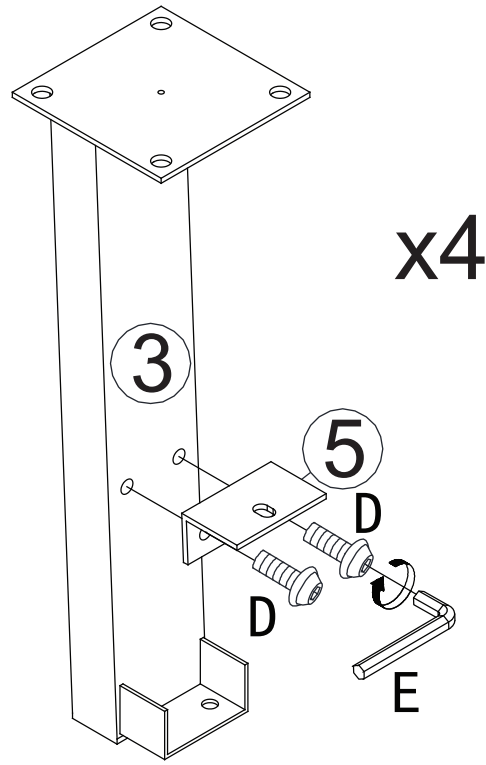
|   |         |
|---|---------|
| <b>D</b>  | M6x12mm |
|  | 20x     |

|   |    |
|---|----|
| <b>E</b>  | M4 |
|  | 1x |

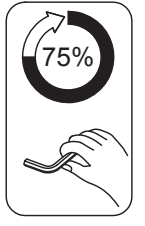
|   |    |
|---|----|
| <b>F</b>  | M5 |
|  | 1x |

I.

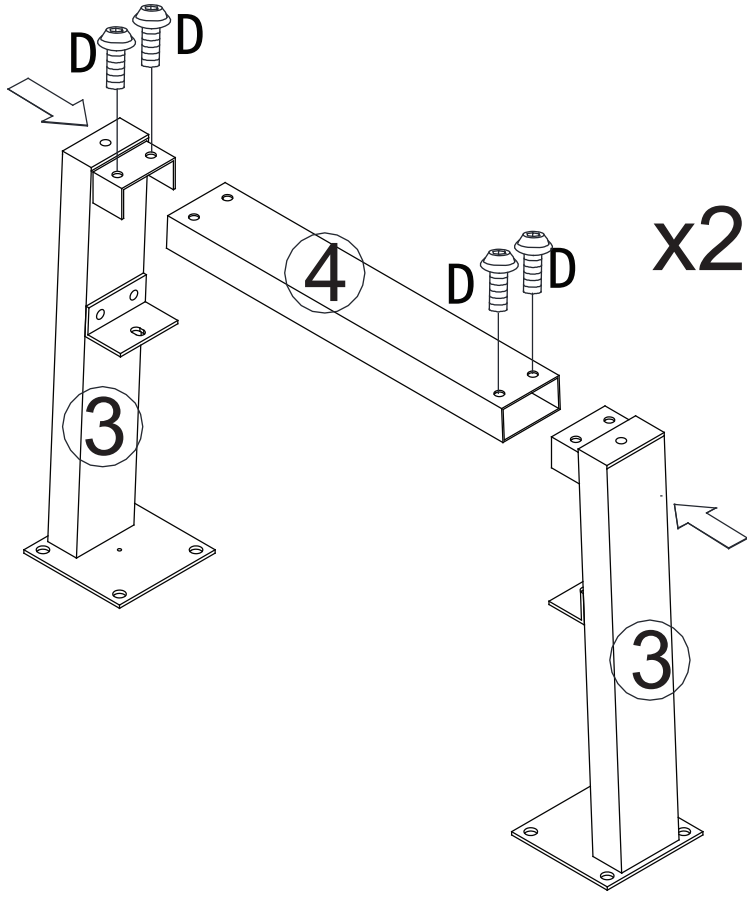
1.



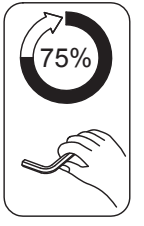
|   |         |    |
|---|---------|----|
| D | M6X12mm | 8x |
| E | M4      | 1x |



2.

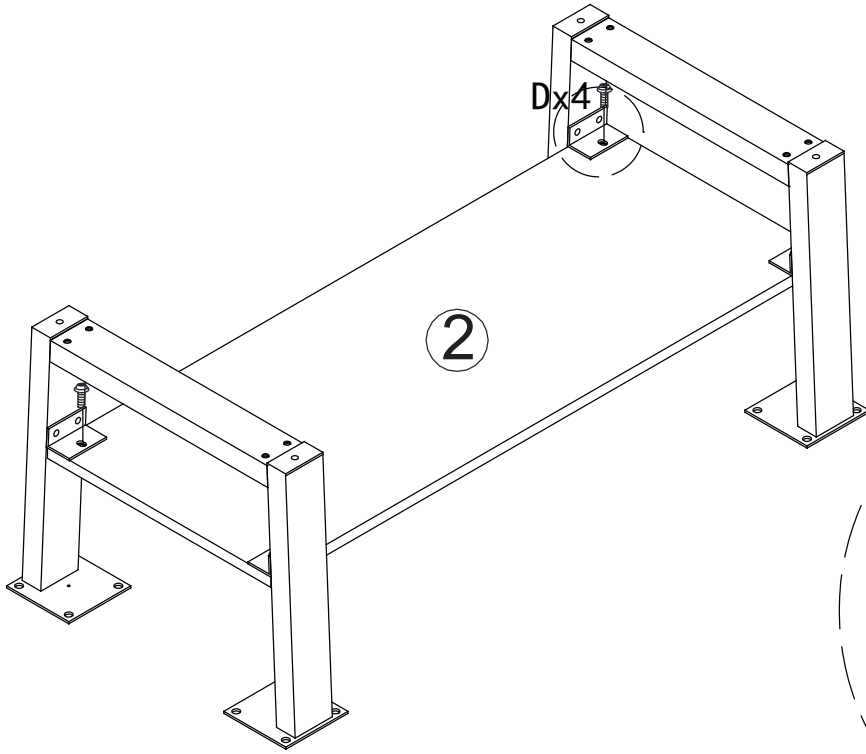




|   |         |    |
|---|---------|----|
| D | M6X12mm | 8x |
| E | M4      | 1x |

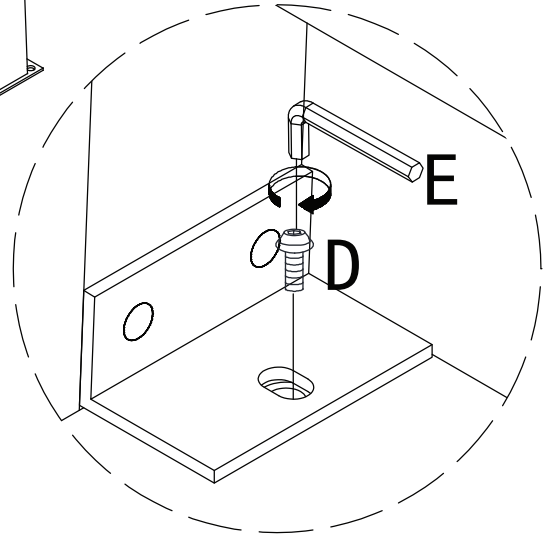
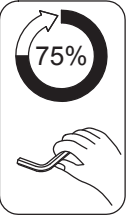


II.

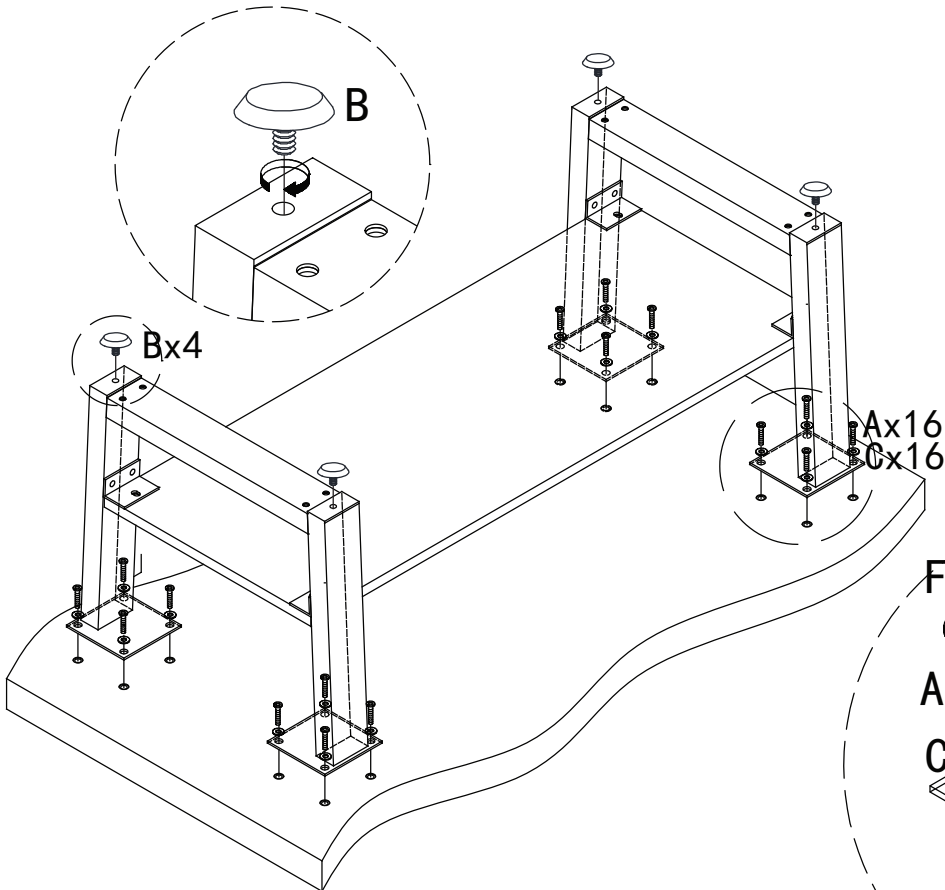
3.







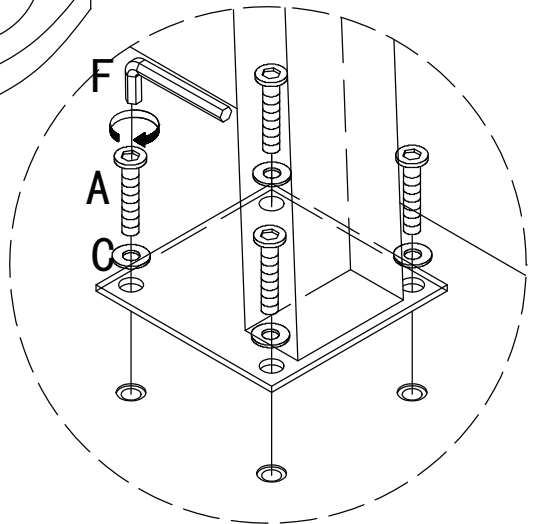
|          |  |
|----------|--|
| <b>D</b> |  M6X12mm<br>4x |
| <b>E</b> |  M4<br>1x     |



4.


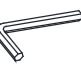


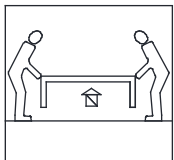
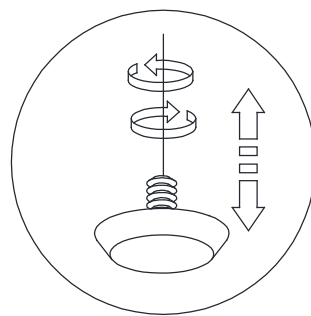
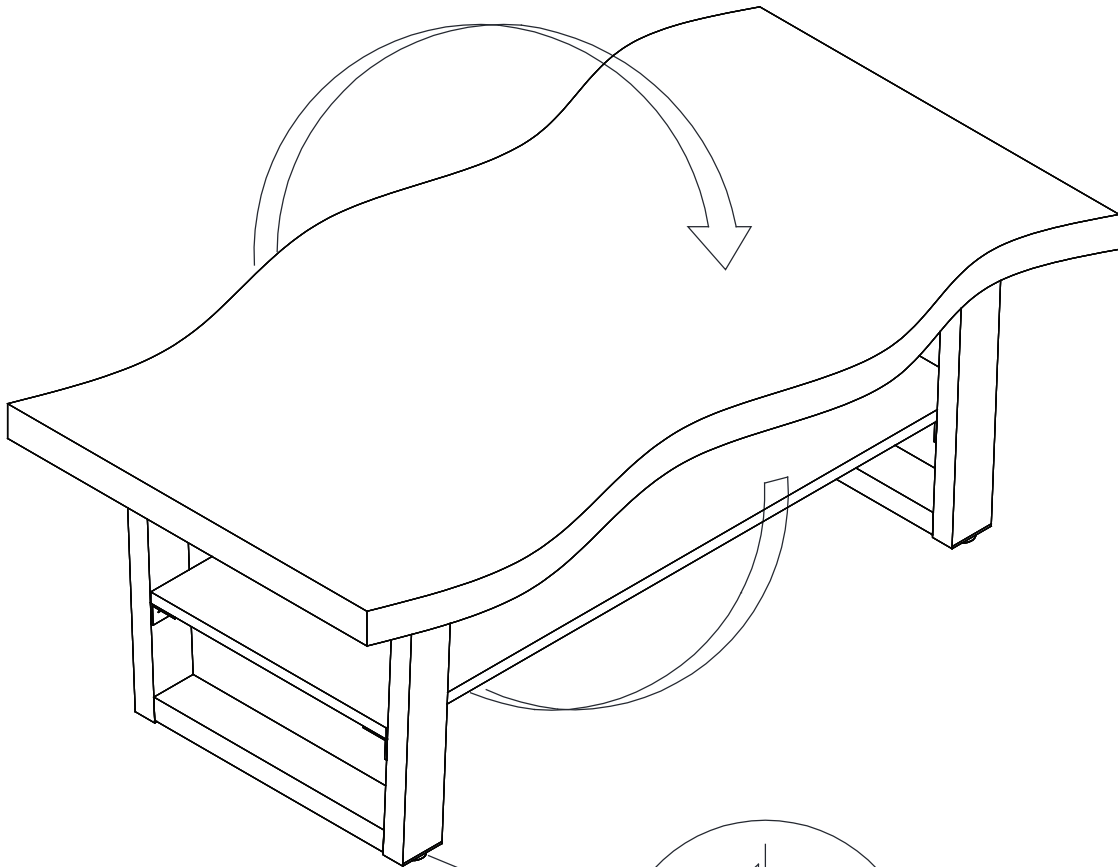
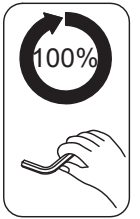
|          |   |
|----------|---|
| <b>A</b> |  M8x25mm<br>16x    |
| <b>B</b> |  φ30xM8<br>4x      |
| <b>C</b> |  φ16xφ8x1mm<br>16x |
| <b>F</b> |  M5<br>1x          |



III.

5.

|   |   |    |
|---|---|----|
| E |   | M4 |
|   |   | 1x |
| F |  | M5 |
|   |   | 1x |



**LE TRI  
+ FACILE**



+



*Séparez les éléments avant de trier*