






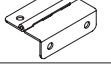







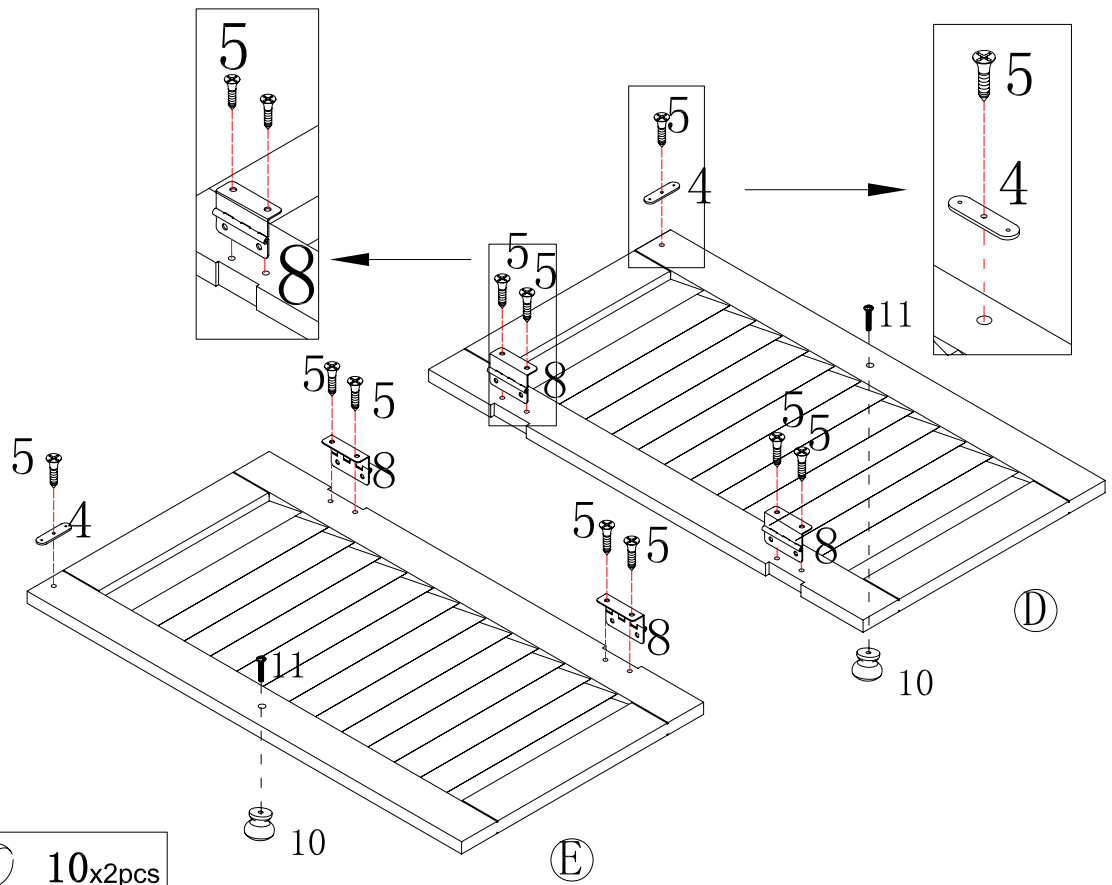







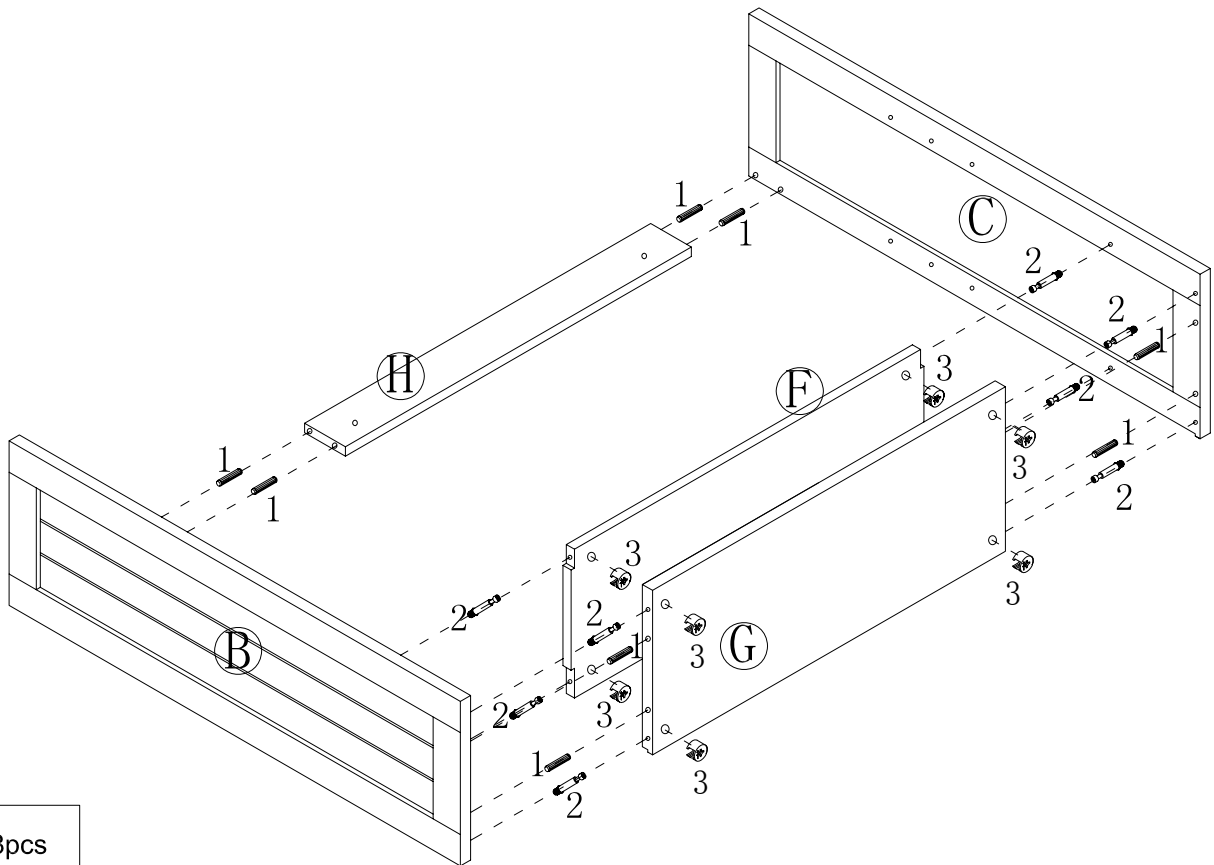
1		$\phi 6 \times 30 \text{mm}$	12pcs	6		$\phi 2.5 \times 12 \text{mm}$	2pcs	11		$\phi 4 \times 18 \text{mm}$	2pcs
2			8pcs	7			1pc	12		$\phi 5 \times 15 \text{mm}$	4pcs
3		$\phi 15 \times 9.5 \text{mm}$	8pcs	8			4pcs	13		$\phi 3.5 \times 45 \text{mm}$	2pcs
4			2pcs	9		$\phi 6 \times 35 \text{mm}$	2pcs	14		$\phi 4 \times 30 \text{mm}$	4pcs
5		$\phi 3 \times 10 \text{mm}$	18pcs	10			2pcs	15		$\phi 2.2 \times 10 \text{mm}$	22pcs

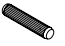


1



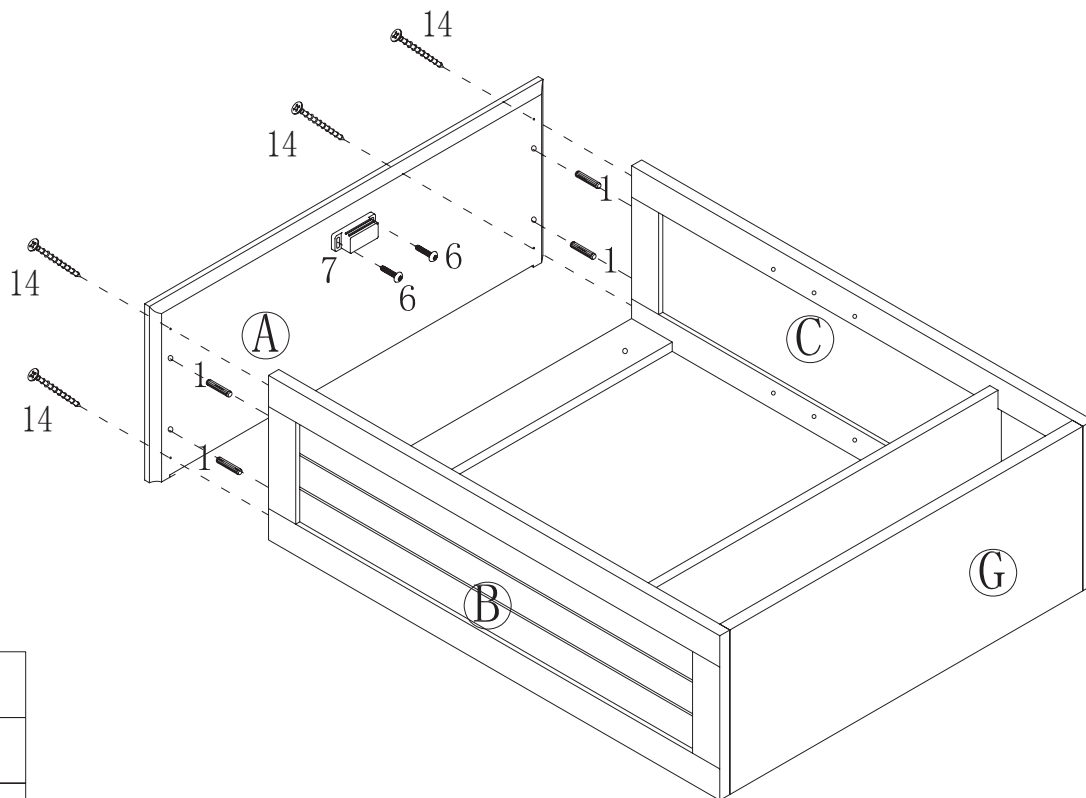
 4x2pcs	 5x10pcs	 10x2pcs
 8x4pcs	 11x2pcs	

2



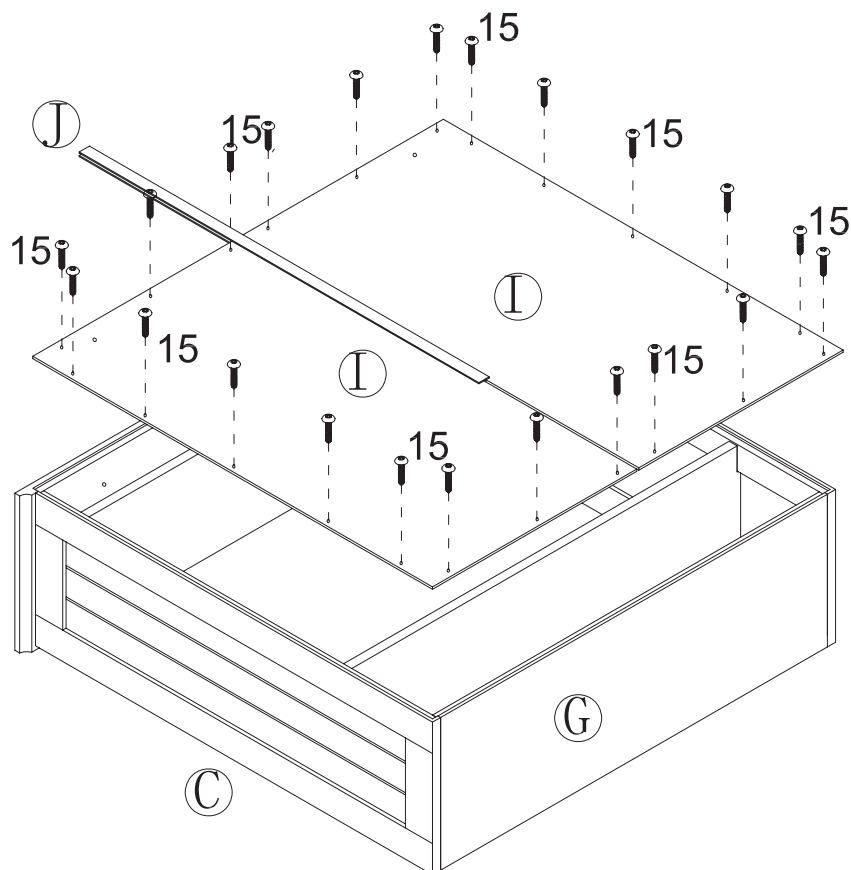
 1x8pcs
 2x8pcs
 3x8pcs

3



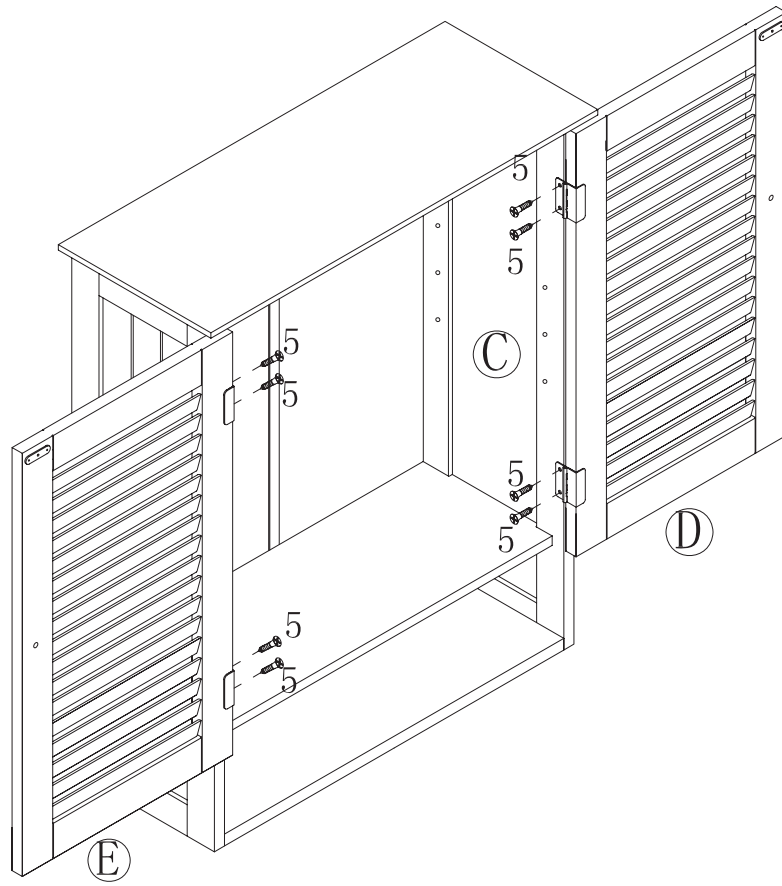
- 1x4pcs
- 6x2pcs
- 7x1pc
- 14x4pcs

4



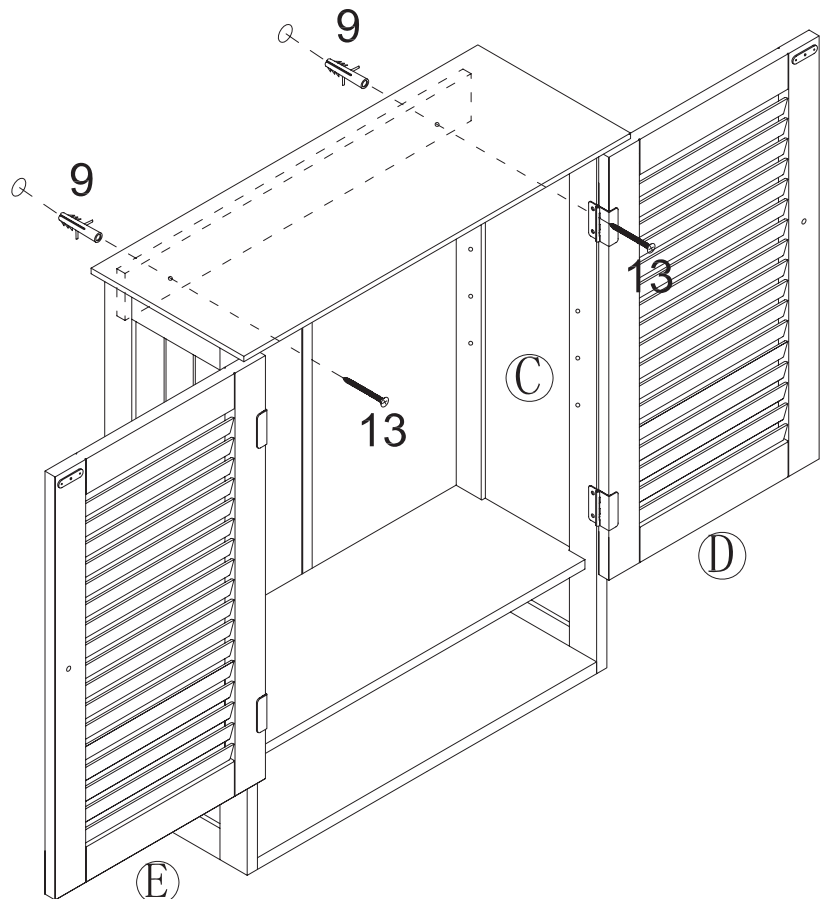
- 15x22pcs

5



5x8pcs

6



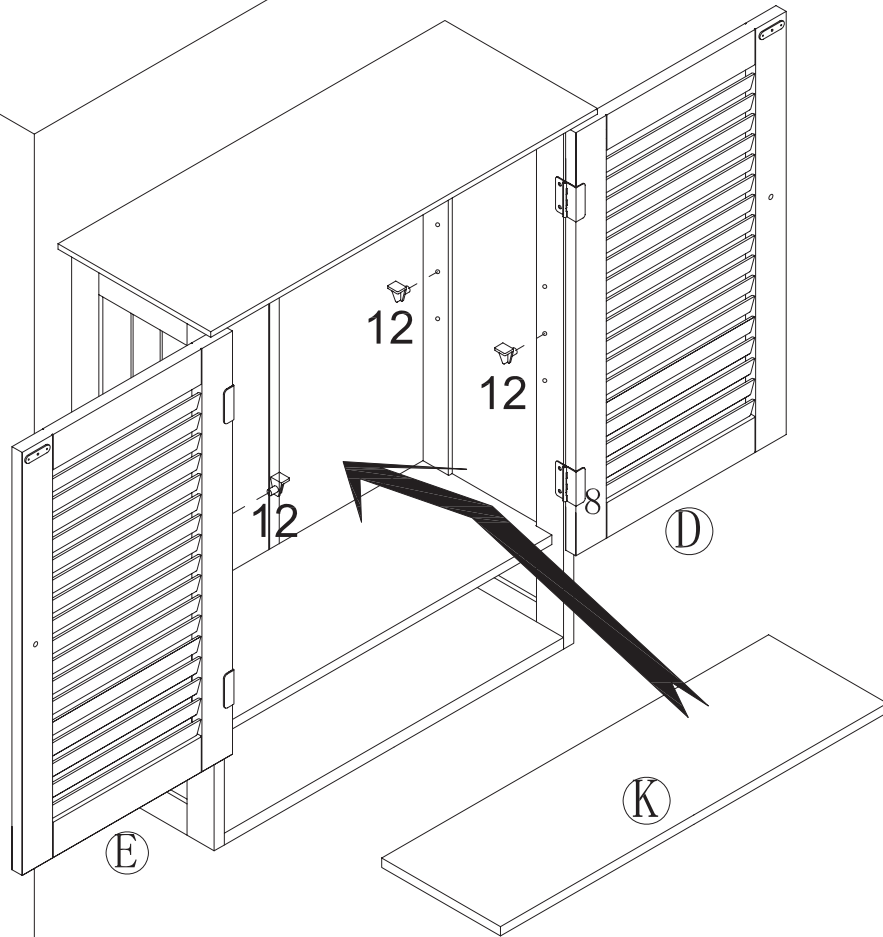
9x2pcs



13x2pcs

5 - 6

7



12x4pcs

8

