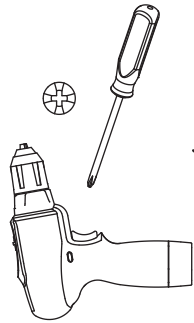


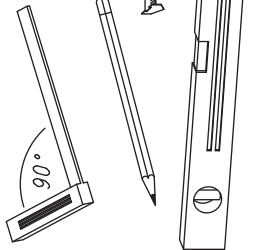
1.

M1 988\_02

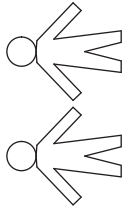
rauch



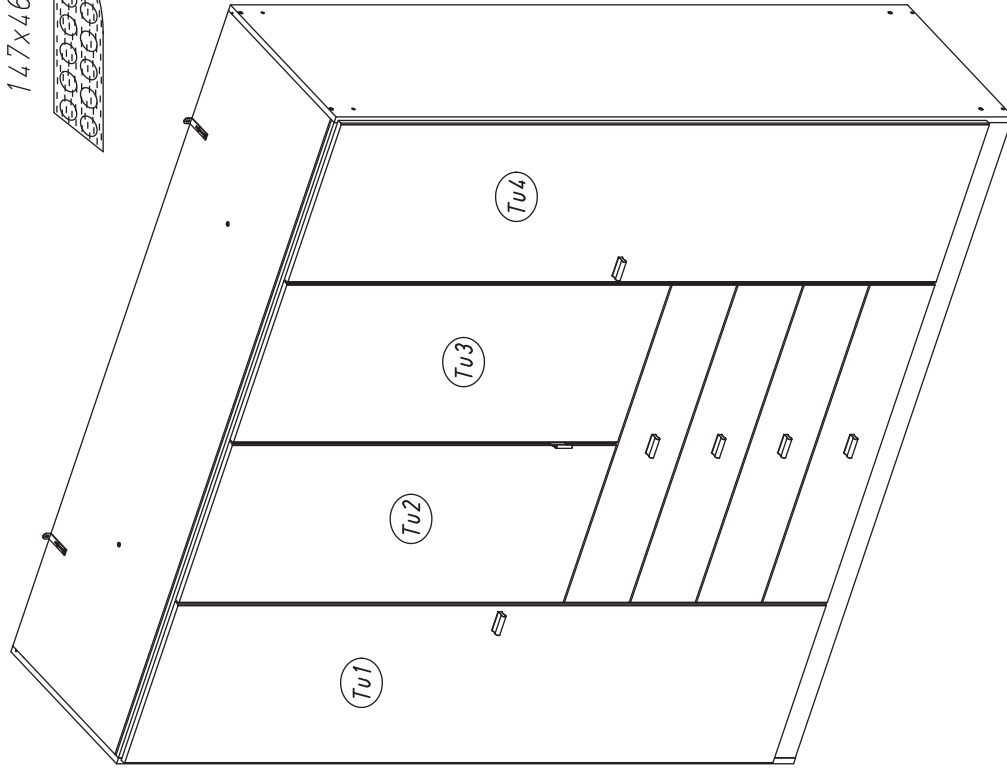
Ø5mm



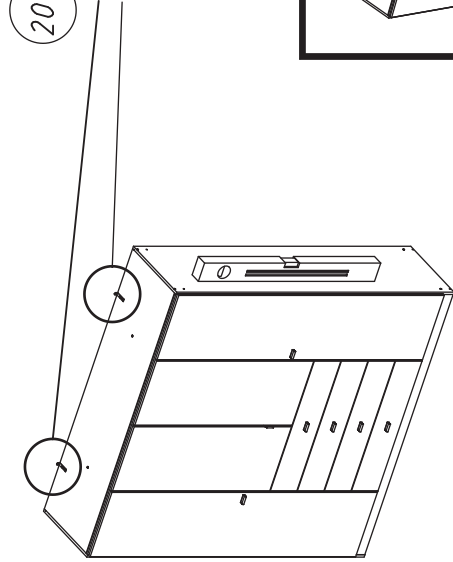
90°



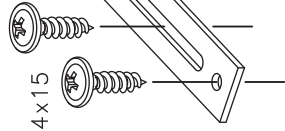
ABD-FOLIE  
147x46



2.

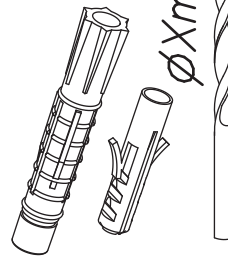
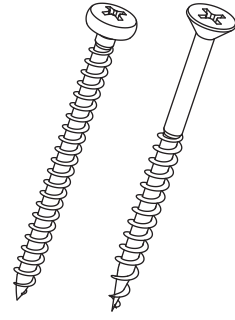
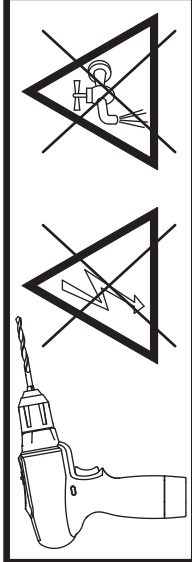
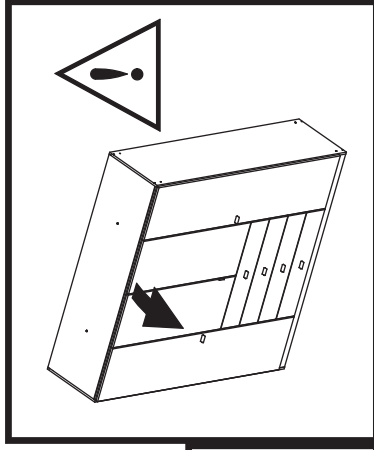


201 4x15

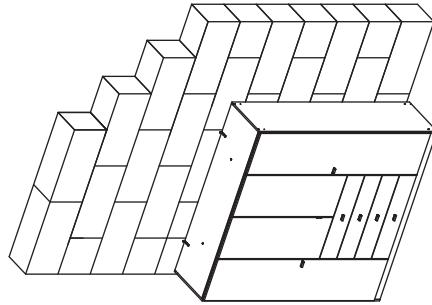
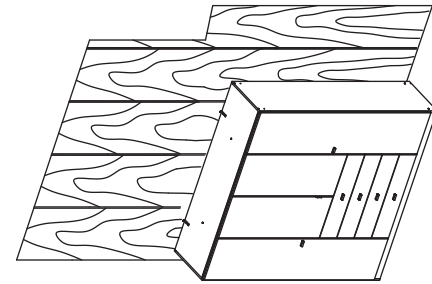
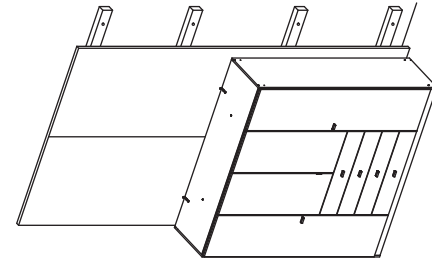
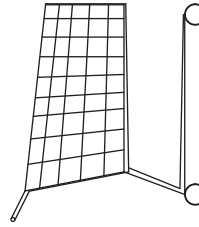


68

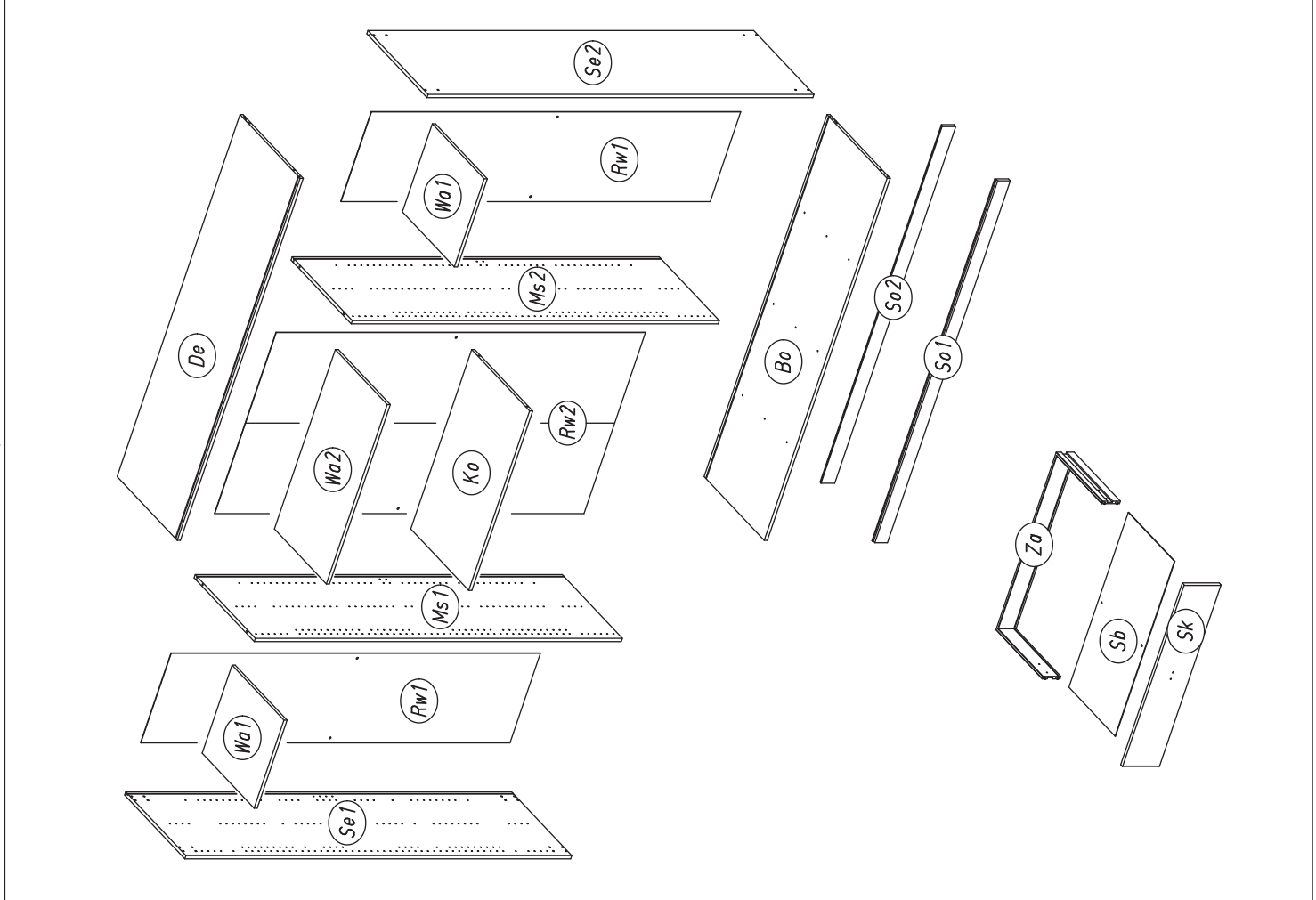
77x15x22



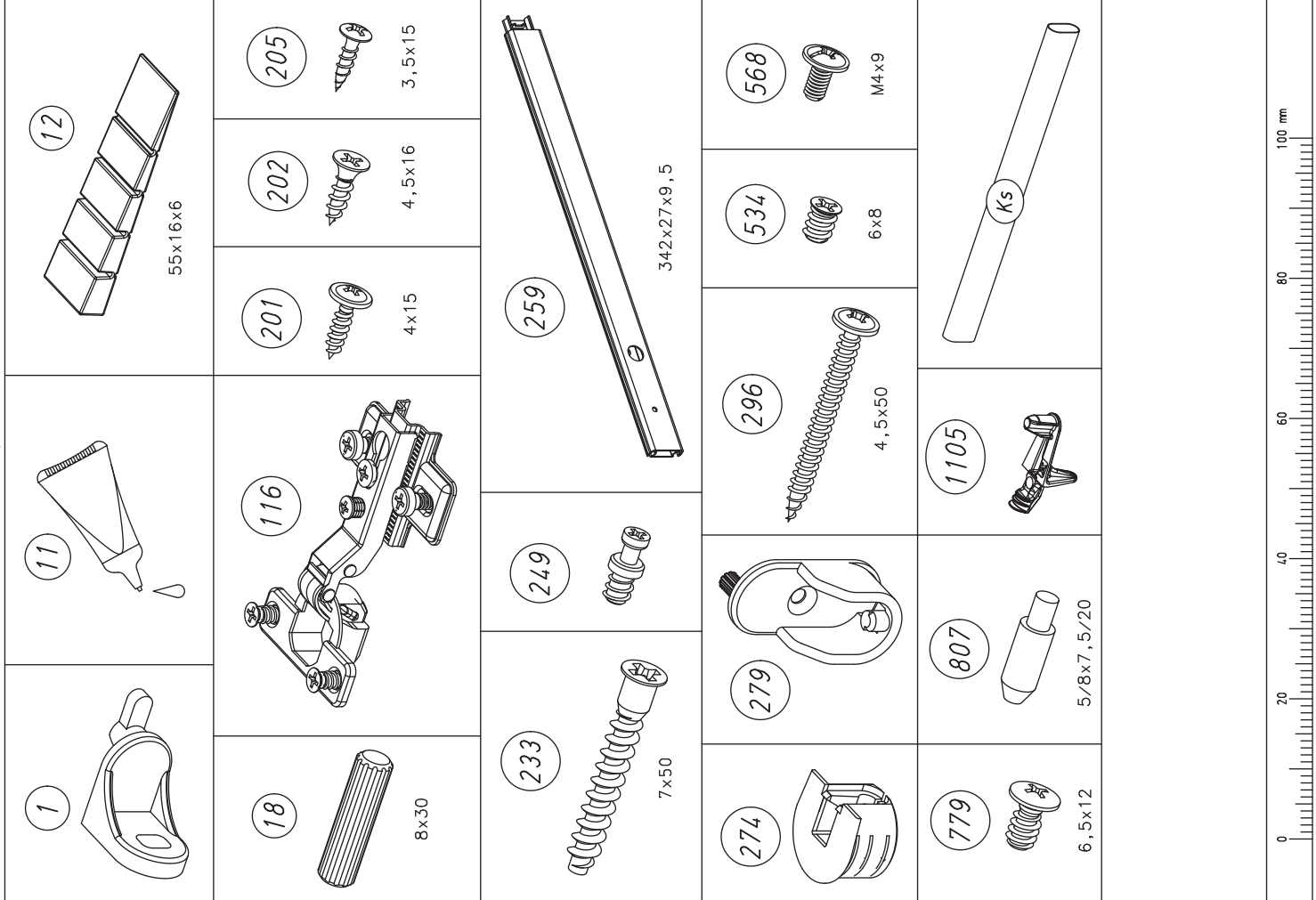
ØXmm

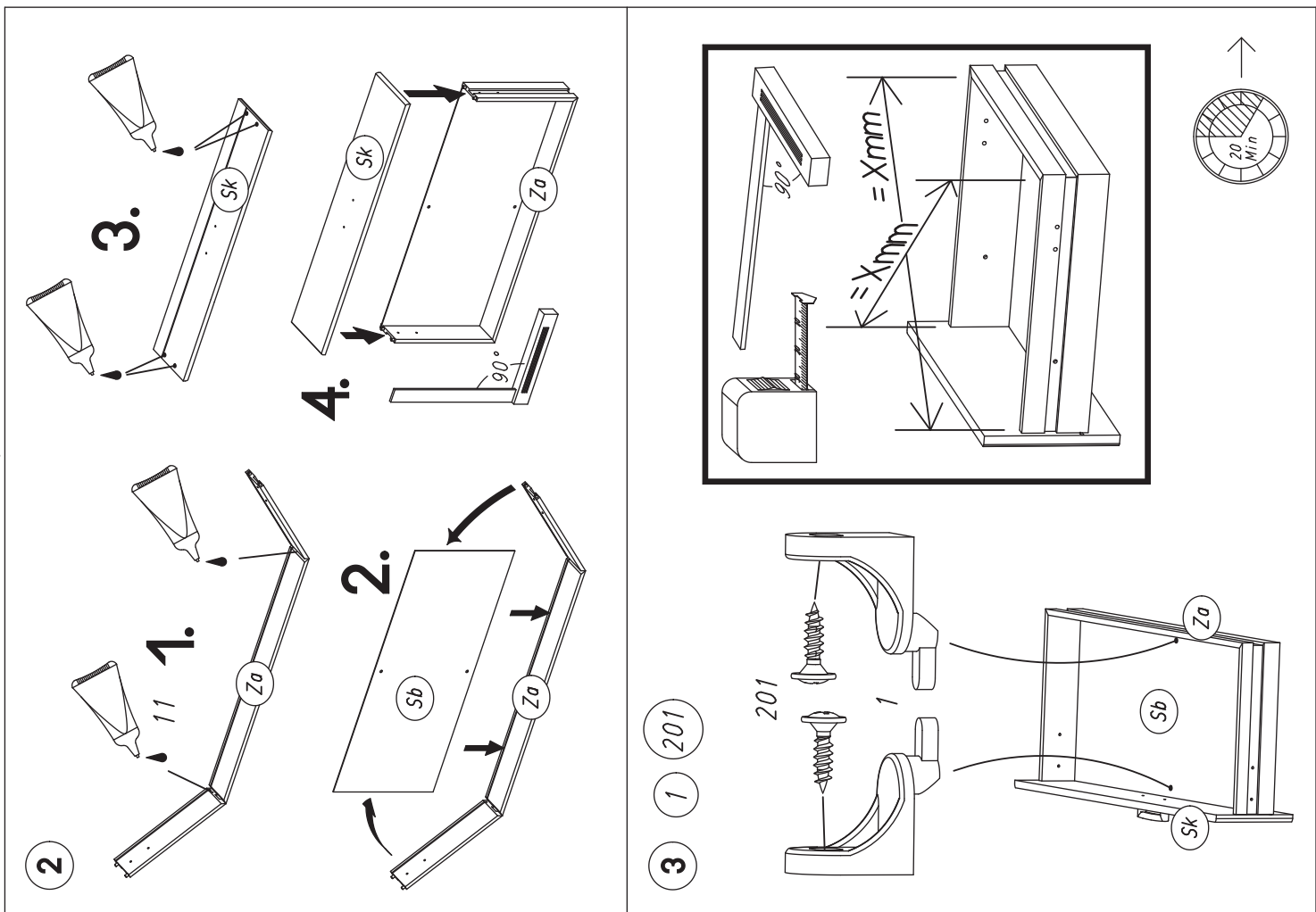
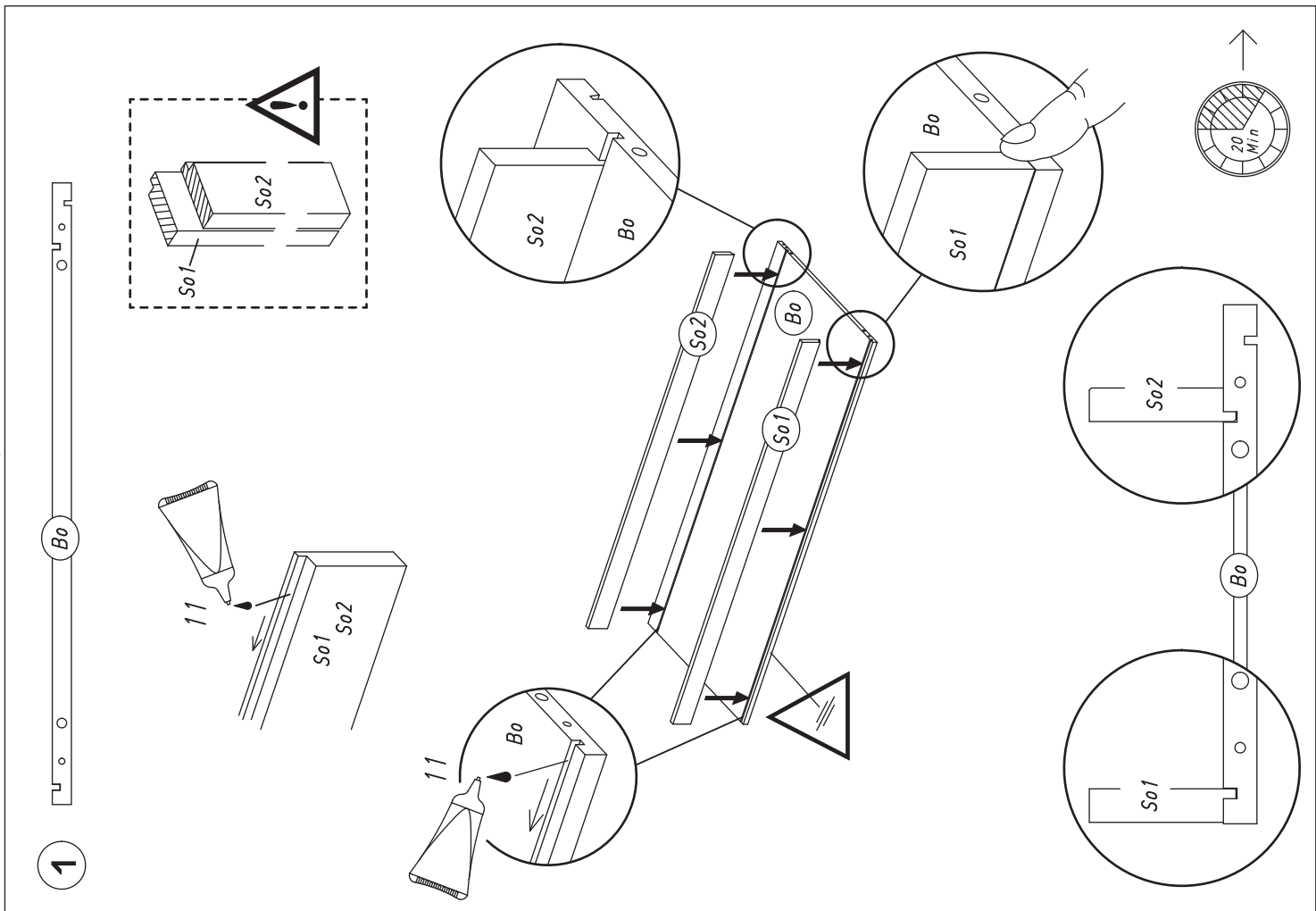


3.



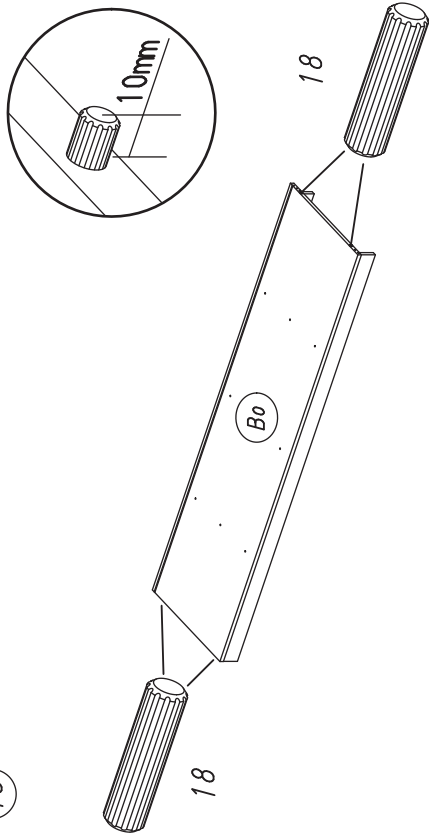
4.



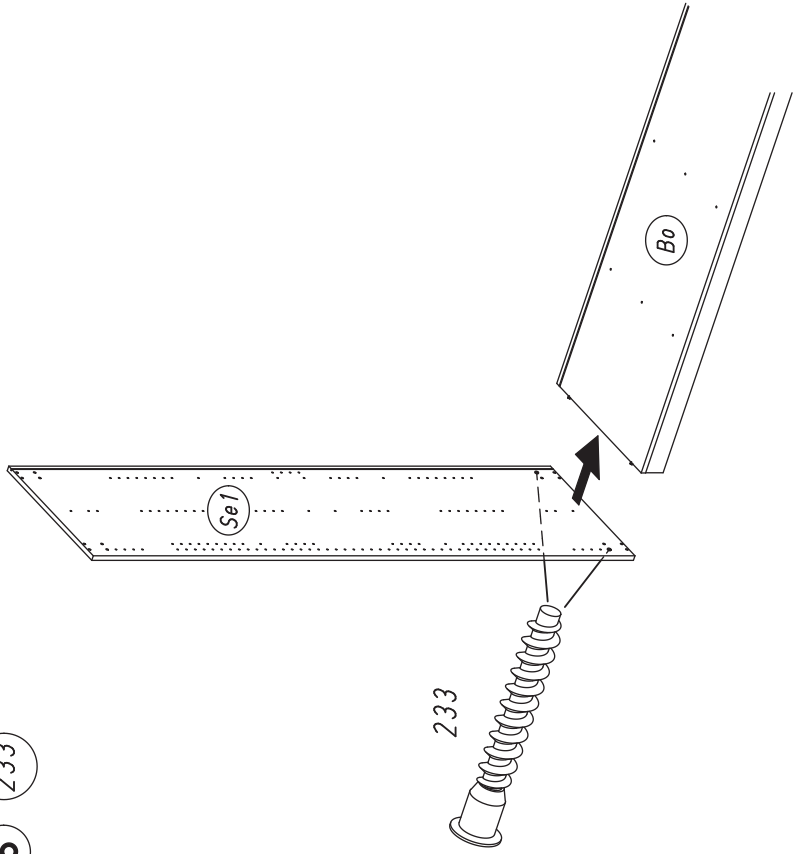


7.

4 (18)

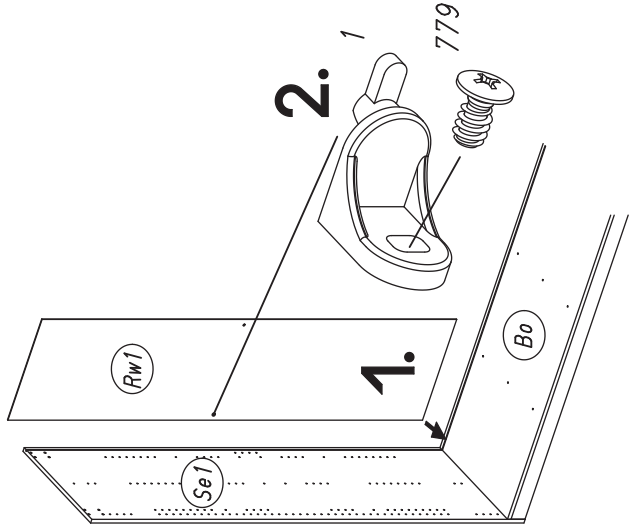


5 (233)

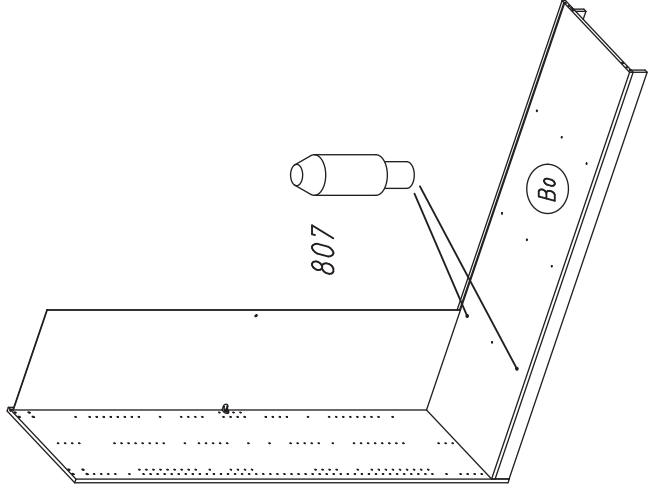


8.

6 (1) (779)

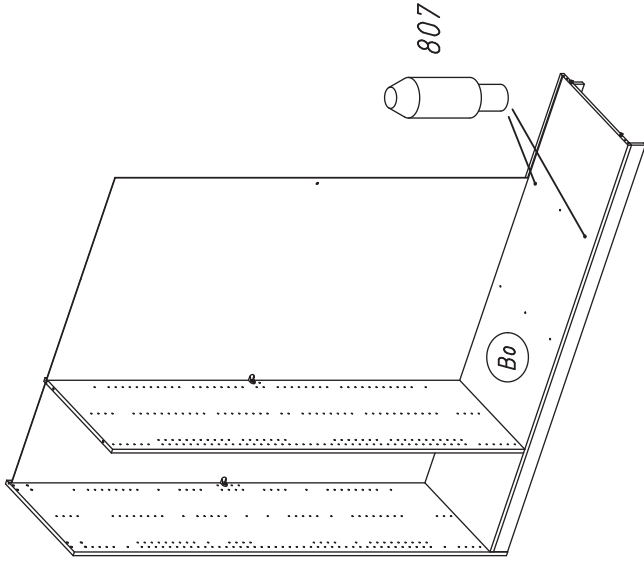


7 (807)

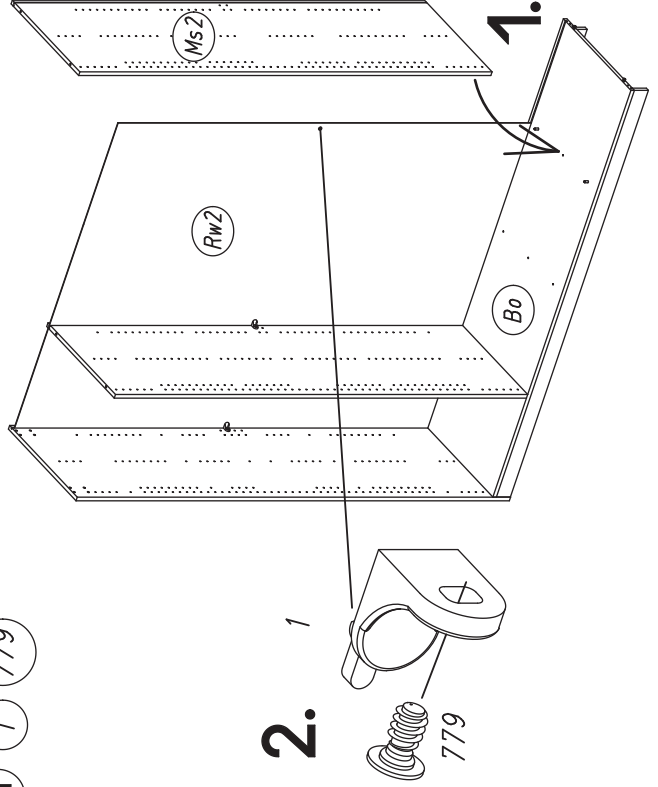


10.

10 807

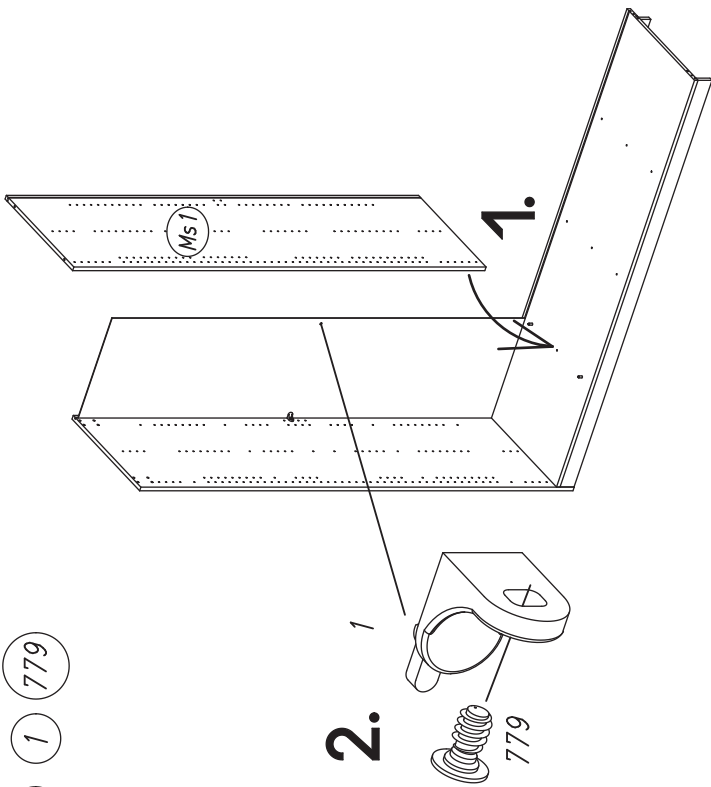


11 1 779

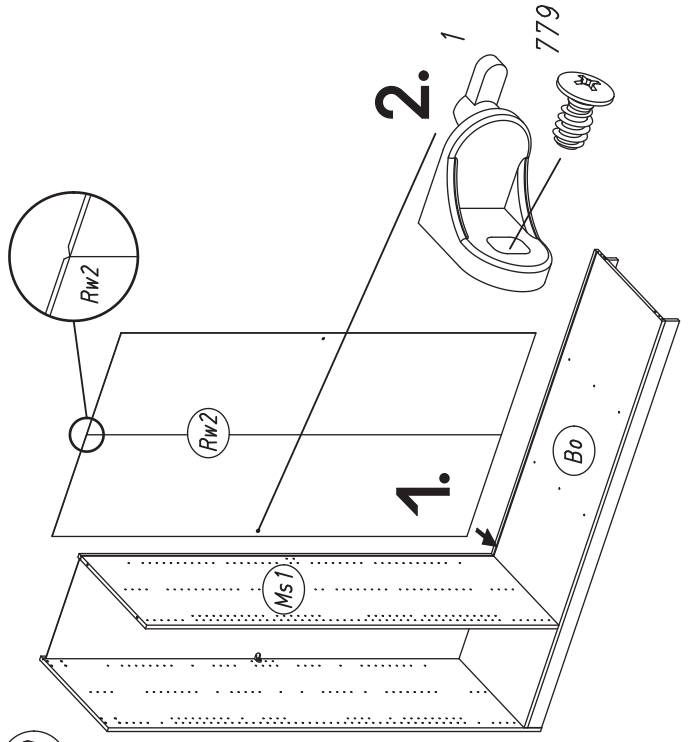


9.

8 1 779

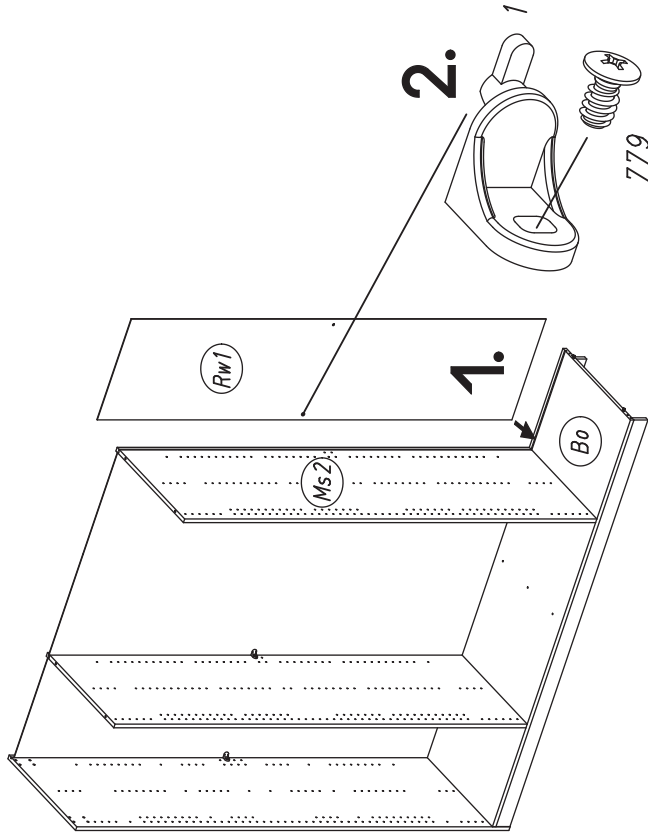


9 1 779

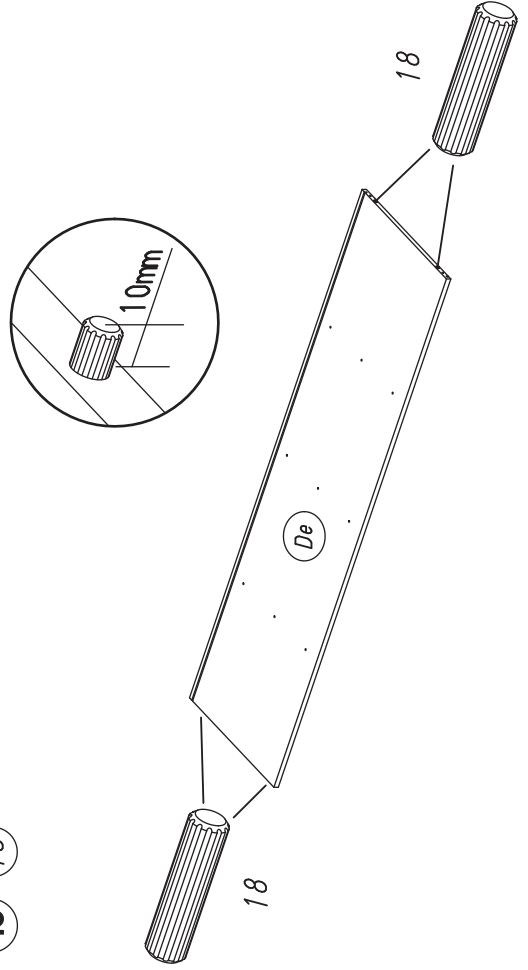


11.

12 1 779



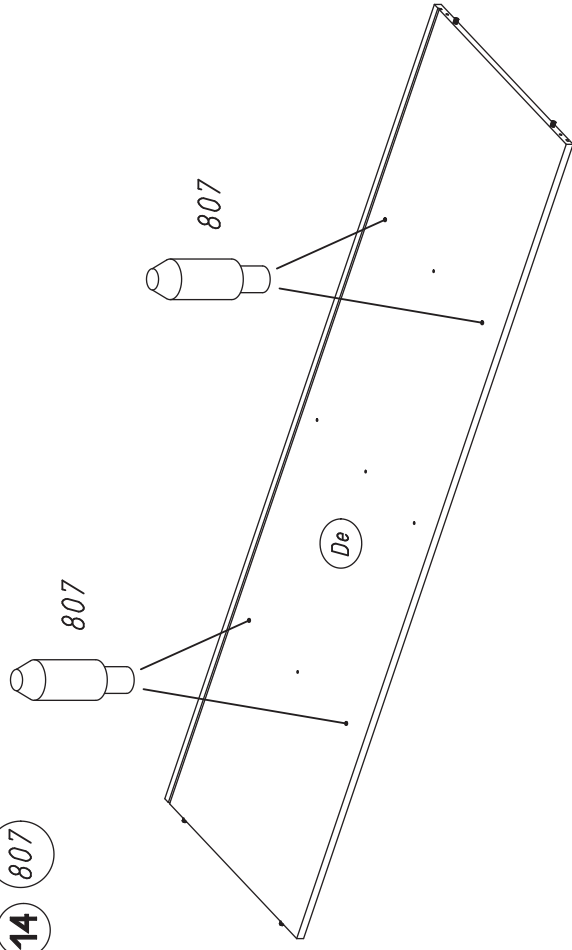
13 18



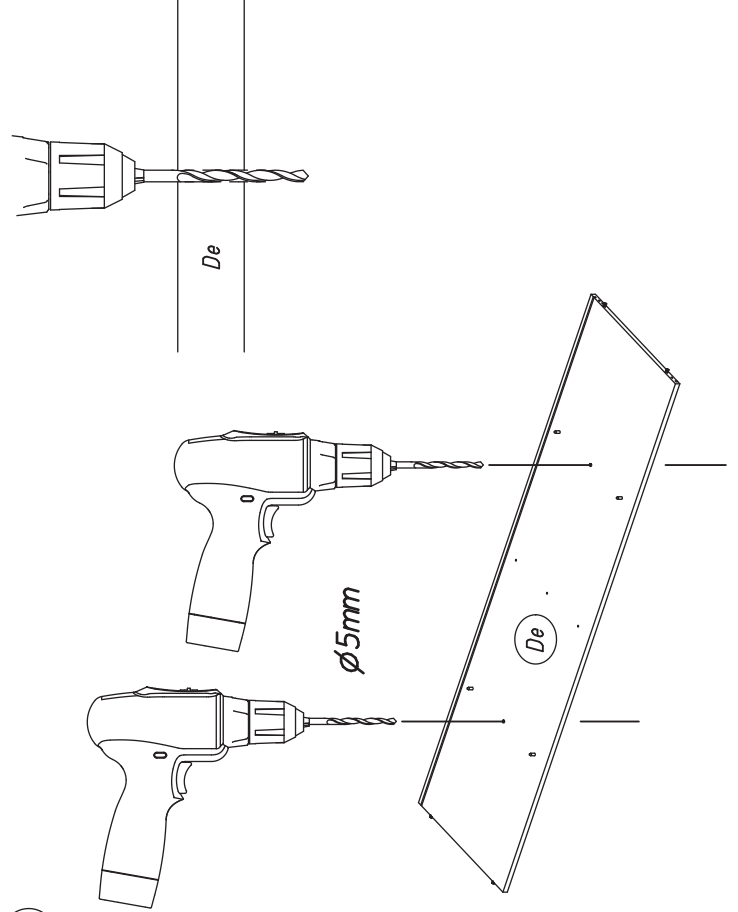
M1988

12.

14 807



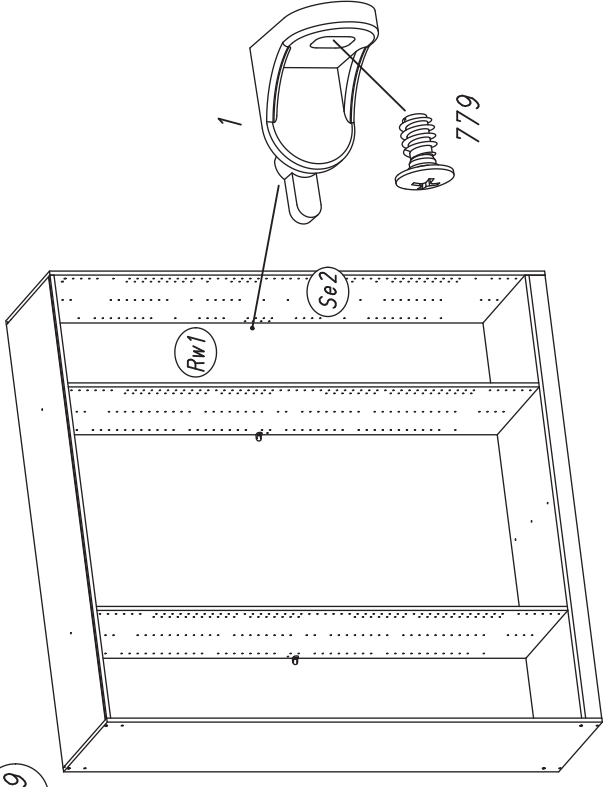
15



M1988

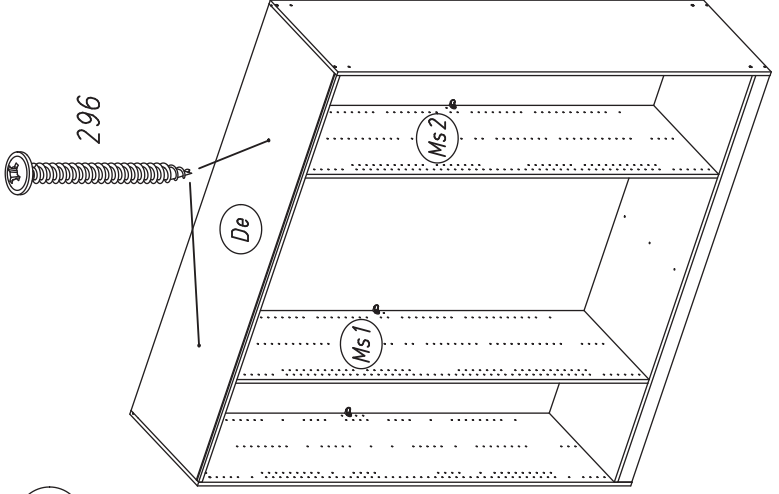
14.

18 1 779



19 296

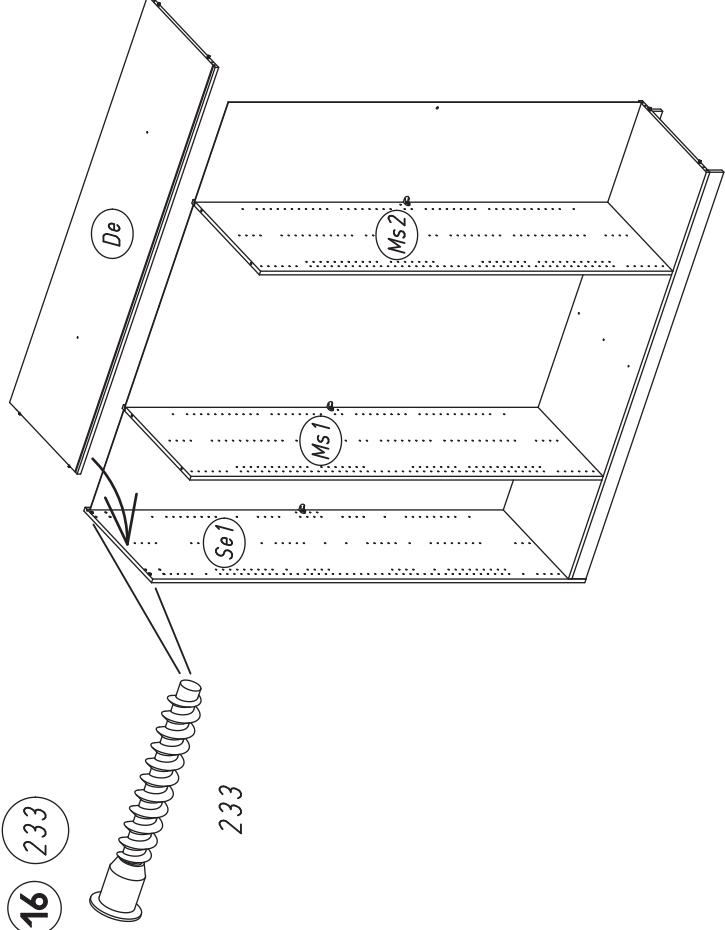
19 296



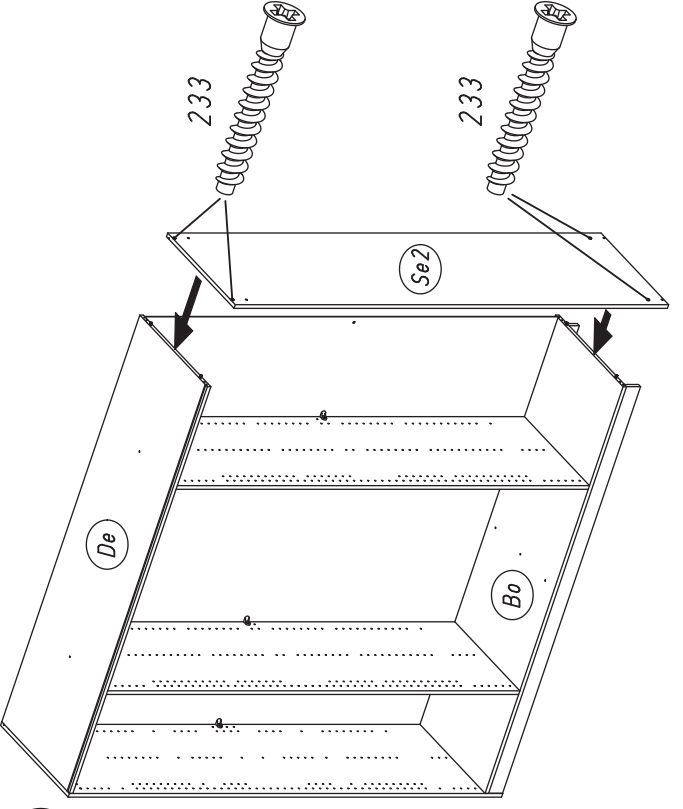
M1988

13.

16 233



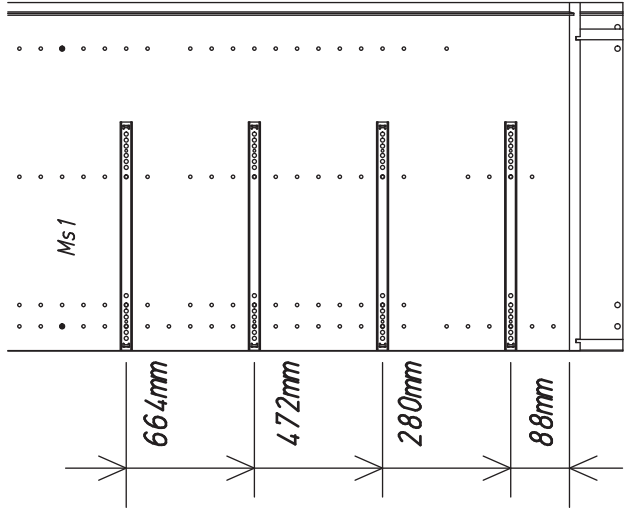
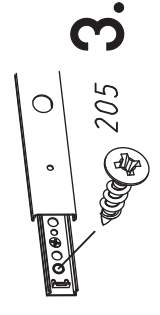
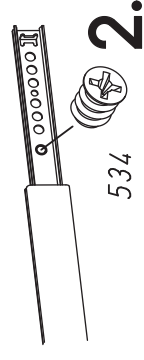
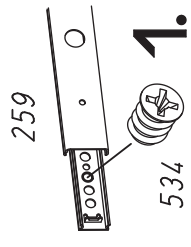
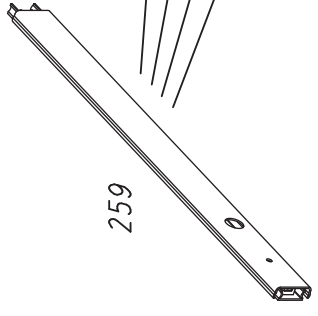
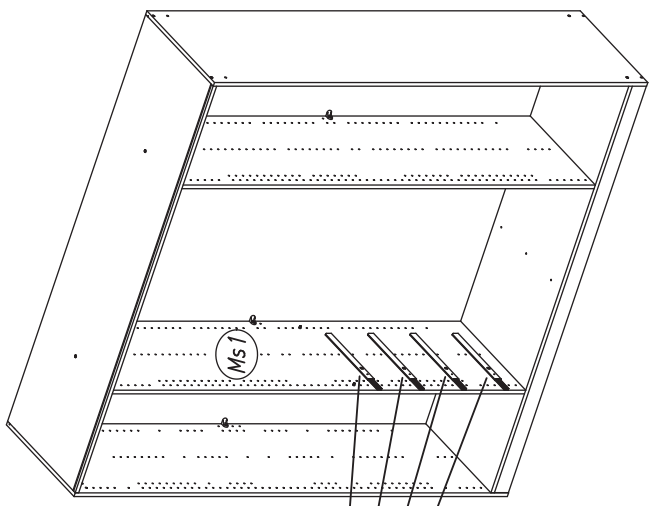
17 233



M1988

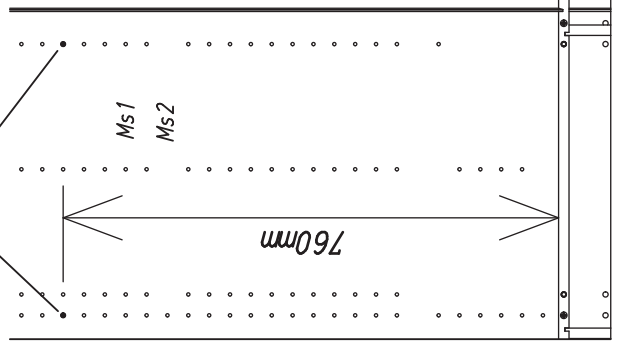
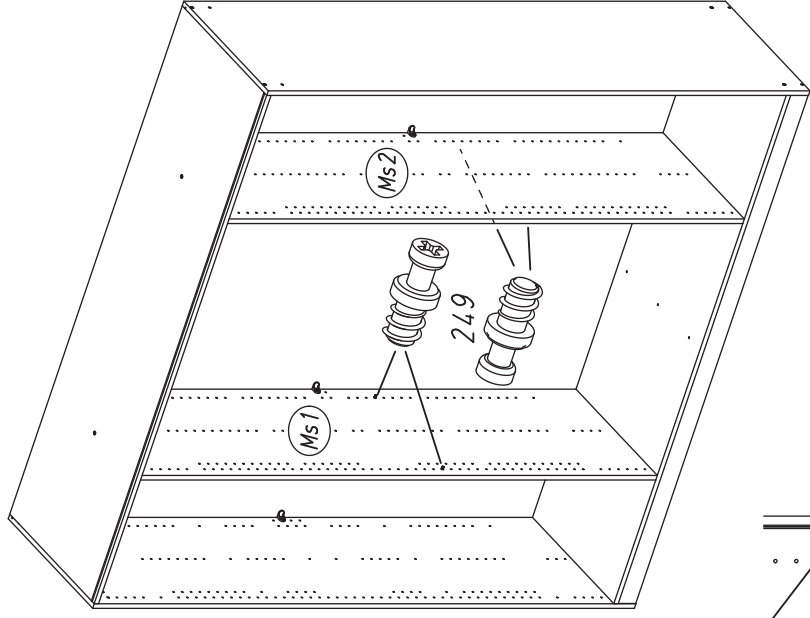
16.

- 21
- 259
- 534
- 205



15.

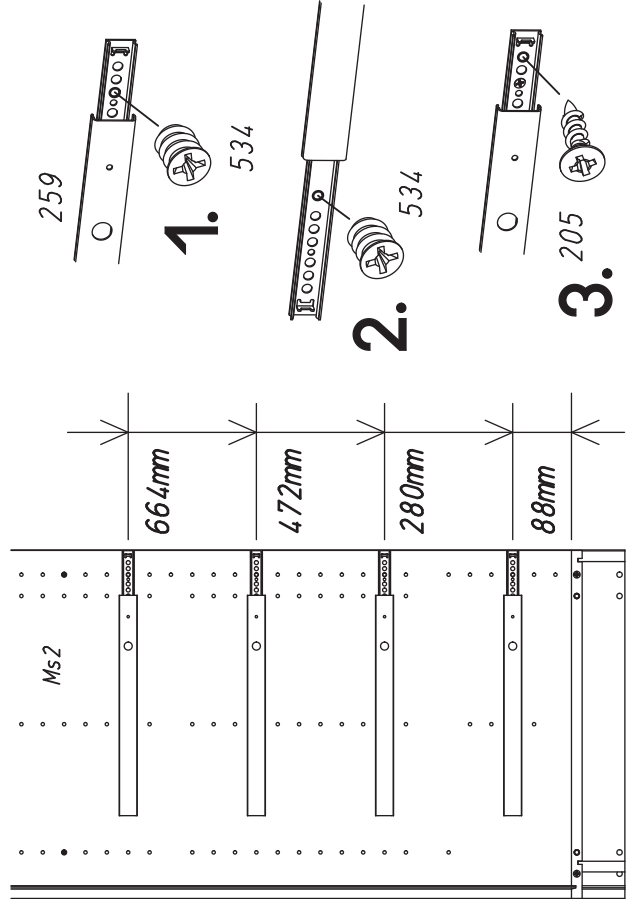
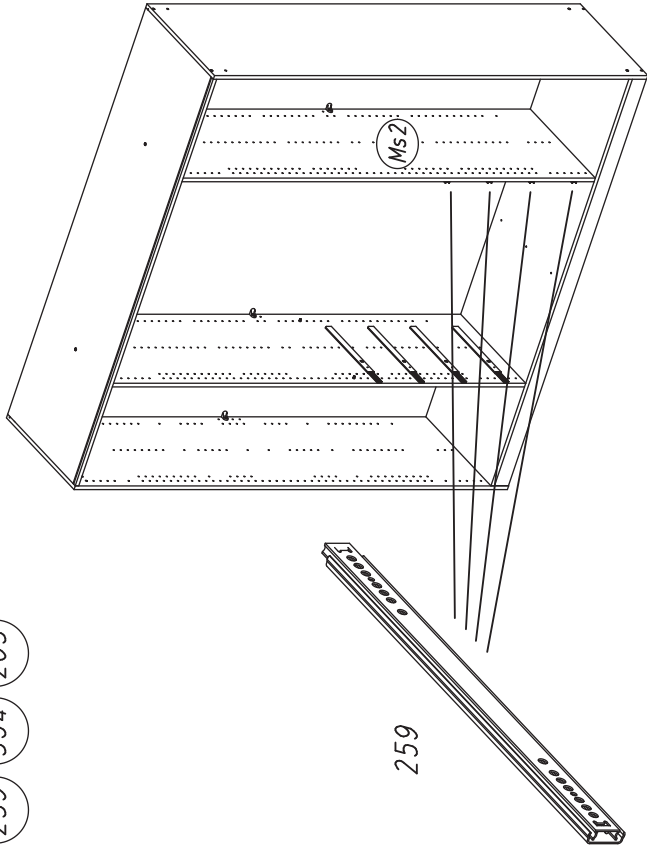
- 20
- 249





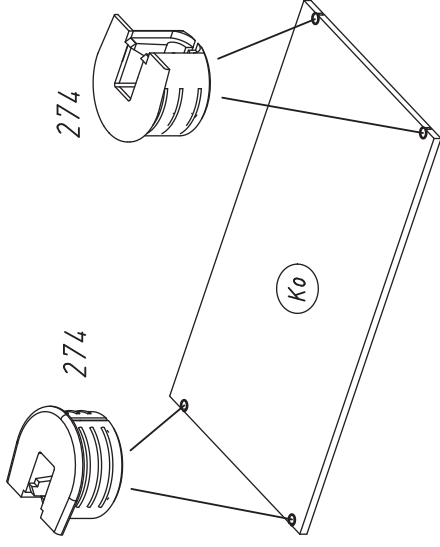
17.

- 22** 259 534 205

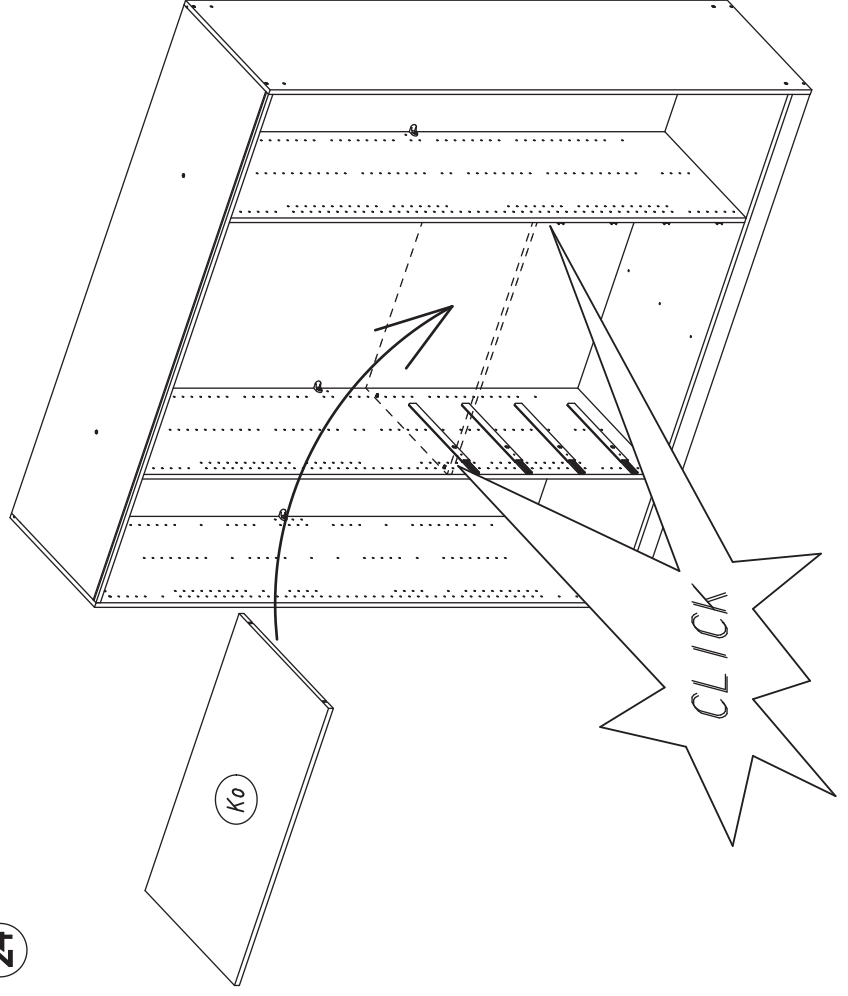


18.

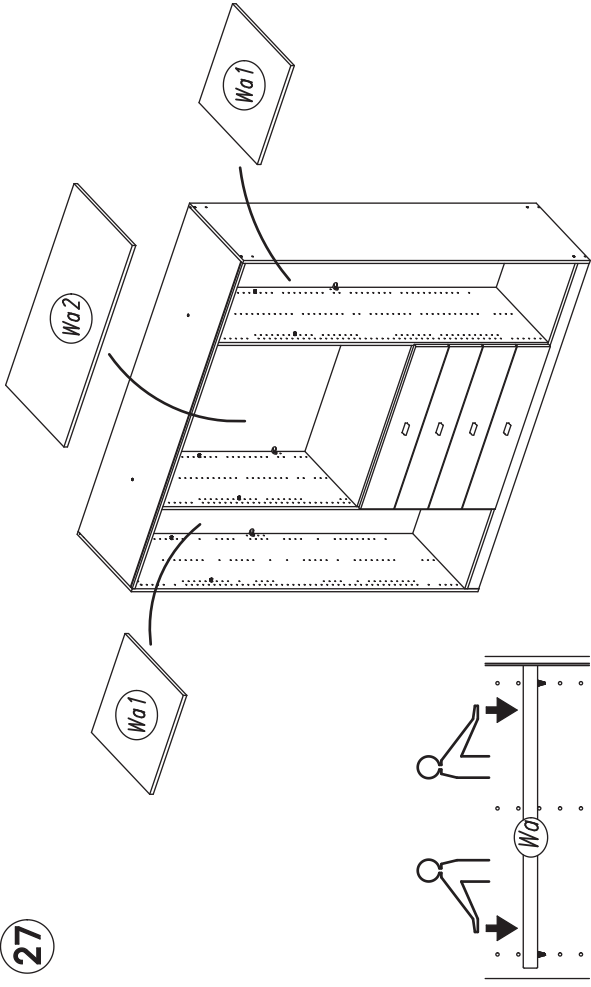
- 23** 274



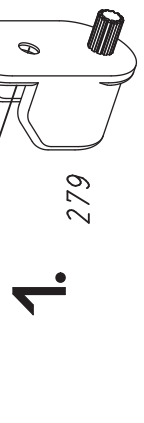
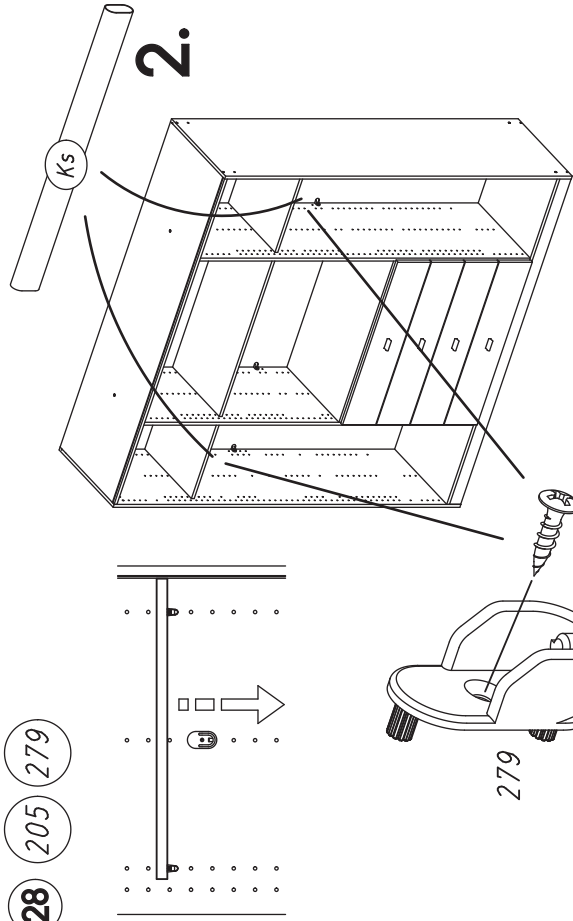
- 24**



20.

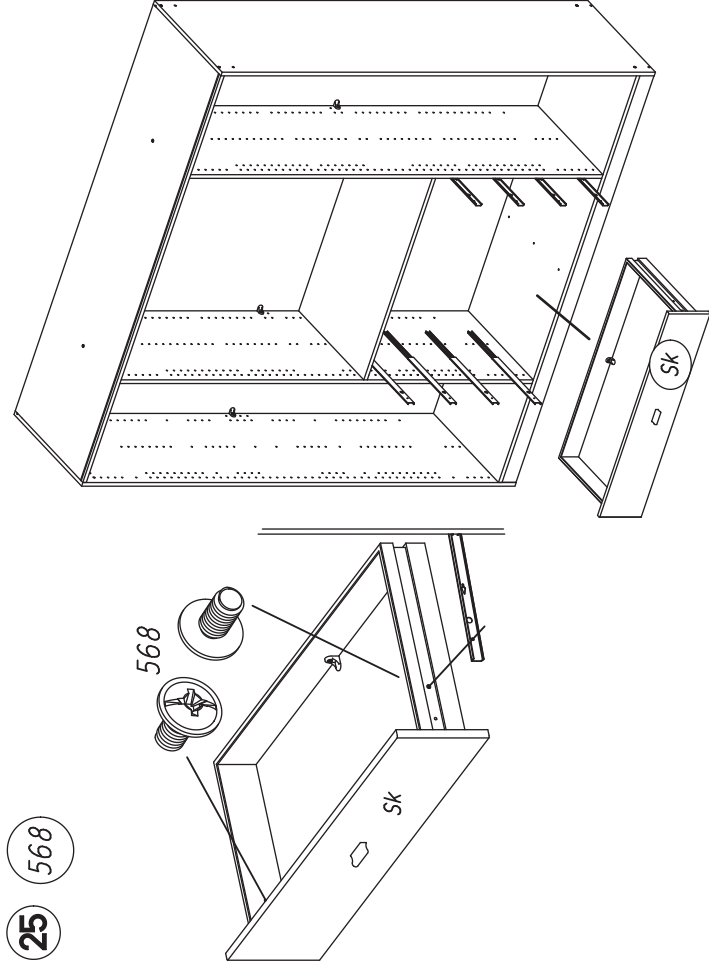


28 205 279

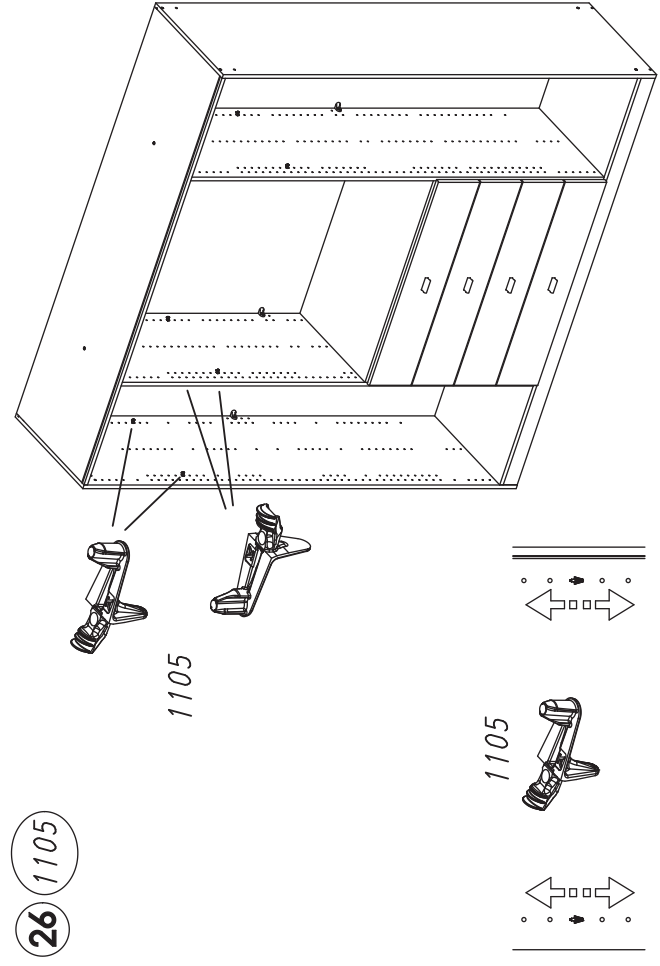


M1988

19.

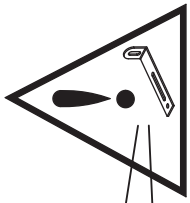


25 568

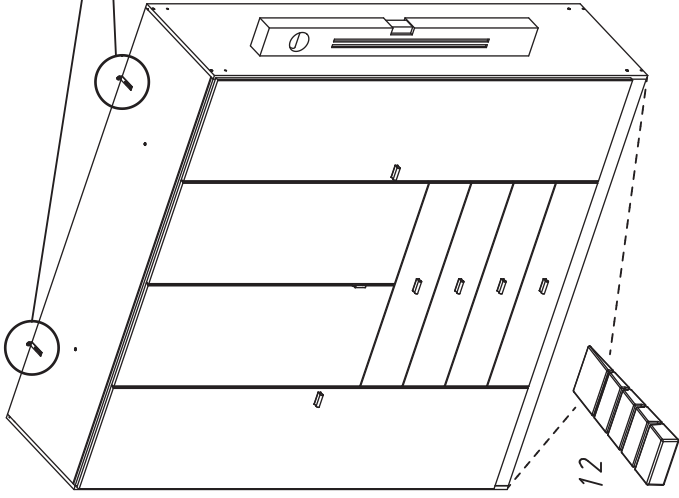


26 1105

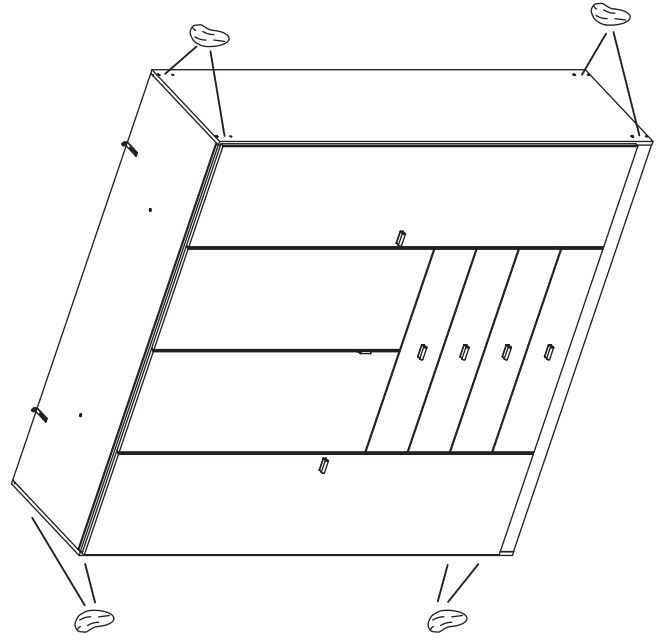
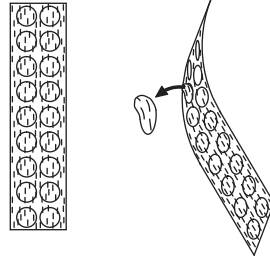
M1988



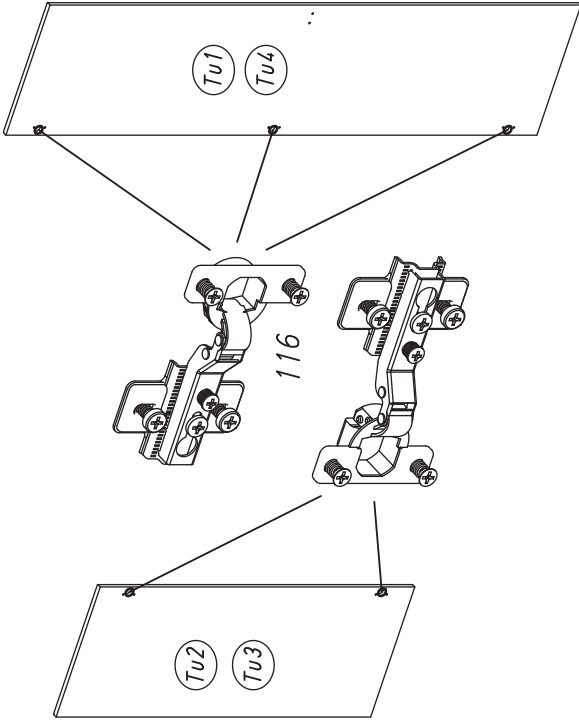
31 12



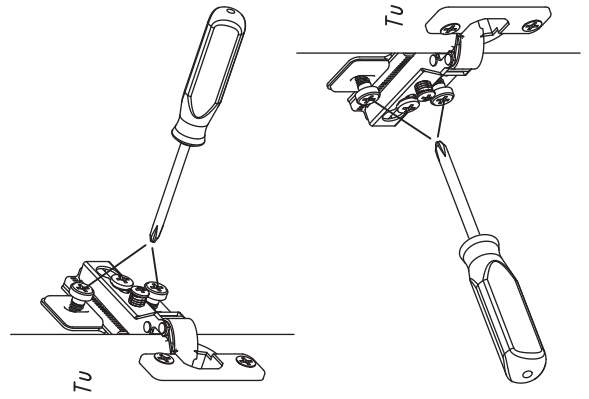
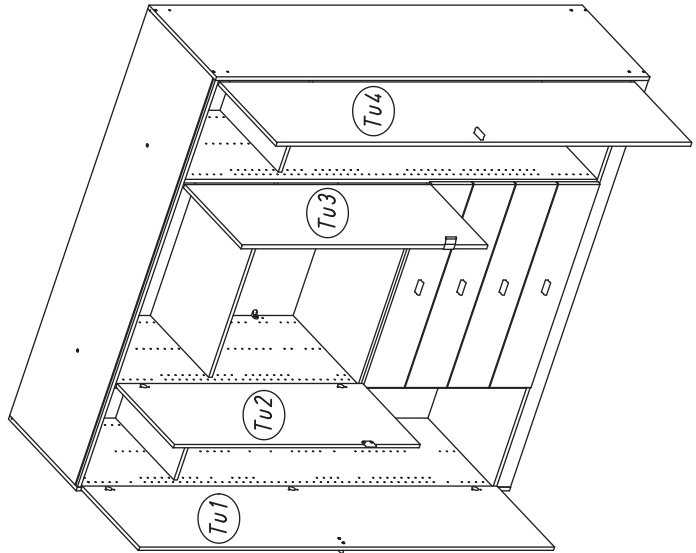
32 ABD-FOL IE 147x46

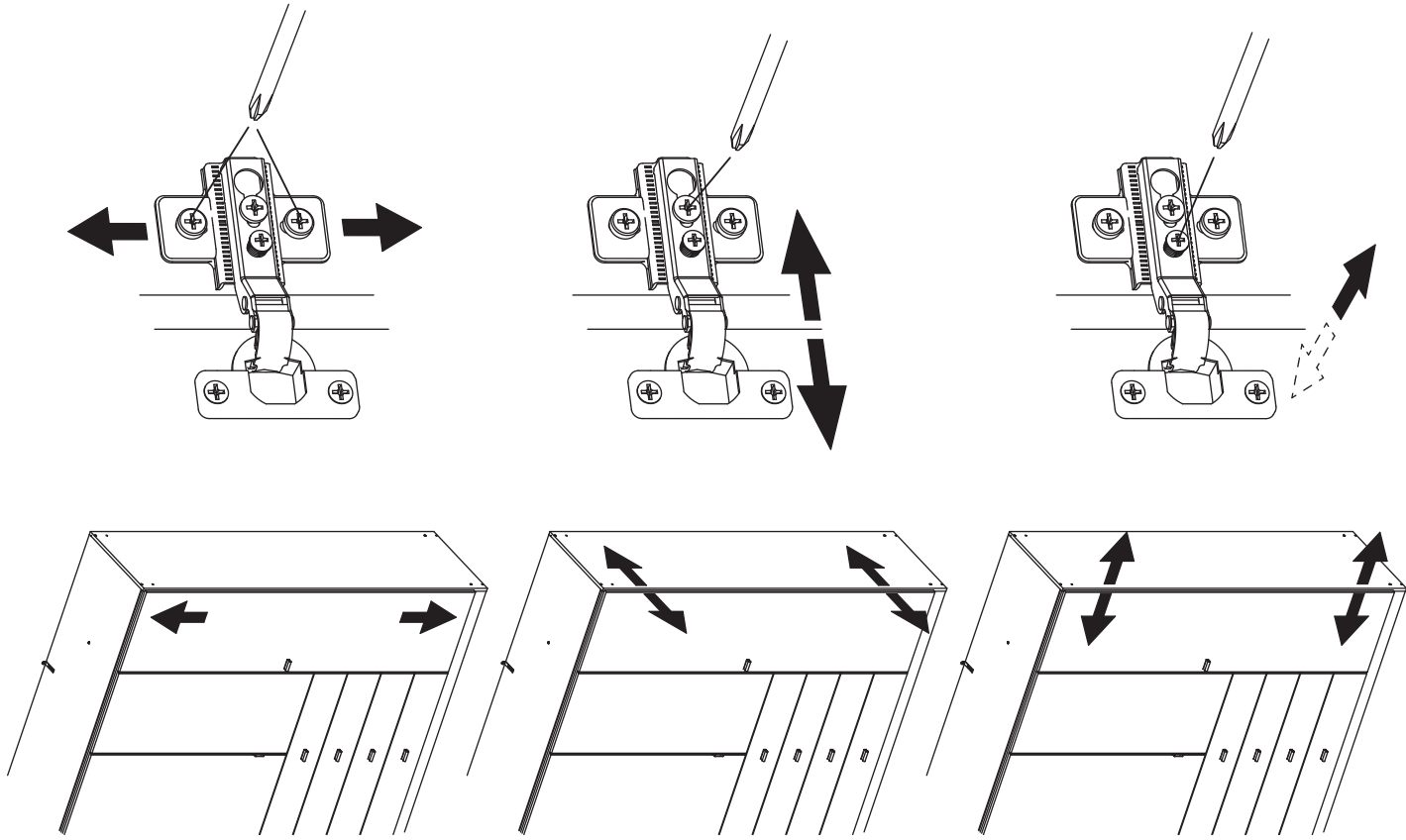


29 116



30

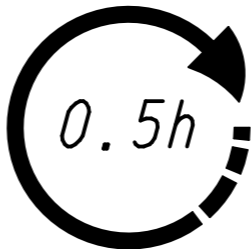
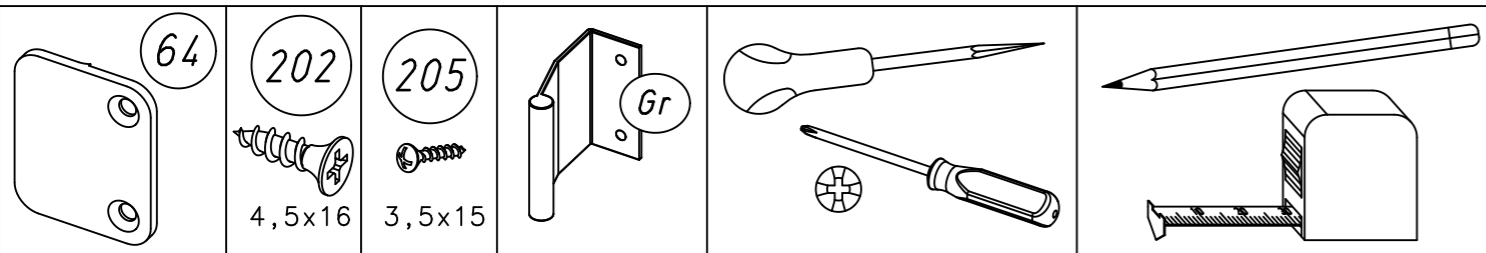




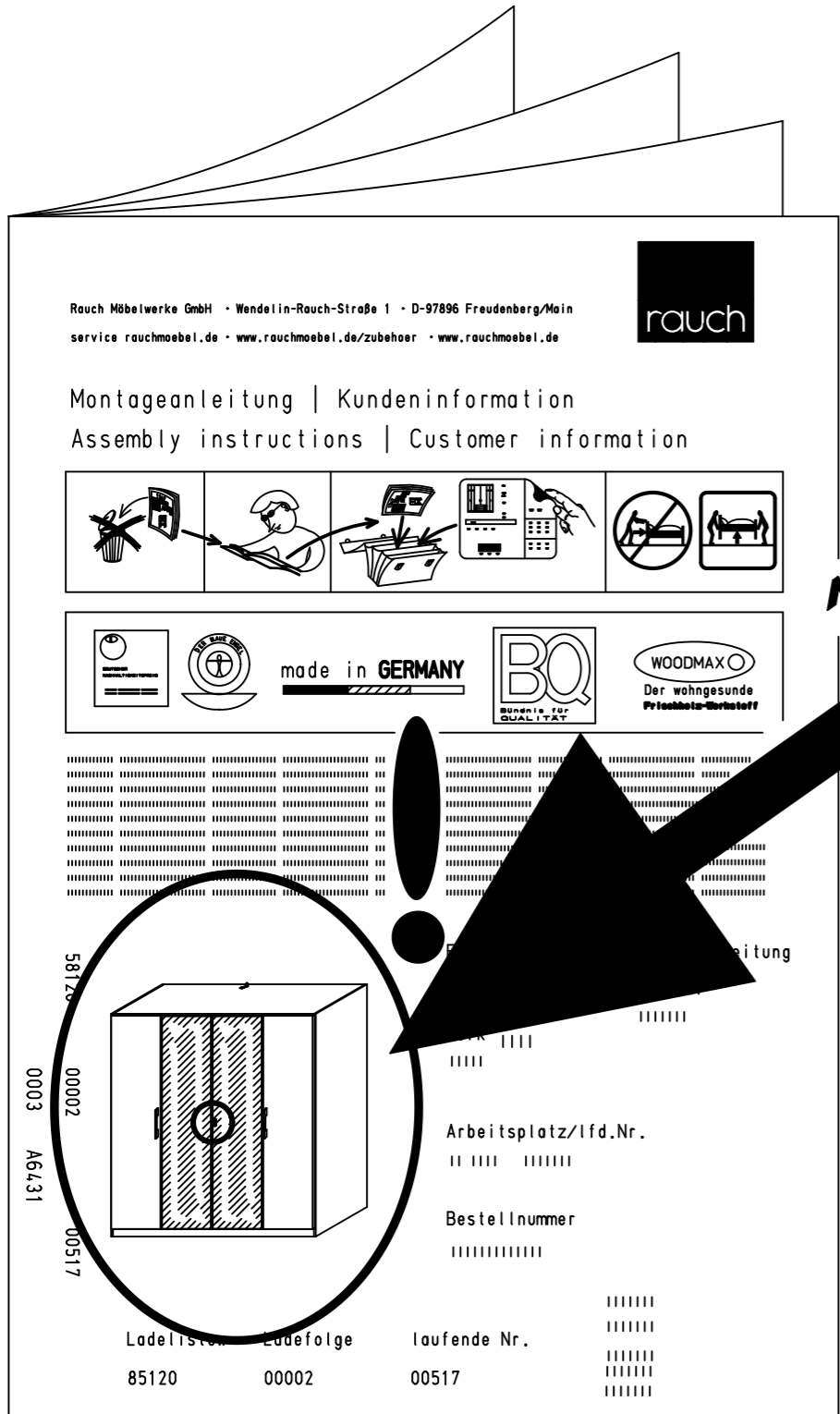
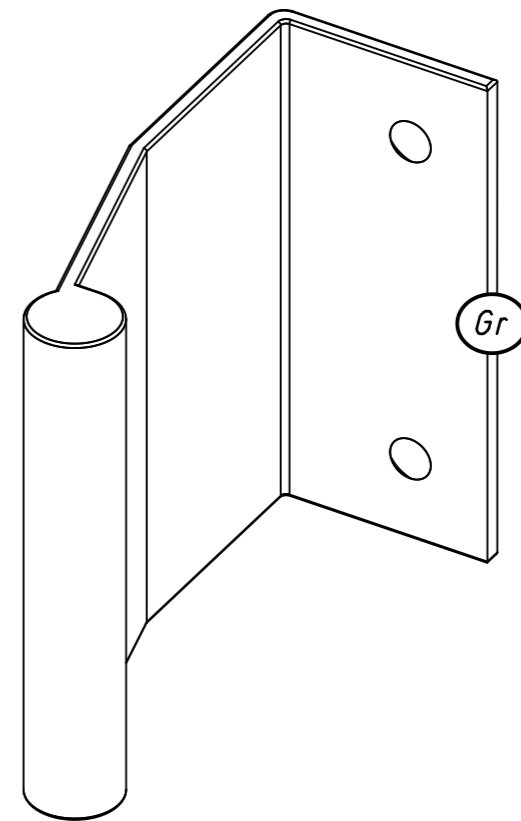
1.

ME480\_09

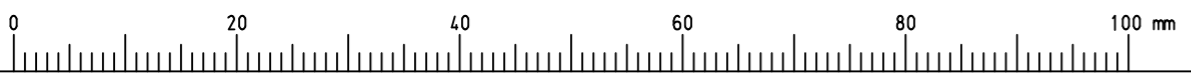
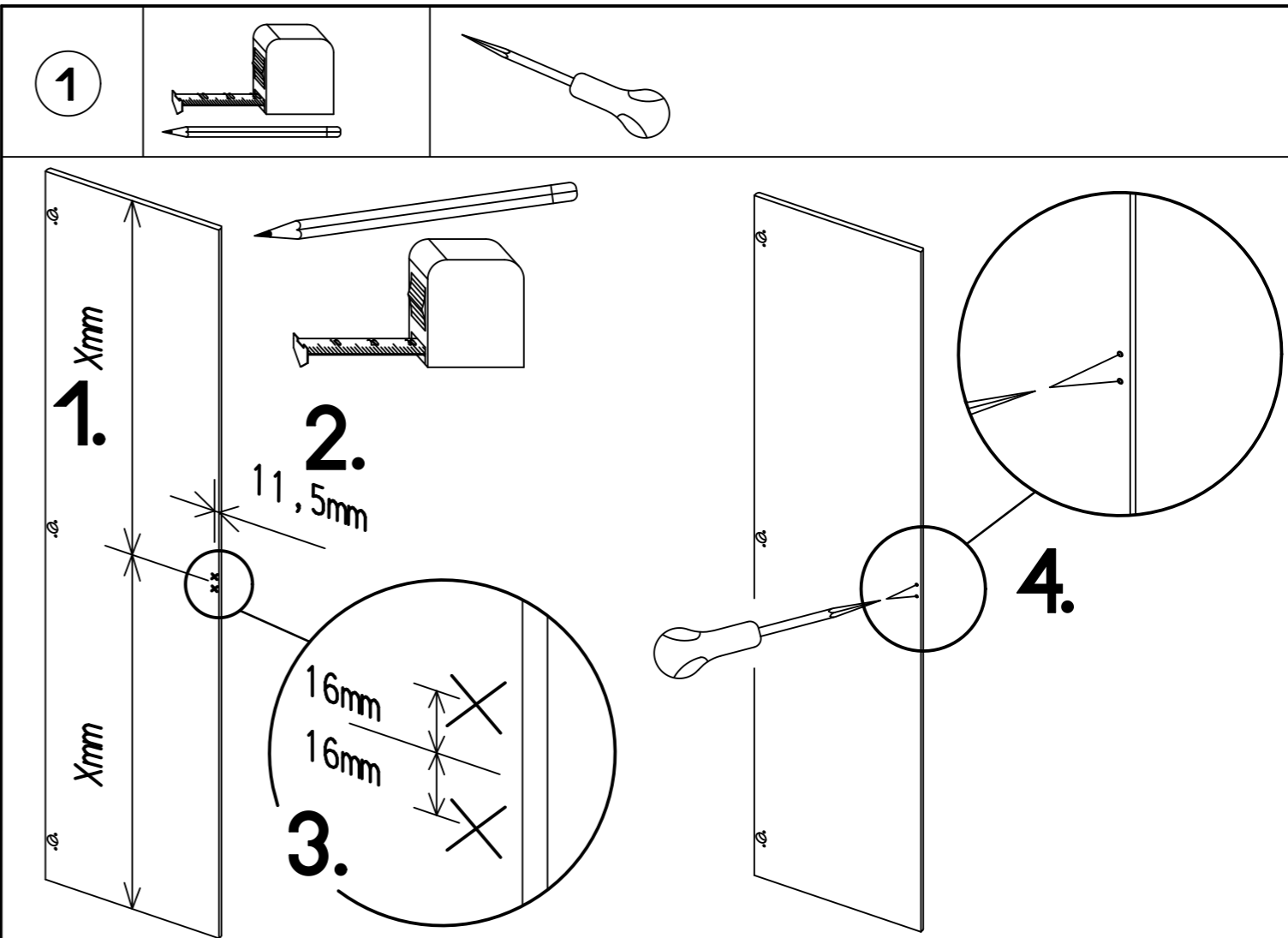
rauch



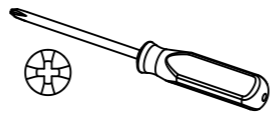
2.



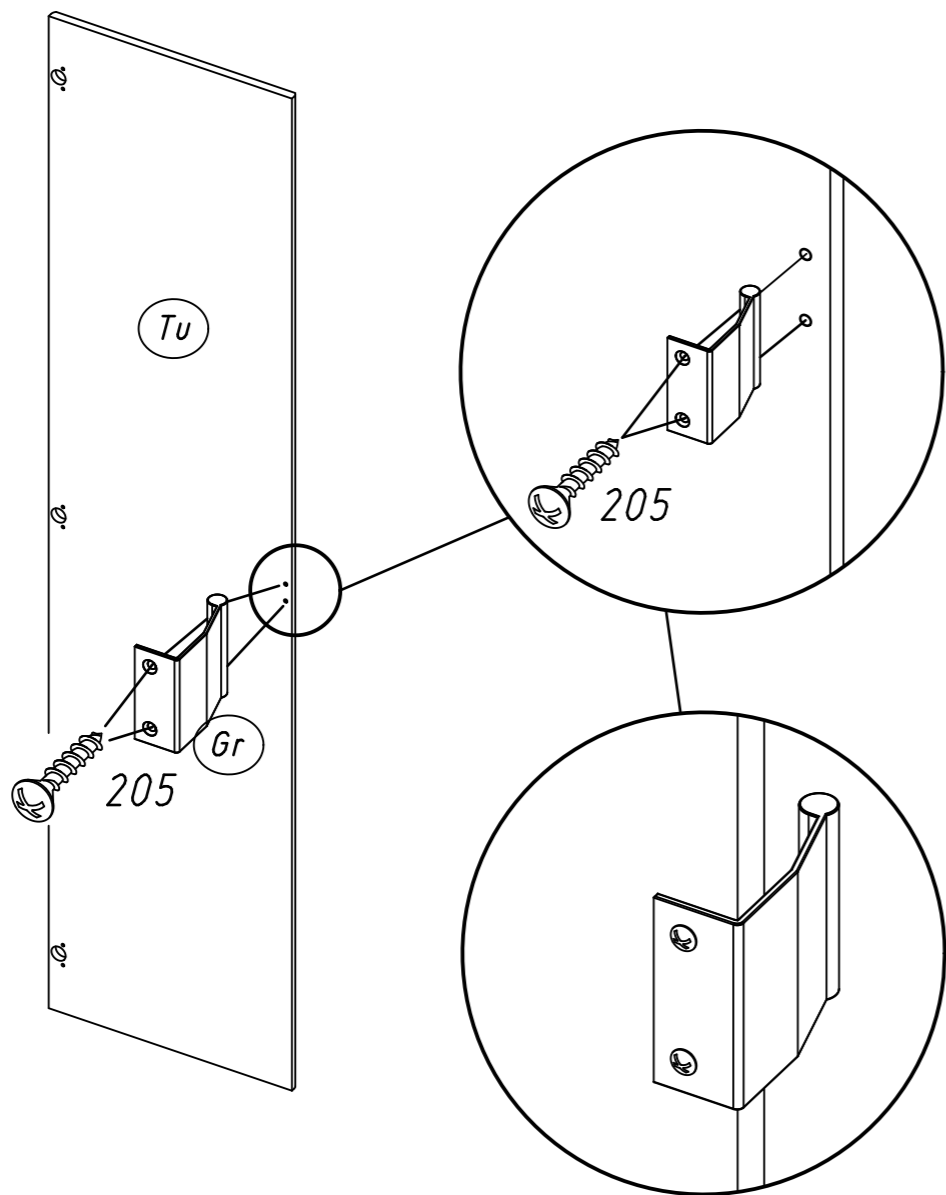
1...2...3...4...X Gr ?



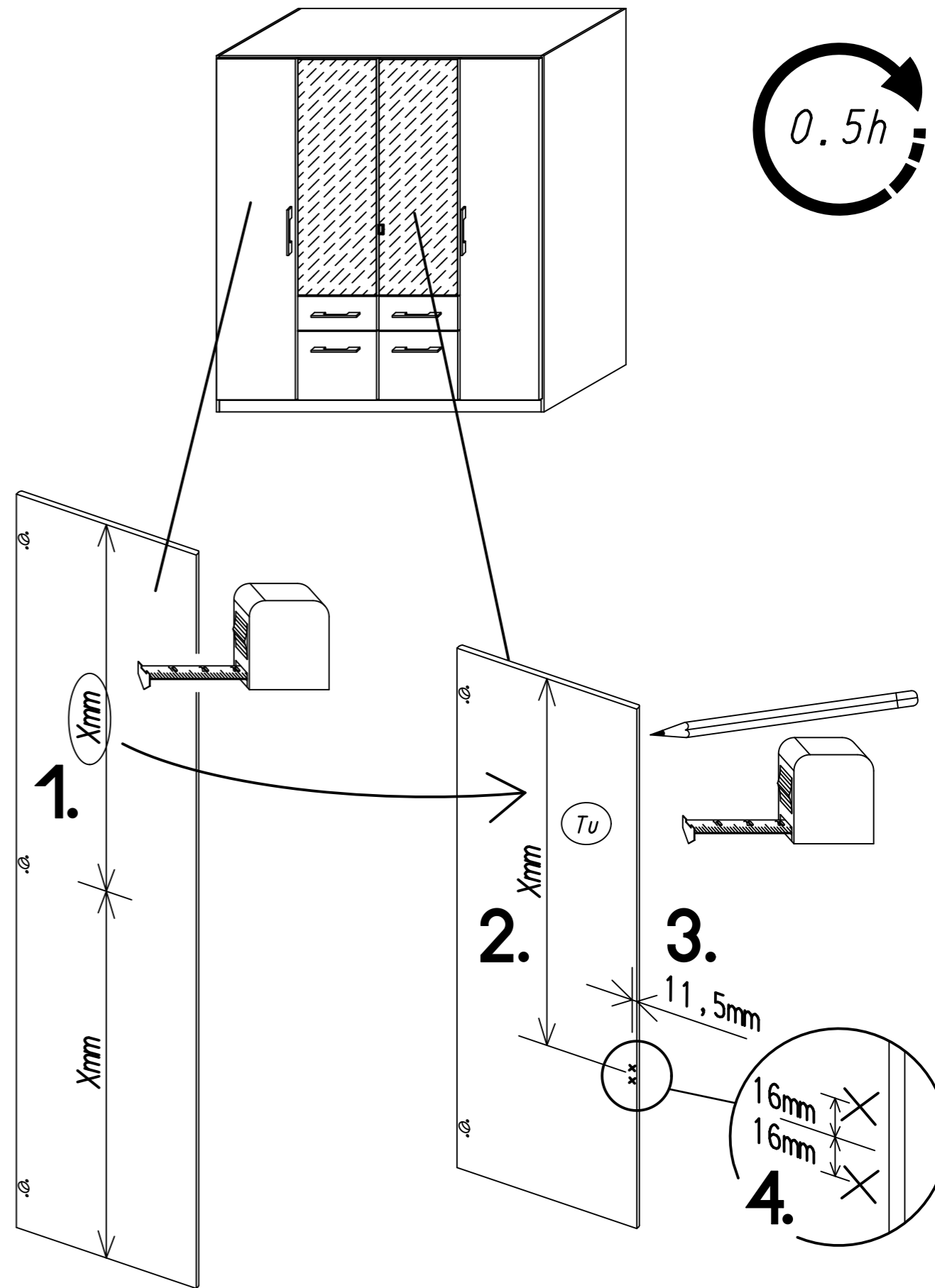
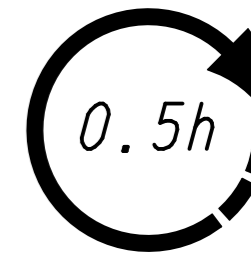
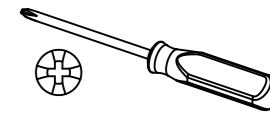
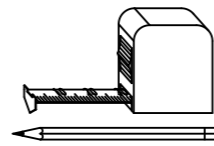
2



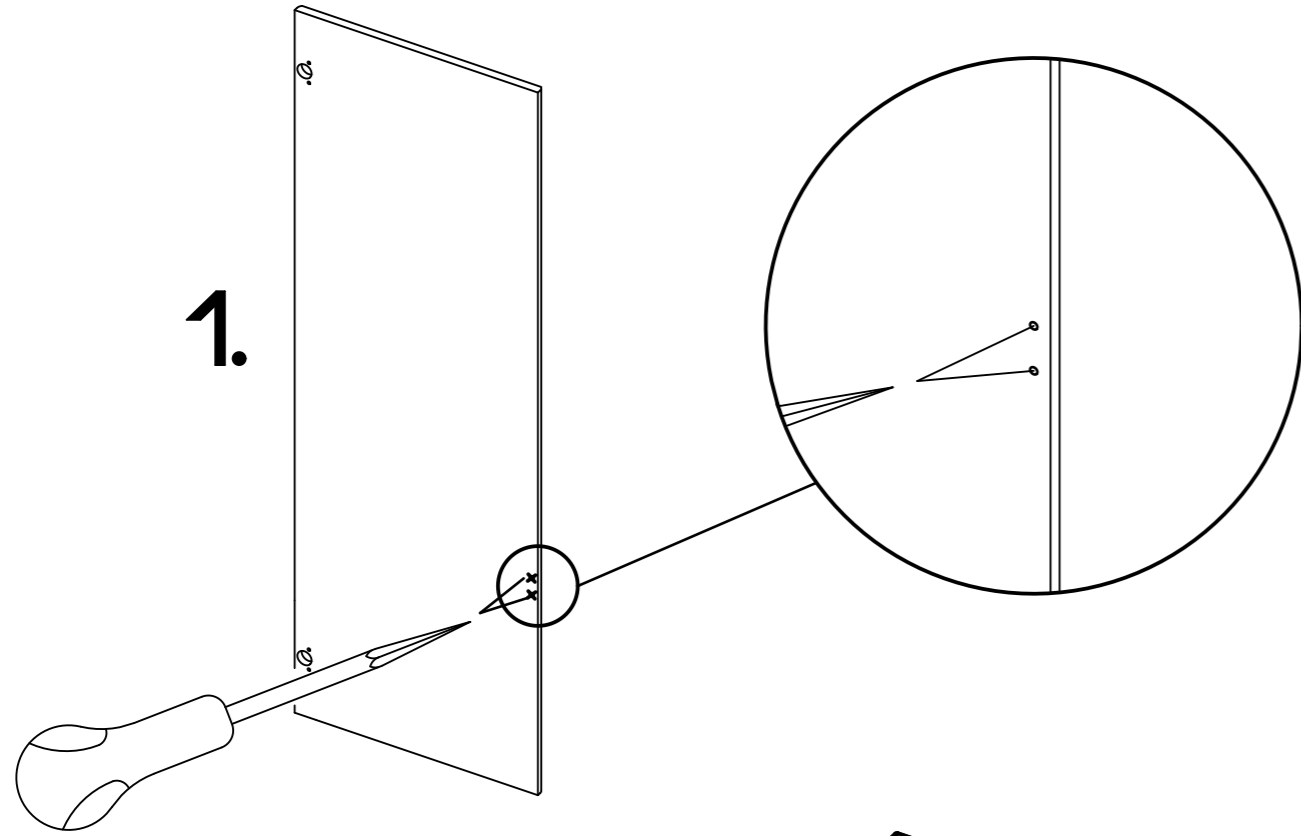
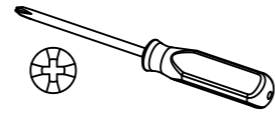
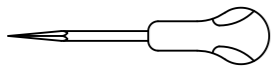
- 1x  $\textcircled{Tu}$  = 1x  $\textcircled{Gr}$  | 2x  $\textcircled{205}$
- 2x  $\textcircled{Tu}$  = 2x  $\textcircled{Gr}$  | 4x  $\textcircled{205}$
- 3x  $\textcircled{Tu}$  = 3x  $\textcircled{Gr}$  | 6x  $\textcircled{205}$
- ...



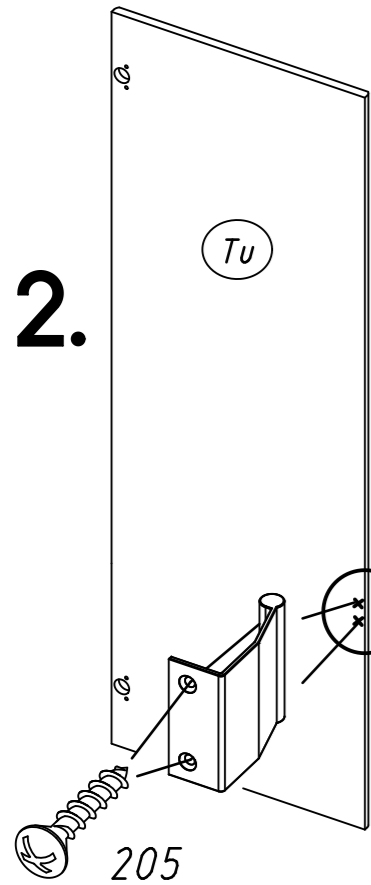
1



2



1.



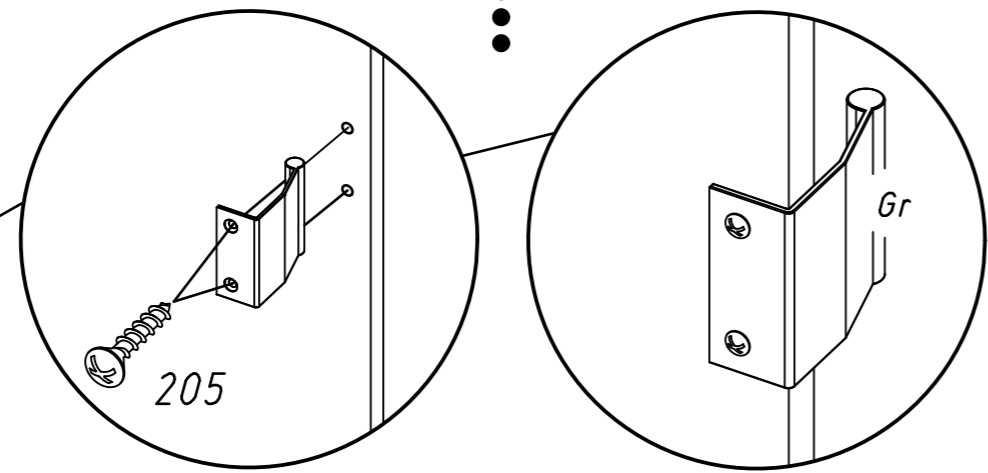
2.

1x (Tu) = 1x (Gr) | 2x (205)

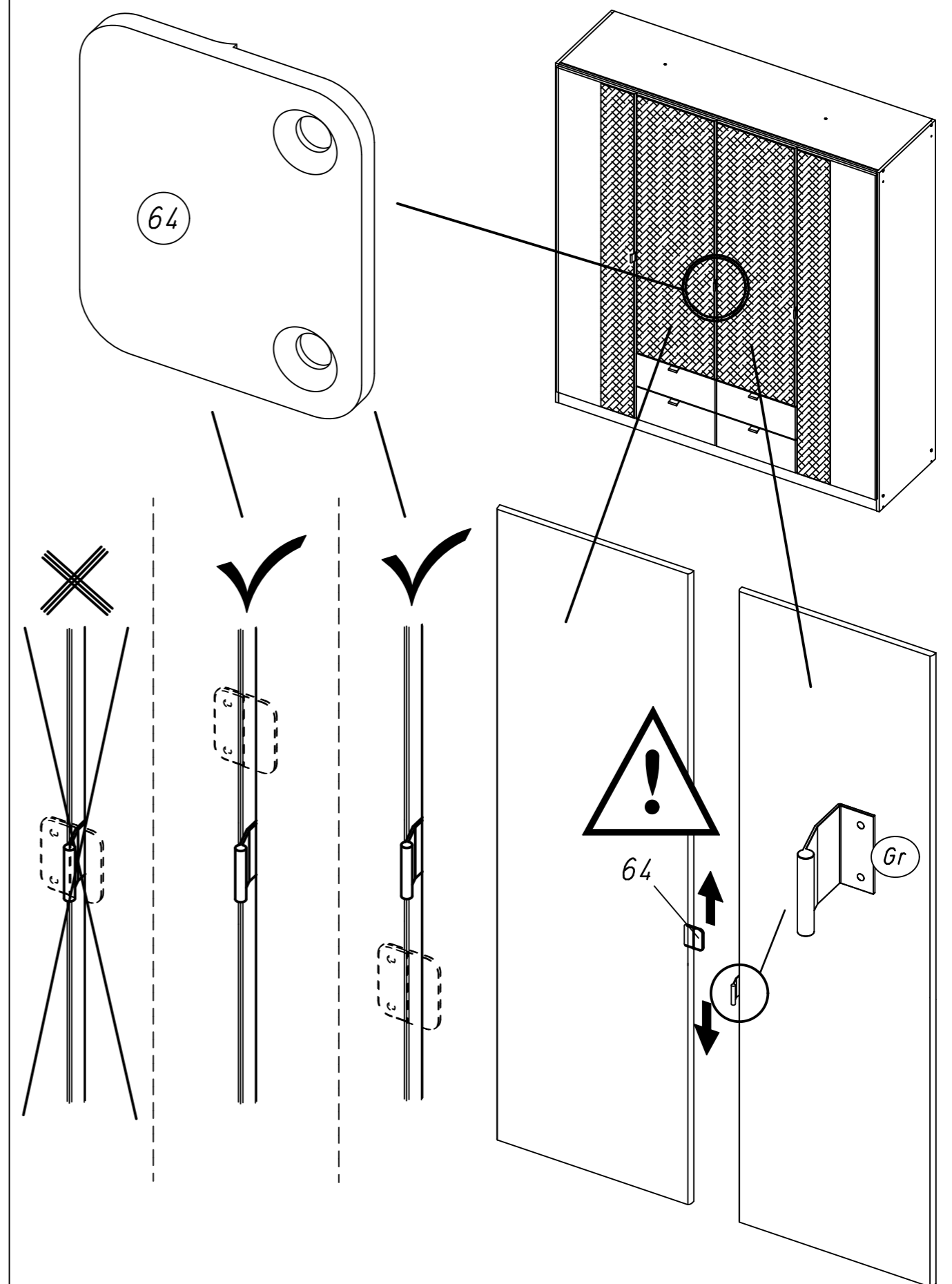
2x (Tu) = 2x (Gr) | 4x (205)

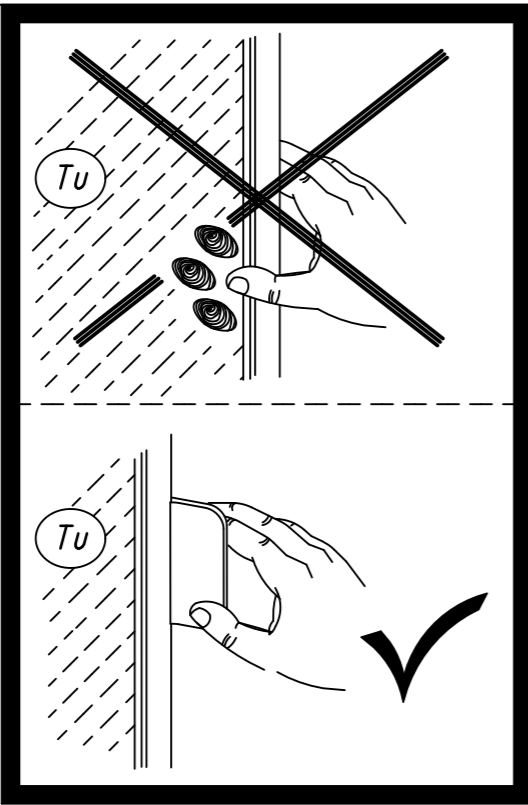
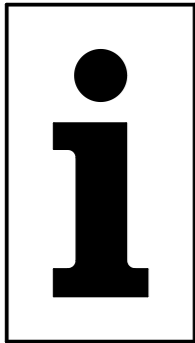
3x (Tu) = 3x (Gr) | 6x (205)

...

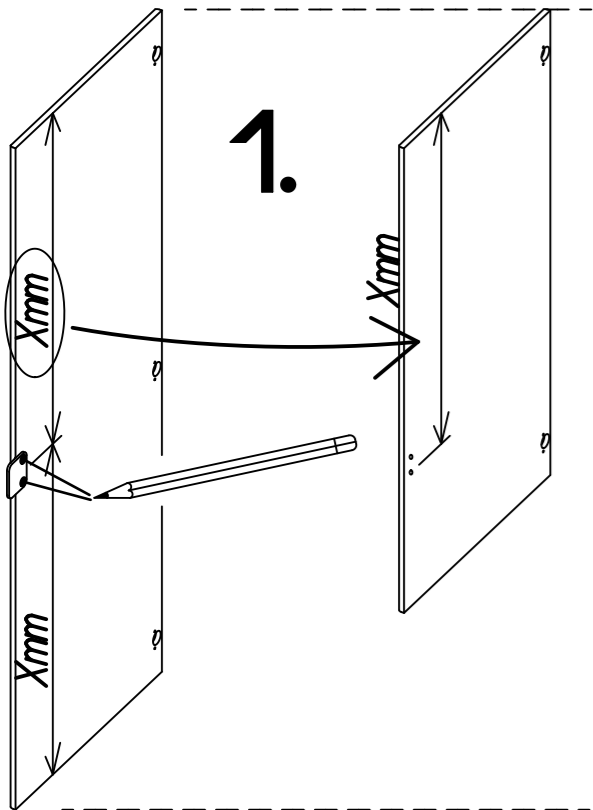
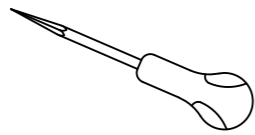
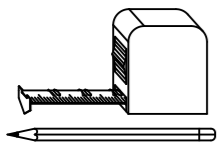


3

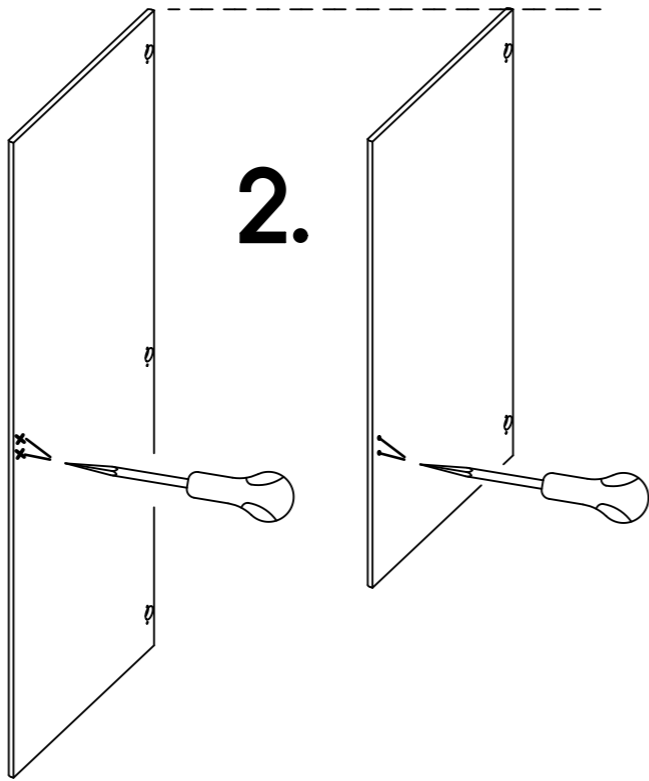




4




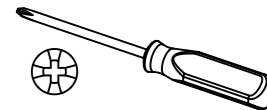
1.




2.


5

1x  $\text{Tu}$  = 1x 64 



1x  $\text{Tu}$  = 2x 202 

2x  $\text{Tu}$  = 4x 202 

3x  $\text{Tu}$  = 6x 202 

⋮

