

www.blackanddecker.eu

BXMZ901E

BG

RO

RU

EL

PL

NL

PT

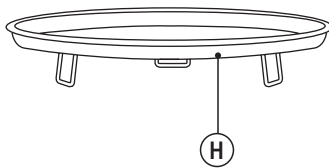
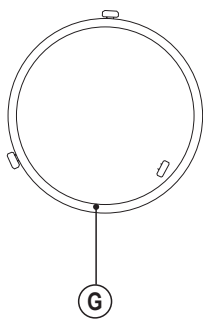
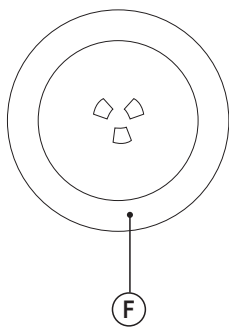
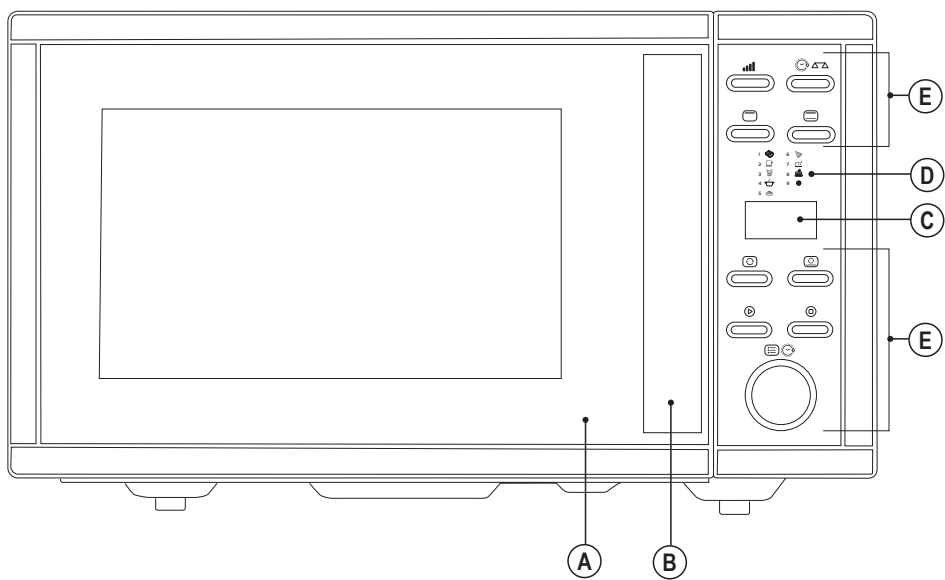
ES

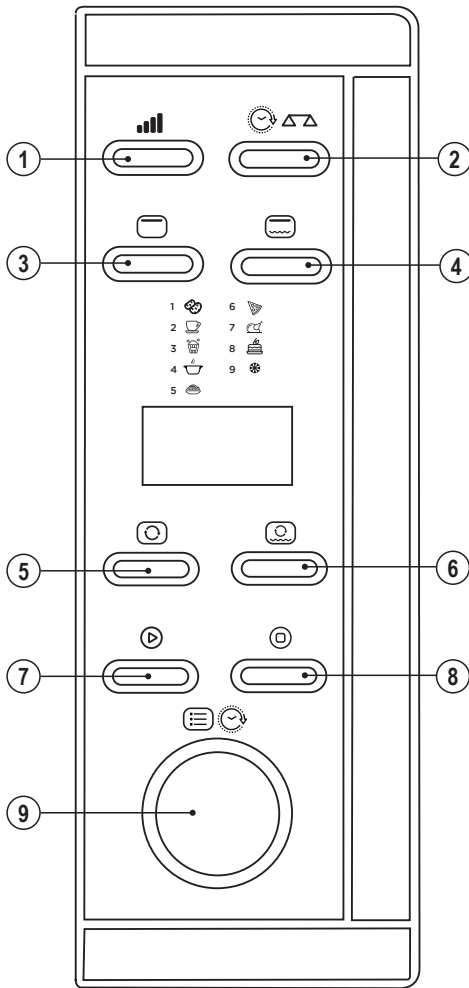
IT

DE

FR

EN





Microwave Oven BXMZ901E

Dear customer,

Many thanks for choosing to purchase a BLACK+DECKER brand product.

Thanks to its technology, design and operation and the fact that it exceeds the strictest quality standards, a fully satisfactory use and long product life can be assured.

- ◆ Read these instructions carefully before switching on the appliance and keep them for future reference. Failure to follow and observe these instructions could lead to an accident.

SAFETY ADVICE AND WARNINGS

- ◆ **IMPORTANT SAFETY INSTRUCTIONS READ CAREFULLY AND KEEP FOR FUTURE REFERENCE.**
- ◆ **WARNING:** If the door or door seals are damaged, the oven must not be operated until it has been repaired by a competent person.
- ◆ **WARNING:** It is hazardous for anyone other than a competent person to carry out any service or repair operation that involves the removal of a cover which gives protection against exposure to microwave energy.
- ◆ **WARNING:** Liquids and other foods must not be heated in sealed containers since they are liable to explode.
- ◆ This appliance is only for domestic use, not for industrial or professional use. It is not intended to be used by guests in hospitality environments such as bed and breakfast, hotels, motels, and other types of residential environments, even in farm houses, areas of the kitchen staff in shops, offices and other work environments.
- ◆ The appliance requires suitable ventilation in order to work properly. Leave a space of 20 cm above the appliance and 5 cm on either side.
- ◆ Only use utensils that are suitable for use in microwave ovens.
- ◆ Metallic containers for food and beverages are not allowed during microwave cooking.
- ◆ When heating food in plastic or paper containers, keep an eye on the oven due to the possibility of ignition.
- ◆ The microwave oven is intended for heating food and beverage. Drying of food or clothing and heating of warming pads, slippers, sponges, damp cloth and similar may lead to risk of injury, ignition or fire.
- ◆ If smoke is emitted, switch off or unplug the appliance and keep the door closed in order to stifle any flames.
- ◆ Microwave heating of beverages can result in delayed eruptive boiling; therefore, care must be taken when handling the container.

- ◆ The contents of feeding bottles and baby food jars shall be stirred or shaken and the temperature checked before consumption, in order to avoid burns.
- ◆ Eggs in their shell and whole hard-boiled eggs should not be heated in microwave ovens since they may explode, even after microwave heating has ended.
- ◆ Clean all the parts of the product that will be in contact with food, as indicated in the cleaning section, before use.
- ◆ The oven should be cleaned regularly and any food deposits removed.
- ◆ Failure to maintain the oven in clean condition could lead to deterioration of the surface that could adversely affect the life of the appliance and possibly result in a hazardous.
- ◆ The appliance shall not be cleaned with a steam cleaner.
- ◆ The microwave oven is intended to be used freestanding.
- ◆ The appliance shall not be placed in a cabinet.
- ◆ This appliance can be used by children aged from 8 years and above and persons with reduced physical, sensory or mental capabilities or lack of experience and knowledge if they have been given supervision or instruction concerning use of the appliance in a safe way and understand the hazards involved.
- ◆ This appliance is not a toy. Children should be supervised to ensure that they do not play with the appliance.
- ◆ Cleaning and user maintenance shall not be made by children unless they are supervised.
- ◆ The temperature of the door and other accessible surfaces may be high when the appliance is in use.
- ◆ Do not use the appliance in association with a programmer, timer or other device that automatically switches it on.
- ◆ Do not remove the mica plate covering the wave guide.
- ◆ If the connection to the mains has been damaged, it must be replaced, take the appliance to an authorised technical support service. Do not attempt to disassemble or repair the appliance by yourself in order to avoid a hazard.
- ◆ This appliance is for household use only, not professional, industrial use.
- ◆ Ensure that the voltage indicated on the rating label matches the mains voltage before plugging in the appliance.
- ◆ Connect the appliance to a base with an earth socket withstanding a minimum of 10 amperes.
- ◆ The appliance's plug must fit into the mains socket properly. Do not alter the plug. Do not use plug adaptors.

- ◆ Do not force the power cord. Never use the power cord to lift up, carry or unplug the appliance.
- ◆ Do not allow the power cord to hang or to come into contact with the hot surfaces of the appliance.
- ◆ Check the state of the power cord. Damaged or tangled cables increase the risk of electric shock.
- ◆ Do not touch the plug with wet hands.
- ◆ Do not use the appliance if the cable or plug is damaged.
- ◆ If any of the appliance casings breaks, immediately disconnect the appliance from the mains to prevent the possibility of an electric shock.
- ◆ Do not use the appliance if it has fallen on the floor, if there are visible signs of damage or if it has a leak.
- ◆ Do not place the appliance on hot surfaces, such as cooking plates, gas burners, ovens or similar.
- ◆ The appliance must be used and placed on a flat, stable surface.

USE AND CARE:

- ◆ Fully extend the appliance's power cable before each use.
- ◆ Do not use the appliance when empty.
- ◆ Do not use the appliance if the on/off switch does not work.
- ◆ Disconnect the appliance from the mains when not in use and before undertaking any cleaning task.
- ◆ Make sure that dust, dirt or other foreign objects do not block the fan grill on the appliance.
- ◆ Use the appliance and its accessories and tools in accordance with these instructions, taking into account the working conditions and the work to be performed. Use the appliance for operations different from those intended could result in a hazardous situation.
- ◆ CAUTION: Do not use the appliance if the glass is cracked or broken.

Service:

- ◆ CAUTION: Maintenance or repair work, which requires only trained technicians, should carry out the removal of the microwave protection cover, as such actions are dangerous.
- ◆ Any misuse or failure to follow the instructions for use renders the guarantee and the manufacturer's liability null and void.

DESCRIPTION

- A Microwave oven door
- B Opening handle
- C LED screen
- D Auto menu guide
- E Control panel
- F Turntable
- G Turntable Wheels
- H Bake tray

- 1 Power selector
- 2 Clock button/Weight adjust
- 3 Grill selector
- 4 Combination function selector
- 5 Convection selector
- 6 Micro+convection selector
- 7 Start button
- 8 Stop/Cancel button
- 9 Multifunction knob

If the model of your appliance does not have the accessories described above, they can also be bought separately from the Technical Assistance Service.

INSTALLATION

- ◆ Be sure to remove all packaging material from inside the appliance.
- ◆ Do not cover or obstruct any of the openings of the appliance.
- ◆ The plug must be easily accessible so it can be disconnected in an emergency.
- ◆ Check the oven for any damage, such as misaligned or bent door, damaged door seals and sealing surface, broken or loose door hinges and latches and dents inside the cavity or on the door. If there is any damage, do not operate the oven and contact qualified personnel.
- ◆ Do not place anything over the Microwave.
- ◆ Keep the oven separated about 5cm for each side and 20cm on behind to ensure the correct ventilation.
- ◆ Don't use the oven outdoors

Plate mounting

- ◆ Remove all carton and plastic from the inside of the appliance.
- ◆ Place the plate wheels (G) in the internal cavity of the Microwave oven by assuring that they stay inside of the recess on the interior base.
- ◆ Place the plate over the wheels by matching the centre

with the internal piece connected to the motor.

First time plugging in (General Instructions)

- ◆ When the oven first plugged in, beep will sound and all symbols will light on. At this time, press the stop/cancel button to go to standby mode.
- ◆ In the process of cooking, if it is not realizing any function, after 20 seconds the oven will return to standby mode.
- ◆ During cooking, if press STOP/CANCEL pad once, the program will be paused, then press START/QUICK START pad to resume, but if press STOP/CANCEL pad twice, the program will be cancelled.
- ◆ After ending cooking, the screen will display End with sound every two minutes until user press any pad or open the door.
- ◆ This microwave has a cooling function. After two minutes of use, the cooling fan will remain switched on about 3 minutes to ensure the correct ventilation of the microwave oven.

Setting Clock time

- ◆ This is a 24- or 12- hour clock. You can choose to set the clock time in 24- or 12- hour cycle by pressing the CLOCK pad.
- ◆ In standby mode, press CLOCK pad once or twice to select 24- or 12- hour clock.
- ◆ Turn MENU/TIME knob to set hour digit.
- ◆ Press CLOCK pad once.
- ◆ Turn MENU/TIME knob to set minute digit.
- ◆ Press CLOCK pad to confirm.
- ◆ NOTE: During cooking, you can check the current time of the clock by pressing CLOCK pad.

INSTRUCTIONS FOR USE

Before use:

- ◆ Make sure that all products' packaging has been removed.
- ◆ Prepare the appliance according to the function you wish to use:

Open the door

- ◆ Pull the handle to open the door.

Express cooking

- ◆ Place the food inside the microwave oven and close the

door.

- ◆ Press the start button. The microwave oven will start working at max power during 30 seconds.
- ◆ NOTE: You can add 30 seconds to the express cooking every time you press the start button.

Microwave:

- ◆ Place the food in the appliance and close the door.
- ◆ From standby mode, press the power selector to choose the desired power.
- ◆ Turn the multifunction knob to select the cooking time.
- ◆ Press the start button to start cooking.

NOTE: This microwave has 10 power levels. Press the power selector several times to go through them. 100% (900W), 90% (810W), 80% (720W), 70% (630W), 60% (540W), 50% (450W), 40% (360W), 30% (270W), 20% (180W), 10% (90W).

NOTE: The maximum cooking time is 95 minutes.

GRILL COOKING

- Place the food in the appliance and close the door.
- From standby mode press the function selector once.
- Turn the multifunction knob to set the cooking time.
- Press the start button to start cooking.

NOTE: The maximum cooking time is 95 minutes.

Combination Cooking

- Place the food in the appliance and close the door.
- From standby mode, press the combi selector once or twice to select Co-1 or Co-2 mode.
- Turn the multifunction knob to select the time.
- Press the start button to start the function

NOTE: Co-1 uses 30% microwave power and 70% grill power. Mode Co-2 uses 55% microwave power and 45% grill power.

Convection

During convection cooking, hot air is circulated inside the oven to make crispy foods quickly and evenly. This oven has different temperatures: 200 °C, 190 °C, 180 °C, 170 °C, 160 °C, 150 °C, 140 °C, 130 °C, 120 °C, 110 °C.

To preheat the oven:

- In standby, press the convection selector to select the desired temperature.
- Press the start button once to confirm. The oven will start working and it will make a sound once it gets to

the temperature. Every 5 seconds will sound.

NOTE: If you don't do anything when the oven is preheated, it will sound every 5 seconds during 30 minutes. After that time, it will be automatically switched off.

To cook with convection after preheating

- Open the door and place the food container at the centre of the turntable. TIP: you can use the bake tray as a non-stick tray, just like the ovens.
- Turn the multifunction knob to set the cooking time.
- Press start button to start cooking.

NOTE: During cooking, you can check the temperature pressing the convection button.

Microwave + convection

This oven can mix microwave power with convection power to offer new possibilities in cooking. It has four temperatures available in mixing: 200 °C, 170 °C, 140 °C, 110 °C.

- In standby press the micro+convection selector to select the desired temperature.
- Turn the multifunctional knob to select the time of cooking.
- Press the start button to confirm.

defrost

- Place the food in the appliance and close the door.
- From standby, turn the knob anti-clockwise and select auto mode 9.
- Turn the multifunctional knob to select the time of cooking.
- Press the start button to confirm.

NOTE: During the defrosting process, the system will beep and stop in the middle time so you can turn your food over. Once you have done it, press the multifunction knob to resume.

Multi-stage cooking

Your oven can be programmed for up to 3 automatic cooking sequences. Suppose you want to set the following cooking program:

Microwave cooking some food at max power during 10 min and, after that, grill cooking for 5 minutes.

Multi-stage Cooking

This microwave allows to cook in 3 different cooking steps. For example, we suppose that you want use 100% microwave power during 15 minutes and use the grill during 5 minutes.

- Press the power selector once

- Use the turning knob to select 15 minutes.
- After that, press the function selector once to select the grill.
- Adjust the time to 5 min.
- Press the start button to start cooking.

NOTE: Modes Auto-menu, defrost and express cooking cannot be used as a step on the multi-stage cooking.

Child lock

This function is used to avoid accidents because of unnoticed use by kids.

Child lock will be automatically activated after one minute without operation. In this state all pads are disabled.

To cancel the child lock, open the door.

AUTOMENU

In order to use this function, you will just have to know the weight and the type, for example, if it is milk, you will have to choose liquids.

- Turn the turning knob counter-clockwise to select the correct menu. You will find a table regarding this menu below.
- Press the weight adjust to select the weight or the pieces.
- Press the start button to cook.

Menu	Weight / Quantity
A1 Potatoes	1-3 pieces
A2 Milk/Coffee/Liquids	1-3 cups (200ml)
A3 Popcorn	99 g
A4 Reheating	200 – 800 g
A5 Pasta	100 g (450ml water)
	200 g (800 ml water)
	300g (1200 ml water)
A6 Pizza	150 – 450 g
A7 Chicken	800 – 1400 g

A8 Cakes	475 g
A9 Defrosting	Check the defrosting section.

NOTE: For mode 7, microwave will stop in the middle of the operations to turn the food over.

NOTE: The result of auto cooking will depend on much factors. If you find the result not quite accordingly, adjust the cooking time a little bit.

Once you have finished using the appliance:

- ◆ Clean the appliance.

CLEANING

- ◆ Disconnect the appliance from the mains and allow it to cool before undertaking any cleaning task.
- ◆ Clean the equipment with a damp cloth with a few drops of washing-up liquid and then dry.
- ◆ Do not use solvents, or products with an acid or base pH such as bleach, or abrasive products, for cleaning the appliance.
- ◆ Do not let water or any other liquid get into the air vents to avoid damage to the inner parts of the appliance.
- ◆ Never submerge the appliance in water or any other liquid or place it under running water.
- ◆ Remove the glass plate and the rotating ring for cleaning. Clean in hot, soapy water or in a dishwasher. Replace parts correctly.
- ◆ It is advisable to clean the appliance regularly and remove any food remains.

ANOMALIES AND REPAIR

- ◆ Take the appliance to an authorised technical support service if product is damaged or other problems arise. Do not attempt to disassemble or repair the appliance yourself as this may be dangerous.

For EU product versions and/or in case that it is requested in your country:

Ecology and recyclability of the product

- ◆ The materials of which the packaging of this appliance consists are included in a collection, classification and recycling system. Should you wish to dispose of them, use the appropriate public recycling bins for each type of material.
- ◆ The product does not contain concentrations of substances that could be considered harmful to the environment.



This symbol means that in case you wish to dispose of the product once its working life has ended; take it to an authorised waste agent for the selective collection of Waste from Electric and Electronic Equipment (WEEE).

This appliance complies with Directive 2014/35/EU on Low Voltage, Directive 2014/30/EU on Electromagnetic Compatibility, Directive 2011/65/EU on the restrictions of the use of certain hazardous substances in electrical and electronic equipment and Directive 2009/125/EC on the eco-design requirements for energy-related products.

Warranty and technical assistance

This product enjoys the recognition and protection of the legal guarantee in accordance with current legislation. To enforce your rights or interests you must go to any of our official technical assistance services.

You can find the closest one by accessing the following web link: <http://www.2helpu.com/>

You can also request related information, by contacting us (see the last page of the manual).

You can download this instruction manual and its updates at <http://www.2helpu.com/>

**Micro-ondes
BXMZ901E****Cher Client,**

Nous vous remercions d'avoir acheté un appareil BLACK+DECKER.

Sa technologie, son design et ses fonctionnalités, associés aux plus hautes normes de qualité vous permettront une totale satisfaction pendant longtemps.

- ◆ Lire attentivement cette notice d'instructions avant de mettre l'appareil en marche, et la conserver pour la consulter ultérieurement. Le non-respect de ces instructions peut être source d'accident.

**CONSEILS ET MESURES DE
SÉCURITÉ**

- ◆ MESURES DE SÉCURITÉ IMPORTANTES, VEUILLEZ LES LIRE ATTENTIVEMENT ET LES CONSERVER POUR UNE CONSULTATION ULTÉRIEURE
- ◆ AVERTISSEMENT : Si la porte ou l'encliquetage de la porte sont abîmés, ne pas utiliser le four tant que la réparation n'aura pas été effectuée par un technicien agréé.
- ◆ AVERTISSEMENT : Il est dangereux, mis à part pour un réparateur qualifié, d'effectuer toute opération de réparation impliquant le retrait d'une partie protectrice contre l'énergie de micro-ondes.
- ◆ AVERTISSEMENT : Les liquides ou aliments ne doivent en aucun cas être chauffés dans des contenants scellés puisqu'un risque d'explosion pourrait en résulter.
- ◆ Cet appareil est uniquement destiné à un usage domestique et non professionnel ou industriel. Cet appareil a été exclusivement conçu dans le cadre d'un usage privé et non pas pour une utilisation professionnelle ou industrielle. Il n'a pas été conçu pour être utilisé par les clients d'établissements hôteliers tels que « bed and breakfasts », hôtels, motels et tout autre logement résidentiel, y compris les gîtes ruraux ou les aires de repos, ni espaces de cuisine destinés au personnel de magasins, bureaux et autres milieux de travail.
- ◆ L'appareil requiert une ventilation adéquate pour fonctionner correctement. Laisser 20 cm d'espace libre au dessus du four et 5 cm de chaque côté.
- ◆ Utiliser uniquement des ustensiles compatibles aux micro-ondes
- ◆ Aucun récipient métallique ne doit être utilisé au micro-ondes. Lorsque vous réchauffez vos aliments dans des contenants de plastique ou papier, surveillez le micro-ondes puisqu'un feu pourrait en résulter.
- ◆ Le micro-ondes sert à réchauffer les aliments ou les boissons. La déshydratation des aliments ou des vêtements et le chauffage de coussinets de réchauffement, de pantoufles, d'éponges, de chiffons humides ou autres produits similaires peut

- entraîner un risque de blessure, ou causer un feu.
- ◆ Arrêter d'utiliser le four ou le débrancher si de la fumée s'échappe de l'appareil en s'assurant de garder la porte fermée pour étouffer toute flamme.
 - ◆ Une ébullition tardive des liquides peut se déclencher. Par conséquent, manipuler les conteneurs avec précaution.
 - ◆ Pour éviter les brûlures, remuer les pots de nourriture pour bébé ou les biberons et prendre la température du contenu avant de nourrir l'enfant.
 - ◆ Aucun œuf en coquille ou œuf à la coque ne devrait être réchauffé au micro-ondes de peur de causer une explosion, même après son retrait de l'appareil.
 - ◆ Avant la première utilisation, laver les parties en contact avec les aliments comme indiqué à la section nettoyage.
 - ◆ Nettoyer fréquemment le four et éliminer les dépôts de nourriture. À défaut d'un bon entretien du micro-ondes, la surface pourrait se détériorer et affecter la durée de vie de l'appareil et le rendre dangereux à utiliser.
 - ◆ Ne pas utiliser de nettoyeur à vapeur pour nettoyer l'appareil.
 - ◆ La conception du micro-ondes nécessite qu'on l'utilise monté sur pied.
 - ◆ Ne pas encastrer l'appareil.
 - ◆ Cet appareil peut être utilisé par des personnes non familiarisées avec son fonctionnement, des personnes handicapées ou des enfants âgés de plus de 8 ans, et ce, sous la surveillance d'une personne responsable ou après avoir reçu la formation nécessaire sur le fonctionnement sûr de l'appareil et en comprenant les dangers qu'il comporte.
 - ◆ Cet appareil n'est pas un jouet. Les enfants doivent être surveillés afin de s'assurer qu'ils ne jouent pas avec l'appareil.
 - ◆ Le nettoyage ou l'entretien ne doit en aucun cas être effectué par des enfants sans surveillance.
 - ◆ Quand l'appareil est mis en marche, la température des surfaces accessibles peut être élevée. Ne pas utiliser l'appareil associé à un programmateur, à une minuterie ou tout autre dispositif connectant automatiquement l'appareil.
 - ◆ Ne pas retirer le plateau de mica recouvrant le guide d'ondes.
 - ◆ Si la prise électrique est endommagée, elle doit être remplacée. Confier l'appareil à un service

technique agréé. Ne pas tenter de procéder aux réparations ou de démonter l'appareil car cela implique des risques.

◆ **Cet appareil est uniquement destiné à un usage domestique et non à un usage professionnel ou industriel.**

- ◆ Avant de raccorder l'appareil au secteur, s'assurer que le voltage indiqué sur la plaque signalétique correspond à celui du secteur.
- ◆ Raccorder l'appareil à une prise pourvue d'une fiche de terre et supportant au moins 10 ampères.
- ◆ La prise de courant de l'appareil doit coïncider avec la base de la prise de courant. Ne jamais modifier la prise de courant. Ne pas utiliser d'adaptateur de prise de courant.
- ◆ Ne pas forcer le câble électrique de connexion. Ne jamais utiliser le câble électrique pour lever, transporter ou débrancher l'appareil.
- ◆ Ne pas laisser le câble de connexion suspendu à la table ou entrer en contact avec les surfaces chaudes de l'appareil.
- ◆ Vérifier l'état du câble électrique de connexion. Les câbles endommagés ou emmêlés augmentent le risque de choc électrique.
- ◆ Ne pas toucher la prise de raccordement avec les mains mouillées.
- ◆ Ne pas utiliser l'appareil si son câble électrique ou sa prise est endommagé.
- ◆ Si une des enveloppes protectrices de l'appareil se rompt, débrancher immédiatement l'appareil du secteur pour éviter tout choc électrique.
- ◆ Ne pas utiliser l'appareil s'il est tombé, s'il y a des signes visibles de dommages ou en cas de fuite.
- ◆ Ne pas placer l'appareil sur des surfaces chaudes, plaques de cuisson, cuisinières à gaz, fours ou similaires.
- ◆ L'appareil doit être utilisé et placé sur une surface plane et stable.

UTILISATION ET ENTRETIEN :

- ◆ Avant chaque utilisation, dérouler complètement le câble électrique de l'appareil.
- ◆ Ne pas utiliser l'appareil à vide.
- ◆ Ne pas utiliser l'appareil si son dispositif de mise en marche/arrêt ne fonctionne pas.

- ◆ Débrancher l'appareil du secteur quand il n'est pas utilisé et avant de procéder à toute opération de nettoyage.
- ◆ Tenir cet appareil hors de portée des enfants ou des personnes ayant des capacités physiques, sensorielles ou mentales réduites, ou présentant un manque d'expérience et de connaissances.
- ◆ Vérifier que les grilles de ventilation de l'appareil ne soient pas obstruées par de la poussière, des saletés ou tout autre objet.
- ◆ Utiliser cet appareil, ses accessoires et outils conformément au mode d'emploi, en tenant compte des conditions de travail et du travail à réaliser. L'utilisation de l'appareil pour des opérations autres que celles pour lesquelles il a été conçu pourrait impliquer des situations dangereuses.
- ◆ **AVERTISSEMENT** : Ne pas utiliser l'appareil si le verre est brisé ou cassé.

Service:

- ◆ **AVERTISSEMENT** : Il est dangereux que toute personne non qualifiée décide de réaliser les opérations de maintenance ou de réparation, nécessitant le retrait du couvercle protecteur contre l'exposition aux micro-ondes.
- ◆ Toute utilisation inappropriée ou non conforme aux instructions d'utilisation annule la garantie et la responsabilité du fabricant.

DESCRIPTION

- | | |
|---|-------------------------------|
| A | Porte du micro-ondes |
| B | Poignée de la porte |
| C | Écran LED |
| D | Guide de la fonction Automenu |
| E | Panneau de commande |
| F | Plateau du micro-ondes |
| G | Roulettes du plateau |
| H | Plateau de cuisson (four) |
-
- | | |
|---|---------------------------------------|
| 1 | Sélecteur de puissance |
| 2 | Bouton horloge/configurateur de poids |
| 3 | Sélecteur gril |
| 4 | Sélecteur de combinaison |
| 5 | Sélecteur de convection |
| 6 | Sélecteur micro+convection |
| 7 | Bouton de démarrage |
| 8 | Bouton d'arrêt/d'annulation |
| 9 | Molette multi-fonctions |

Dans le cas où votre modèle ne disposerait pas des

accessoires décrits antérieurement, ceux-ci peuvent être achetés séparément auprès des services d'assistance technique.

INSTALLATION

- ◆ S'assurer d'avoir retiré tout le matériel d'emballage du produit.
- ◆ Ne pas couvrir ni obstruer aucune ouverture de l'appareil.
- ◆ La fiche doit être d'accès facile afin de pouvoir la débrancher en cas d'urgence.
- ◆ Inspecter le four de façon à s'assurer que celui-ci ne contienne aucun défaut, tels qu'une porte mal alignée ou déformée, des joints de portes ou surface de scellage endommagés, des charnières ou loquets brisés ou desserrés et des bosses à l'intérieur de l'appareil ou sur la porte. Si tel est le cas, n'utilisez pas l'appareil et contactez un réparateur qualifié.
- ◆ Ne rien poser au-dessus du micro-ondes.
- ◆ Laisser environ 5 cm de chaque côté et environ 20 cm à l'arrière pour une bonne ventilation.
- ◆ Ne pas utiliser le micro-ondes en extérieur.

Installation du plateau

- ◆ Retirer l'emballage intérieur des pièces.
- ◆ Placer les roulettes du plateau (G) dans la cavité interne du micro-ondes, en veillant à ce qu'elles s'enclenchent dans la rainure interne.
- ◆ Placer le plateau au-dessus des roulettes, en ajustant le centre avec la partie tournante interne du moteur.

Première connexion au réseau électrique (Instructions générales)

- ◆ Lorsque le micro-ondes est connecté pour la première fois, un bip retentira et tous les voyants s'allumeront. Il sera alors possible d'appuyer sur le bouton arrêt/annulation pour passer en mode veille.
- ◆ Durant la cuisson, en absence d'activation de fonction, l'appareil passera en mode veille au bout de vingt secondes.
- ◆ Durant le processus de cuisson, en appuyant une fois sur le bouton arrêt/annulation, le programme sera mis en pause. Pour reprendre le fonctionnement, appuyer à nouveau sur la molette multi-fonctions. En appuyant deux fois sur ce même bouton, la fonction s'arrêtera complètement.
- ◆ Une fois le processus terminé, le micro-ondes affichera « End » et sonnera toutes les deux minutes pour rap-

pelez que la fonction est terminée jusqu'à ce que vous appuyiez sur un bouton ou ouvriez la porte.

- ◆ Ce micro-ondes dispose d'une fonction de refroidissement. Après deux minutes d'utilisation, une fois le processus terminé, le ventilateur restera allumé pendant environ 3 minutes pour assurer un bon refroidissement par micro-ondes.

Programmation de l'horloge

- ◆ Ce micro-ondes propose un affichage de l'heure de 12 h et 24 h. Appuyer sur le bouton de l'horloge pour sélectionner le format désiré.
- ◆ En mode veille, appuyer une ou deux fois pour sélectionner 12 h ou 24 h.
- ◆ Tourner la molette multi-fonctions pour sélectionner l'heure.
- ◆ Appuyer sur le bouton de l'horloge.
- ◆ Tourner la molette pour sélectionner les minutes.
- ◆ Appuyer sur le bouton de l'horloge pour confirmer.
- ◆ NOTE : Durant la cuisson, il est possible de consulter l'heure en appuyant sur le bouton de l'horloge.

MODE D'EMPLOI

Remarques avant utilisation :

- ◆ Vérifier d'avoir retiré tout le matériel d'emballage du produit.
- ◆ Préparer l'appareil conformément à la fonction désirée.

Ouvrir la porte

- ◆ Tirer sur la poignée pour ouvrir la porte.

Cuisson rapide

- ◆ Mettre les aliments dans le micro-ondes et fermer la porte.
- ◆ Appuyer sur la touche de démarrage. Le micro-ondes commencera la cuisson à pleine puissance pendant 30 secondes.
- ◆ NOTE : Il est également possible d'augmenter le temps de 30 secondes à chaque pression du bouton de démarrage.

Cuisiner avec le micro-ondes :

- Mettre les aliments dans le micro-ondes et fermer la porte.
- En mode veille, appuyer sur le sélecteur d'alimentation jusqu'à la puissance souhaitée.

- Tourner la molette pour sélectionner le temps.
- Appuyer sur le bouton de démarrage pour commencer la cuisson.

NOTE : L'appareil dispose de 9 niveaux de puissance : Appuyer plusieurs fois sur le sélecteur de puissance pour sélectionner celle désirée. 100 % (900 W), 90 % (810 W), 80 % (720 W), 70 % (630 W), 60 % (540 W), 50 % (450 W), 40 % (360 W), 30 % (270 W), 20 % (180 W), 10 % (90 W).

NOTE : La durée maximum de cuisson est de 95 minutes.

Cuisiner avec le grill

- Mettre les aliments dans le micro-ondes et fermer la porte.
- En mode veille, appuyer sur le sélecteur de grill. Un G s'affichera à l'écran.
- Tourner la molette pour sélectionner le temps.
- Appuyer sur le bouton de démarrage pour lancer la fonction.

NOTE : La durée maximum de cuisson est de 95 minutes.

Combinaison

- Mettre les aliments dans le micro-ondes et fermer la porte.
- En mode veille, appuyer deux ou trois fois sur le sélecteur de fonction de combinaison pour sélectionner le mode Co-1 ou Co-2.
- Tourner la molette pour sélectionner le temps.
- Appuyer sur le bouton de démarrage pour lancer la fonction.

NOTE : Co-1 utilise 30 % de puissance micro-ondes et 70 % de puissance grill. Le mode Co-2 utilise 55 % de puissance micro-ondes et 45 % de puissance grill.

Convection

Durant la cuisson par convection, de l'air chaud circule à l'intérieur du micro-ondes pour cuisiner des plats croustillants, rapidement et uniformément. Ce four dispose de différents réglages de température : 200 °C, 190 °C, 180 °C, 170 °C, 160 °C, 150 °C, 140 °C, 130 °C, 120 °C, 110 °C.

Pour préchauffer le four :

- En mode veille, appuyer sur le sélecteur de convection jusqu'à la puissance souhaitée.
- Appuyer sur le bouton de démarrage pour confirmer. Le four commencera à chauffer et vous avisera lorsqu'il atteindra la température souhaitée. Une fois la température atteinte, il sonnera toutes les 5 minutes.

NOTE : Si le micro-ondes n'est pas utilisé pendant une

demi-heure dans ce mode, il s'éteindra automatiquement.

Pour cuire une fois le four préchauffé

- Ouvrir la porte et placer les aliments à l'intérieur, dans un récipient adapté. ASTUCE : Il est possible d'utiliser la plaque à pâtisserie fournie en dotation.
- Tourner la molette pour sélectionner le temps.
- Appuyer sur le bouton de démarrage pour commencer la cuisson.

NOTE : Durant la cuisson, il est possible de vérifier la température du four en appuyant sur le bouton de convection.

Micro-ondes + Convection

Ce micro-ondes peut mélanger les micro-ondes et la convection pour offrir de nouvelles fonctionnalités de cuisine. Il peut travailler avec quatre températures : 200 °C, 170 °C, 140 °C, 110 °C.

- En mode veille, appuyer sur le sélecteur micro-ondes + convection pour sélectionner la température désirée.
- Tourner la molette pour sélectionner le temps de cuisson.
- Appuyer sur le bouton de démarrage pour commencer la cuisson.

Décongeler

- Mettre les aliments à décongeler dans le micro-ondes et fermer la porte.
- En mode veille, tourner la molette multi-fonctions.
- Tourner la molette pour sélectionner le temps de cuisson.
- Appuyer sur le bouton de démarrage pour commencer la décongélation.

NOTE : Durant le processus de décongélation, le système émettra un bip et s'arrêtera pour permettre de retourner les aliments. Une fois terminé, appuyer sur la molette pour reprendre le fonctionnement.

Cuisson en plusieurs étapes

Il est possible de cumuler jusqu'à 3 étapes.

Par exemple, supposons que vous souhaitez utiliser le micro-ondes à 100 % pour cuire de la viande pendant 15 minutes et la faire griller pendant 5 minutes.

- Appuyer une fois sur le bouton de sélection de puissance.
- Utiliser la molette pour programmer 15 minutes.
- Puis appuyer sur le bouton de sélection du grill.
- Régler le temps en utilisant le bouton rotatif.
- Appuyer sur la touche de démarrage.

NOTE : Il n'est pas possible d'utiliser la fonction Auto-me-

nu, décongélation et/ou cuisson rapide sous ce mode.

Blocage enfants

Cette fonction est utilisée pour empêcher toute utilisation accidentelle par des enfants.

La sécurité enfants s'activera automatiquement après une minute sans aucune opération. Sous ce mode, tous les boutons seront désactivés.

Pour désactiver ce mode, ouvrir simplement la porte du four à micro-ondes.

AUTOMENU

Pour utiliser cette fonction pratique et utile, il suffit de connaître le poids du produit et sa nature, par exemple, s'il s'agit de lait, insérer liquide.

Pour utiliser la fonction :

- Tourner la molette vers la gauche pour sélectionner le menu correct (A1 à A9, le tableau de correspondance est fourni ci-dessous).
- Appuyer sur le bouton de configuration du poids pour sélectionner le poids ou les portions.
- Appuyer sur le bouton de démarrage pour démarrer le programme.

Menu	Poids/Quantité
A1 Pommes de terre	1 à 3 portions
A2 Lait/Café/Liquide	1-3 tasses (200 ml)
A3 Pop-corn	99 g
A4 Réchauffer	200 – 800 g
A5 Pâtes	100 g (450 ml d'eau)
	200 g (800 ml d'eau)
	300g (1200 ml d'eau)
A6 Pizza	150 – 450 g
A7 Poulet	800 – 1400 g
A8 Gâteaux	475 g
A9 Décongeler	Consulter la section du manuel.

NOTE : Sous le mode 7, le micro-ondes s'arrêtera à mi-cuisson pour retourner les aliments. Une fois terminé, fermer la porte et appuyer sur le bouton de démarrage pour reprendre le fonctionnement.

NOTE : Le résultat obtenu avec la fonction Auto-menu dépendra de nombreux facteurs. Si les résultats ne conviennent pas, ajuster le temps de cuisson.

Après utilisation de l'appareil :

- ◆ Nettoyer l'appareil.

NETTOYAGE

- ◆ Débrancher l'appareil du secteur et attendre son refroidissement complet avant de le nettoyer.
- ◆ Nettoyer l'appareil avec un chiffon humide imprégné de quelques gouttes de détergent et le laisser sécher.
- ◆ Ne pas utiliser de solvants ni de produits au pH acide ou basique tels que l'eau de Javel, ni de produits abrasifs pour nettoyer l'appareil.
- ◆ Ne pas laisser pénétrer d'eau ni aucun autre liquide dans les orifices d'aération afin d'éviter d'endommager les parties internes de l'appareil.
- ◆ Ne pas immerger l'appareil dans l'eau ou dans tout autre liquide, ni le passer sous un robinet.
- ◆ Retirer le plateau en verre et la bague rotative pour les nettoyer. Les laver avec de l'eau chaude savonneuse ou au lave-vaisselle. Les replacer sur l'appareil.
- ◆ Il est recommandé de nettoyer l'appareil régulièrement et de retirer tous les restes d'aliments.

ANOMALIES ET RÉPARATION

- ◆ En cas de panne, remettre l'appareil à un service d'assistance technique agréé. Il est dangereux de tenter de procéder aux réparations ou de démonter l'appareil soi-même.

Pour les versions UE du produit et/ou en fonction de la législation du pays d'installation :

Écologie et recyclage de l'appareil.

- ◆ Les matériaux constituant l'emballage de cet appareil font partie d'un programme de collecte, de tri et de recyclage. Pour vous débarrasser du produit, merci de bien vouloir utiliser les conteneurs publics appropriés à chaque type de matériau.
- ◆ Le produit ne contient pas de substances concentrées susceptibles d'être considérées comme nuisibles à l'environnement.



Ce symbole signifie que si vous souhaitez vous débarrasser de l'appareil, en fin de vie utile, celui-ci devra être déposé, en prenant les mesures adaptées, à un centre agréé pour la collecte et le tri des déchets d'équipements électriques et électroniques (DEEE).

Cet appareil est certifié conforme à la directive 2014/35/EU de basse tension, de même qu'à la directive 2014/30/EU en matière de compatibilité électromagnétique, à la directive 2011/65/EU relative à la limitation de l'utilisation de certaines substances dangereuses dans les équipements électriques et électroniques et à la directive 2009/125/EC sur les conditions de conception écologique applicable aux produits en rapport avec l'énergie.

GARANTIE ET SERVICE TECHNIQUE

Ce produit est reconnu et protégé par la garantie établie conformément à la législation en vigueur. Pour faire valoir vos droits ou intérêts, vous devrez vous adresser à l'un de nos services d'assistance technique agréés.

Pour trouver le centre d'assistance le plus proche, utiliser le lien suivant : <http://www.2helpu.com/>

Vous pouvez également demander des informations supplémentaires en nous contactant (voir la dernière page de ce manuel).

Vous pouvez télécharger ce manuel d'instructions et ses mises à jour sur <http://www.2helpu.com/>

Mikrowelle BXMZ901E

Sehr geehrte Kunden,

Wir danken Ihnen für Ihre Entscheidung, ein BLACK+DECKER. Gerät zu kaufen.

Die Technologie, das Design und die Funktionalität dieses Produkts, das die anspruchsvollsten Qualitätsnormen erfüllt, werden Sie über viele Jahre zufriedenstellen.

- ◆ Lesen Sie die Gebrauchsanweisung sorgfältig, bevor Sie das Gerät einschalten und bewahren Sie diese zum Nachschlagen zu einem späteren Zeitpunkt auf. Werden die Hinweise dieser Bedienungsanleitung nicht beachtet und eingehalten, kann es zu Unfällen kommen.

RATSLÄGE UND SICHERHEITSHINWEISE

- ◆ WICHTIGE SICHERHEITSMASSNAHMEN AUFMERKSAM LESEN UND FÜR SPÄTERES NACHSCHLAGEN AUFBEWAHREN
- ◆ WARNUNG: Wenn die Türe oder ihre Versiegelung beschädigt sind, nehmen Sie das Gerät nicht in Betrieb, bis es durch qualifiziertes Personal repariert wurde.
- ◆ WARNUNG: Nur qualifiziertes Personal kann Reparaturen oder Wartungsarbeiten durchführen, die das Abnehmen einer Schutzabdeckung gegen die Mikrowellenenergie erforderlich machen, da dies zu Gefahrensituationen führen kann.
- ◆ WARNUNG: Erwärmen Sie keine Flüssigkeiten oder andere Speisen in versiegelten Behältern, da diese explodieren könnten.
- ◆ Dieser Apparat dient ausschließlich für Haushaltszwecke und ist für professionellen oder gewerblichen Gebrauch nicht geeignet. Dieses Gerät ist nur für den Hausgebrauch und nicht für gewerbliche oder industrielle Zwecke vorgesehen. Dieses Gerät ist nicht für Gäste von Gasthäusern wie Bed and Breakfast, Hotels, Motels oder von sonstigen Beherbergungsbetrieben sowie nicht für Landferienhäuser oder Personalräumen von Geschäften, Büros oder sonstigen Arbeitsstätten konzipiert worden.
- ◆ Damit das Gerät korrekt funktioniert, bedarf es einer angemessenen Ventilation. Lassen Sie 20 cm Abstand über dem Herd und 5cm an beiden Seiten.
- ◆ Verwenden Sie ausschließlich für Mikrowellen geeignete Utensilien.
- ◆ Der Gebrauch von Metallgefäßen ist verboten. Wenn Sie Speisen in Plastik- oder Papierbehältern erhitzen, überwachen Sie den Herd, da diese Feuer fangen könnten.
- ◆ Dieser Mikrowellenherd wurde zum Erwärmen von Speisen und Getränken konzipiert. Das Trocknen von Kleidung und das Erwärmen von Kissen, Hausschuhe, Schwämmen, feuchten Tüchern oder Ähnlichem kann zu Verletzungen oder Verbrennungen führen, oder einen Brand verursachen.

- ◆ Sollte sich Rauch entwickeln, schalten Sie das Gerät sofort aus und unterbrechen Sie den Netzanschluss. Halten Sie die Gerätetür geschlossen, um eventuelle Flammen zu löschen.
- ◆ Flüssigkeiten können verspätet kochen, wenn Sie in der Mikrowelle erhitzt werden. Seien Sie deshalb vorsichtig beim Umgang mit den Behältern.
- ◆ Um Verbrennungen zu vermeiden, rühren Sie Babyfläschchen und -gläschen um oder schütteln Sie diese vor ihrem Verzehr.
- ◆ Erwärmen Sie keine Eier mit Schale oder harten Eier in der Mikrowelle, da diese explodieren können, sogar nach dem Erwärmen in der Mikrowelle.
- ◆ Vor der Erstanwendung müssen die Einzelteile, die mit Nahrungsmitteln in Kontakt geraten, so wie im Absatz Reinigung beschrieben, gereinigt werden.
- ◆ Reinigen Sie den Herd häufig und halten Sie ihn frei von Speiseresten. Eine mangelhafte Reinigung könnte zu einer Verschlechterung der Oberfläche führen, die Lebensdauer des Geräts negativ beeinflussen und zu Gefahrensituationen führen.
- ◆ Verwenden Sie keine Dampfreiniger.
- ◆ Die Mikrowelle wurde nicht zum Einbau in einen Schrank konzipiert.
- ◆ Bringen Sie das Gerät nicht in einem Schrank an.
- ◆ Personen, denen es an Wissen im Umgang mit dem Gerät mangelt, geistig behinderte Personen oder Kinder ab 8 Jahren dürfen das Gerät nur unter Aufsicht oder Anleitung über den sicheren Gebrauch des Gerätes, so dass sie die Gefahren, die von diesem Gerät ausgehen, verstehen, benutzen.
- ◆ Dieses Gerät ist kein Spielzeug. Kinder nicht unbeaufsichtigt lassen, um sicherzustellen, dass sie das Gerät nicht als Spielzeug verwenden.
- ◆ Kinder dürfen die Reinigung und Pflege des Geräts nur unter Aufsicht vornehmen.
- ◆ Die zugänglichen Oberflächen können hohen Temperaturen ausgesetzt werden, während das Gerät in Betrieb ist. Dieses Gerät nicht über einen Programmschalter, eine externe Zeitschaltuhr oder eine sonstige Vorrichtung betreiben.
- ◆ Entfernen Sie nicht das Glimmerblech, das den Wellenleiter abdeckt.
- ◆ Wenn der Netzanschluss beschädigt ist, muss er ersetzt werden. Bringen Sie das Gerät zu einem zugelassenen Technischen Kundendienst. Versuchen Sie nicht, das Gerät selbst auseinanderzubauen und zu reparieren. Dabei kann es zu Gefahrensituationen kommen.

◆ Dieses Gerät ist ausschließlich für den häuslichen Gebrauch ausgelegt und ist für professionelle oder gewerbliche Zwecke nicht geeignet.

- ◆ Vergewissern Sie sich, dass die Spannung auf dem Typenschild mit der Netzspannung übereinstimmt, bevor Sie den Apparat an das Stromnetz anschließen.
- ◆ Das Gerät an einen Stromanschluss anschließen, der mindestens 10 Ampere liefert.
- ◆ Der Stecker des Geräts muss mit dem Steckdosentyp des Stromanschlusses übereinstimmen. Der Gerätestecker darf unter keinen Umständen modifiziert werden. Keine Adapter für den Stecker verwenden.
- ◆ Nicht mit Gewalt am elektrischen Anschlusskabel ziehen. Benutzen Sie das elektrische Kabel nicht zum Anheben oder Transportieren des Geräts. Den Stecker nicht am Kabel aus der Dose ziehen.
- ◆ Achten Sie darauf, dass das elektrische Verbindungskabel nicht mit heißen Teilen des Geräts in Kontakt kommt.
- ◆ Überprüfen Sie den Zustand des elektrischen Verbindungskabels. Beschädigte oder verwickelte Kabel erhöhen das Risiko von elektrischen Schlägen.
- ◆ Berühren Sie den Stecker nicht mit feuchten Händen.
- ◆ Das Gerät darf nicht mit beschädigtem elektrischem Kabel oder Stecker verwendet werden.
- ◆ Sollte ein Teil der Geräteverkleidung beschädigt sein, ist die Stromzufuhr umgehend zu unterbrechen, um einen möglichen elektrischen Schlag zu vermeiden.
- ◆ Das Gerät nicht benutzen, wenn es heruntergefallen ist, sichtbare Schäden aufweist oder undicht ist.
- ◆ Das Gerät nicht auf heiße Oberflächen sowie Kochplatten, Gasbrenner, Ofen oder Ähnliches stellen.
- ◆ Das Gerät muss auf einer ebenen und standfesten Oberfläche aufgestellt und benutzt werden.

BENUTZUNG UND PFLEGE:

- ◆ Vor jedem Gebrauch des Geräts das Stromkabel vollständig abwickeln.
- ◆ Das Gerät sollte in leerem Zustand, also ohne Inhalt, nicht benützt werden.
- ◆ Benützen Sie das Gerät nicht, wenn der An-/Ausschalter nicht funktioniert.
- ◆ Ziehen Sie den Stecker heraus und lassen Sie das Gerät abkühlen, bevor Sie mit der Reinigung beginnen.
- ◆ Das Gerät außerhalb der Reichweite von Kindern und/oder Personen mit eingeschränkten körperlichen, senso-

rischen oder geistigen Fähigkeiten bzw. Personen ohne ausreichende Erfahrung und Kenntnisse aufbewahren.

- ◆ Überprüfen Sie, dass das Ventilationsgitter des Geräts nicht mit Staub, Schmutz oder anderen Substanzen verstopft ist.
- ◆ Verwenden Sie dieses Gerät, seine Zubehörteile und seine Werkzeuge gemäß diesen Anleitungen und unter Berücksichtigung der Arbeitsbedingungen und der zu verrichtenden Arbeit. Der Gebrauch des Gerätes für andere als die vorgesehenen Zwecke kann gefährlich sein.
- ◆ **WARNUNG:** Das Gerät nicht benutzen, wenn das Glas Risse aufweist oder zerbrochen ist.

Betrieb:

- ◆ **WARNUNG:** Für jede nicht fachkundige Person ist es gefährlich, Wartungs- oder Reparaturarbeiten vorzunehmen, bei denen der Deckel, der gegen die Exposition gegenüber Mikrowellenstrahlung schützt, entfernt werden muss.
- ◆ Unsachgemäße Verwendung bzw. Nichteinhaltung der Gebrauchsanweisung kann Gefahren zur Folge haben und führt zum Erlöschen der Garantiansprüche sowie der Haftung des Herstellers.

BEZEICHNUNG

- A Mikrowellentüre
- B Türgriff
- C LED-Display
- D Anleitung des Automenüs
- E Bedienfeld
- F Mikrowellenteller
- G Rollen des Tellers
- H Backblech

- 1 Leistungswahlschalter
- 2 Uhrenschalter/Gewichtskonfigurationstaste
- 3 Grillauswahlschalter
- 4 Kombinations-Auswahlschalter
- 5 Konvektions-Auswahlschalter
- 6 Mikro+Konvektions-Auswahlschalter
- 7 Start-Taste
- 8 Start-/Stornierungstaste
- 9 Multifunktionssteuerung

Wenn Sie meinen, dass das Gerät nicht mit dem oben angeführten Zubehör ausgestattet ist, können Sie die Teile auch einzeln beim Technischen Kundendienst erwerben.

AUFSTELLUNG

- ◆ Vergewissern Sie sich, dass Sie das gesamte Verpackungsmaterial des Produkts entfernt haben.
- ◆ Die Öffnungen des Geräts dürfen weder abgedeckt noch verstopft werden.
- ◆ Der Stecker muss leicht erreichbar sein, um ihn im Notfall aus der Steckdose ziehen zu können.
- ◆ Überprüfen, ob der Ofen keinen Schaden erlitten hat, wie beispielsweise eine schlecht justierte oder verbogene Tür, eine beschädigte Versiegelung der Türen und der Oberflächen der Versiegelung, defekte oder lockere Scharniere und Verschlüsse der Tür und eine verbeulte Innenseite oder Tür. Sollte dies der Fall sein, verwenden Sie das Gerät nicht und setzen Sie sich mit dem technischen Service in Verbindung.
- ◆ Stellen Sie NICHTS auf die Mikrowelle
- ◆ Lassen Sie für eine korrekte Belüftung ca 5 cm an jeder Seite und ca 20 cm hinter dem Gerät.
- ◆ Verwenden Sie die Mikrowelle nicht im Aussenbereich.

Montage des Tellers

- ◆ Entfernen Sie die innere Verpackung der Teile.
- ◆ Platzieren Sie die Rollen des Tellers (G) in der Innenseite und stellen Sie sicher, dass sie in den inneren Vertiefung liegen.
- ◆ Platzieren Sie den Teller auf den Rollen, so dass der mittlere Teil mit dem inneren Teil der Drehvorrichtung mit dem Motor übereinstimmt.

Erster Anschluss an das Elektronetz (Allgemeine Anweisungen)

- ◆ Wenn die Mikrowelle zum ersten Mal angeschlossen wird, ertönt ein Geräusch und alle Symbole leuchten auf. Drücken Sie in diesem Moment die Start-/Stornierungstaste, um zum Standby-Modus zu gelangen.
- ◆ Wenn während des Kochvorganges 20 Minuten lang keine Funktion ausgeführt wird, begibt sich das Gerät in den Standby-Modus.
- ◆ Wird während des Kochvorganges die Start-/Stornierungstaste einmal gedrückt, wird das Programm angehalten und Sie können es durch Drücken der Multifunktionssteuerung wiederaufnehmen. Drücken Sie dieselbe Taste zweimal, wird die Funktion komplett angehalten.
- ◆ Nach Abschluss eines jeglichen Vorganges zeigt die Mikrowelle „End“ an und alle zwei Minuten ertönt ein Geräusch, um Sie daran zu erinnern, dass die Funktion abgeschlossen ist, bis Sie eine Taste drücken oder die Tür öffnen.

- ◆ Diese Mikrowelle hat eine Funktion zum Abkühlen. Wenn die Mikrowelle nach zwei Minuten Gebrauch abschließt, bleibt der Ventilator ca 3 Minuten lang eingeschaltet, damit eine korrekte Abkühlung der Mikrowelle sichergestellt wird.

Einstellen der Uhr

- ◆ Diese Mikrowelle verfügt über eine Zeitanzeige von 12h und 24h. Sie können diese durch Drücken der Uhrentaste auswählen.
- ◆ Drücken Sie im Standby-Modus ein- oder zweimal, um zwischen 12h oder 24 Stunden auszuwählen.
- ◆ Drehen Sie die Multifunktionssteuerung, um die Stunde auszuwählen.
- ◆ Die Uhrentaste drücken.
- ◆ Drehen Sie die Multifunktionssteuerung, um die Minute auszuwählen.
- ◆ Drücken Sie die Uhrentaste zum Bestätigen.
- ◆ HINWEIS: Sie können während des Kochvorganges durch Drücken auf die Uhrentaste die Zeit einsehen.

BENUTZUNGSHINWEISE

Vor der Benutzung:

- ◆ Vergewissern Sie sich, dass Sie das gesamte Verpackungsmaterial des Produkts entfernt haben.
- ◆ Das Gerät für die von Ihnen bestimmte Funktion vorbereiten.

Öffnen der Türe

- ◆ Ziehen Sie am Griff, um die Türe zu öffnen.

Schnellkochen

- ◆ Geben Sie die Speisen in die Mikrowelle und schliessen Sie die Türe.
- ◆ Drücken Sie die Start-Taste. Die Mikrowelle fängt an, bei maximaler Leistung 30 Sekunden zu kochen.
- ◆ HINWEIS: Sie können die Zeit durch Drücken auf die Starttaste um 30 Minuten verlängern.

Kochen mit der Mikrowelle:

- Geben Sie die Speisen in die Mikrowelle und schließen Sie die Türe.
- Drücken Sie den Leistungsauswahlschalter, bis Sie die gewünschte Leistung ausgewählt haben.
- Drehen Sie die Multifunktionssteuerung zum Auswählen der Zeit.

- Drücken Sie die Starttaste, um zu Kochen anzufangen.

HINWEIS: Die Mikrowelle verfügt über 9 Leistungsstufen: Drücken Sie mehrmals den Leistungsauswahlschalter, um zwischen diesen auswählen zu können. 100 % (900 W), 90 % (810 W), 80 % (720 W), 70 % (630 W), 60 % (540 W), 50 % (450 W), 40 % (360 W), 30 % (270 W), 20 % (180 W), 10 % (90 W).

HINWEIS: Die maximale Kochzeit beträgt 95 Minuten.

Kochen mit dem Grill:

- Geben Sie die Speisen in die Mikrowelle und schließen Sie die Türe.
- Drücken Sie vom StandBy-Modus die Grillauswahl-taste. Der Bildschirm zeigt ein G an.
- Drehen Sie die Multifunktionssteuerung zum Auswählen der Zeit.
- Drücken Sie die Starttaste, um die Funktion zu starten.

HINWEIS: Die maximale Kochzeit beträgt 95 Minuten.

Kombination

- Geben Sie die Speisen in die Mikrowelle und schließen Sie die Türe.
- Drücken Sie im StandBy-Modus die Kombinations-Auswahl-taste ein- oder zweimal, um den Modus Co-1, oder Co-2 auszuwählen.
- Drehen Sie die Multifunktionssteuerung zum Auswählen der Zeit.
- Drücken Sie die Starttaste, um die Funktion zu starten.

HINWEIS: Co-1 verwendet 30% an Mikrowellenleistung und 70% an Grilleistung. Der Modus Co-2 verwendet 55 % an Mikrowellenleistung und 45 % an Grilleistung.

Konvektion

Während des Konvektions-Kochvorganges zirkuliert die heiße Luft durch das Innere der Mikrowelle, damit die Speisen schnell und gleichmäßig knusprig werden. Dieser Herd hat verschiedene Temperaturkonfigurationen: 200°C, 190°C, 180°C, 170°C, 160°C, 150°C, 150°C, 14°C, 130°C, 120°C, 110°C.

Um den Ofen vorzuheizen:

- Drücken Sie im Standby-Modus die Konvektions-Auswahl-taste, um die gewünschte Temperatur auszuwählen.
- Drücken Sie die Start-Taste zum Bestätigen. Der Herd beginnt den Aufwärmvorgang und teilt Ihnen mit, wenn die gewünschte Temperatur erreicht

wurde. Nach Erreichen der Temperatur ertönt alle 5 Minuten ein Geräusch.

HINWEIS: Betätigen Sie in diesem Modus die Mikrowelle eine halbe Stunde lang nicht, schaltet sich das Gerät automatisch ab.

Um nach dem Vorheizen zu kochen:

- Öffnen Sie die Türe und geben Sie die Speise in einem geeigneten Behälter in den Herd. TIP: Sie können das mitgelieferte Backblech verwenden.
- Drehen Sie die Multifunktionssteuerung zum Auswählen der Zeit.
- Drücken Sie die Starttaste, um zu Kochen anzufangen.

HINWEIS: Sie können während des Kochvorganges die Ofentemperatur durch Drücken der Konvektionstaste ablesen.

Mikrowelle + Konvektion

Diese Mikrowelle kann Mikrowellen mit Konvektion mischen, um neue Funktionen in der Küche zu bieten. Sie hat vier der Temperaturen, mit welchen Sie arbeiten können. 200°C, 170°C, 140°C, 110°C.

- Aus dem StandBy-Modus drücken Sie den Auswahlschalter für Mikrowelle+Konvektion, um die gewünschte Temperatur auszuwählen.
- Drehen Sie den Multifunktionsschalter, um zu Kochen zu beginnen.
- Drücken Sie die Starttaste, um zu Kochen anzufangen.

Auftauen

- Geben Sie die Speisen, die Sie auftauen möchten, in die Mikrowelle und schließen Sie die Türe.
- Drehen Sie im StandBy-Modus den Multifunktions-schalter.
- Drehen Sie den Multifunktionsschalter, um zu Kochen zu beginnen.
- Drücken Sie die Start-Taste, um mit dem Auftauen zu beginnen.

HINWEIS: Während des Auftauprozesses gibt das System Geräusche von sich und stoppt, damit Sie die Speisen umdrehen können. Drücken Sie danach den Drehschalter, um den Vorgang wiederaufzunehmen.

Mehrschritt-Kochen

Erlaubt das Durchführen von 3 Kochschritten.

Nehmen wir beispielsweise an, dass Sie die Mikrowelle sei 100%iger Leistung verwenden möchten, um Fleisch während 15 Minuten zu kochen und den Grill 5 Minuten lang verwenden möchten.

- Drücken Sie den Leistungsauswahlschalter einmal.
- Verwenden Sie die Drehtaste, um 15 Minuten einzustellen.
- Drücken Sie danach die Grill-Auswahltaste.
- Passen Sie die Zeit mithilfe des Drehschalters an.
- Drücken Sie die Start-Taste.

HINWEIS: Die Auto-Menüs, die Auftaufunktion und/oder das Schnellkochen können in diesem Modus nicht verwendet werden.

Kindersicherung

Diese Funktion wird verwendet, um einen unbemerkten Gebrauch durch Kinder zu verhindern.

Die Kindersicherung wird automatisch nach einer Minute ohne Funktion deaktiviert. In diesem Zustand sind alle Tasten deaktiviert.

Um den Modus zu stornieren, öffnen Sie die Türe der Mikrowelle.

AUTOMENÜ

Zum Verwenden dieser nützlichen Funktion müssen Sie das Gewicht des Produkts und dessen Beschaffenheit wissen, wenn es sich beispielsweise um Milch handelt, müssen Sie „Flüssigkeit“ eingeben.

Um die Funktion zu verwenden:

- Drehen Sie den Drehschalter nach links, um das richtige Menü auszuwählen (A1 bis A9, Sie finden nachstehend eine Tafel mit den Entsprechungen).
- Drücken Sie den Gewichts-Konfigurierer, um das Gewicht oder die Portionen auszuwählen.
- Drücken Sie die Start-Taste, um das Programm zu starten.

Menü	Gewicht/Menge
A1 Kartoffeln	1-3 Portionen
A2 Milch/Kaffee/Flüssigkeit	1-3 Gläser (200 ml)
A3 Popcorn	99 g
A4 Aufwärmen	200 – 800 g
A5 Pasta	100 g (450 ml wasser)
	200 g (800 ml wasser)
	300 g (1200 ml wasser)
A6 Pizza	150 – 450 g
A7 Hähnchen	800 – 1400 g
A8 Kuchen	475 g
A9 Auftauen	Sehen Sie dazu die Auswahl des Handbuchs.

HINWEIS: Für den Modus 7 stoppt die Mikrowelle bei der halben Zeit des Vorganges, um die Speisen umzudrehen. Schließen Sie danach die Türe und drücken Sie die Start-taste, um den Kochvorgang wiederaufzunehmen.

HINWEIS: Das Ergebnis des Automenüs hängt von vielen Faktoren ab. Sind Sie mit dem Ergebnis nicht zufrieden, passen Sie die Kochzeit an.

Nach der Benutzung des Geräts:

- ◆ Reinigen Sie das Gerät.

REINIGUNG

- ◆ Ziehen Sie den Stecker heraus und lassen Sie das Gerät abkühlen, bevor Sie mit der Reinigung beginnen.
- ◆ Reinigen Sie das Gerät mit einem feuchten Tuch, auf das Sie einige Tropfen Reinigungsmittel geben und trocknen Sie es danach ab.
- ◆ Verwenden Sie zur Reinigung des Geräts weder Löse- oder Scheuermittel, noch Produkte mit einem sauren

oder basischen pH-Wert wie z.B. Lauge.

- ◆ Lassen Sie kein Wasser oder andere Flüssigkeiten in die Belüftungsöffnungen eindringen, um Schäden an den inneren Funktionsteilen des Gerätes zu vermeiden.
- ◆ Das Gerät nicht in Wasser oder andere Flüssigkeiten tauchen und nicht unter den Wasserhahn halten.
- ◆ Entfernen Sie das Glastablett und den Drehring, um diese zu reinigen. Mit warmer Seifenlauge oder in der Geschirrspülmaschine waschen. Die Filter wieder in ihrer korrekten Position anbringen.
- ◆ Es wird empfohlen, Speisereste regelmäßig vom Gerät zu entfernen.

STÖRUNGEN UND REPARATUR

- ◆ Bei Schäden und Störungen bringen Sie das Gerät zu einem zugelassenen Technischen Kundendienst. Versuchen Sie nicht, das Gerät selbst auseinanderzubauen und zu reparieren. Das könnte Gefahren zur Folge haben.

Für die EU-Ausführungen des Produkts und/oder für Länder, in denen diese Vorschriften anzuwenden sind:

Ökologie und Recycling des Produkts

- ◆ Die zur Herstellung des Verpackungsmaterials dieses Gerätes verwendeten Materialien sind im Sammel-, Klassifizierungs- und Recyclingsystem integriert. Wenn Sie es entsorgen möchten, so können Sie die öffentlichen Container für die betreffenden Materialarten verwenden.
- ◆ Das Produkt ist frei von umweltschädlichen Konzentrationen von Substanzen.



Dieses Symbol weist darauf hin, dass das Produkt, wenn Sie es am Ende seiner Lebensdauer entsorgen wollen, in geeigneter Weise bei einer zugelassenen Entsorgungsstelle abzugeben ist, um die getrennte Sammlung von Elektro- und Elektronikgeräte-Abfall (WEEE)

sicherzustellen.

Dieses Gerät erfüllt die Richtlinie 2014/35/EU über Niederspannung, die Richtlinie 2014/30/EU über elektromagnetische Verträglichkeit, die Richtlinie 2011/65/EU zur Beschränkung der Verwendung bestimmter gefährlicher Stoffe in Elektro- und Elektronikgeräten und die Richtlinie 2009/125/EC über die Anforderungen an die umweltgerechte Gestaltung energiebetriebener Produkte.

GARANTIE UND TECHNISCHER SERVICE

Dieses Produkt ist von der gesetzlichen Garantie gemäß der geltenden Gesetzgebung geschützt. Um Ihre Rechte oder Interessen auszuüben, müssen Sie einen unserer technischen Servicezentren aufsuchen.

Sie können den nächstliegenden unter folgendem Link finden: <http://www.2helpu.com/>

Sie können sich auch für jegliche Informationen mit uns in Verbindung setzen (Siehe letzte Seite dieses Handbuchs).

Sie können dieses Benutzerhandbuch und seine Aktualisierungen unter <http://www.2helpu.com/>

**Microonde
BXMZ901E****Egregio cliente,**

La ringraziamo per aver scelto di comprare un prodotto della marca BLACK+DECKER.

La sua tecnologia, il suo design e la sua funzionalità, oltre al fatto di aver superato le più rigorose norme di qualità, le assicureranno una totale e durevole soddisfazione.

◆ Prima di utilizzare l'apparecchio, leggere attentamente le istruzioni riportate nel presente opuscolo e conservarlo per future consultazioni. La mancata osservanza delle presenti istruzioni può essere causa di incidenti.

**CONSIGLI E AVVERTENZE
PER LA SICUREZZA**

- ◆ **IMPORTANTI MISURE DI SICUREZZA LEGGERE ATTENTAMENTE E CONSERVARE PER FUTURE CONSULTAZIONI.**
- ◆ **AVVERTIMENTO:** Se la porta o la sua guarnizione è danneggiata, non avviare l'apparecchio finché non sia stato riparato da personale qualificato.
- ◆ **AVVERTIMENTO:** Solo il personale qualificato può eseguire riparazioni o interventi di manutenzione che richiedano la rimozione di qualche elemento di protezione contro l'energia a microonde, giacché può essere pericoloso.
- ◆ **AVVERTIMENTO:** Non riscaldare liquidi o altri alimenti in recipienti sigillati, perché potrebbero esplodere.
- ◆ Questo apparecchio è destinato unicamente all'uso domestico, non professionale o industriale. L'apparecchio è stato progettato per un uso esclusivamente domestico e non è destinato a un uso professionale e industriale. Non è adatto all'utilizzo da parte di ospiti di strutture ricettive, quali bed and breakfast, hotel, motel e altri tipi di ambienti residenziali, compresi agriturismo o aree di riposo per il personale di negozi, uffici e altri ambienti di lavoro.
- ◆ Per un corretto funzionamento, l'apparecchio necessita un'adeguata ventilazione. Lasciare 20 cm di spazio sopra il forno e 5 cm a entrambi i lati.
- ◆ Utilizzare esclusivamente utensili atti per il microonde.
- ◆ È vietato usare recipienti metallici. Quando si riscaldano alimenti in recipienti di plastica o di carta, sorvegliare il forno, giacché potrebbero ardere.
- ◆ Questo forno a microonde è stato progettato per riscaldare alimenti e bevande. Asciugare alimenti o indumenti e riscaldare cuscini, scarpe da ginnastica, spugne, panni umidi o simili, può portare a lesioni, scottature o incendi.
- ◆ Se apparisse fumo, spegnere o scollegare l'apparecchio e tenere la porta chiusa, in modo da spegnere le eventuali fiamme.

- ◆ I liquidi possono avere un'ebollizione ritardata, se riscaldati nel microonde, pertanto si deve manipolare il recipiente con attenzione.
- ◆ Per evitare scottature, rimuovere o agitare i biberon e gli omogeneizzati e verificarne la temperatura prima del consumo.
- ◆ Non riscaldare nel microonde uova con il guscio né uova sode, giacché potrebbero esplodere anche dopo il termine del riscaldamento nel forno.
- ◆ Prima del primo utilizzo dell'apparecchio, si consiglia di pulire tutte le parti a contatto con gli alimenti, come indicato nella sezione dedicata alla pulizia.
- ◆ Pulire frequentemente il forno ed eliminare sempre i resti di cibo. La mancanza di pulizia potrebbe portare a un deterioramento della superficie, pregiudicare la vita utile dell'apparecchio e provocare situazioni pericolose.
- ◆ Non utilizzare pulitori a vapore.
- ◆ Il microonde non è stato progettato per essere incassato.
- ◆ Non collocare l'apparecchio in un armadio.
- ◆ Questo apparato può essere utilizzato da persone che non ne conoscono il funzionamento, persone disabili o bambini di età superiore a 8 anni, esclusivamente sotto la sorveglianza di un adulto o nel caso abbiano ricevuto le istruzioni per un suo uso in tutta sicurezza e ne comprendano i rischi.
- ◆ Questo apparecchio non è un giocattolo. Assicurarsi che i bambini non giochino con l'apparecchio.
- ◆ Non permettere che i bambini eseguano pulizia o manutenzione senza supervisione.
- ◆ Quando l'apparecchio è in funzione, la temperatura delle superfici accessibili può essere elevata. Non collegare l'apparecchio a programmatori, timer o altri dispositivi che ne consentano il funzionamento automatico.
- ◆ Non rimuovere il vassoio di mica che ricopre la guida delle onde.
- ◆ Se la connessione alla rete elettrica è danneggiata, è necessario sostituirla. Portare l'apparecchio a un servizio di assistenza tecnica autorizzato. Non tentare di smontare o riparare l'apparecchio: può essere pericoloso.
- ◆ Questo apparecchio è destinato unicamente ad un uso domestico, non professionale o industriale.
- ◆ Prima di collegare l'apparecchio alla rete elettrica, verificare che il voltaggio indicato sulla targhetta caratteristiche e il selettore di voltaggio corrispondano al voltaggio della rete.

- ◆ Collegare l'apparecchio a una base dotata di messa a terra in grado di sostenere almeno 10 ampere.
- ◆ Verificare che la presa sia adatta alla spina dell'apparecchio. Non apportare alcuna modifica alla spina. Non usare adattatori.
- ◆ Non tirare il cavo elettrico. Non usare mai il cavo elettrico per sollevare, trasportare o scollegare l'apparecchio.
- ◆ Non lasciare che il cavo di connessione penda dal tavolo o entri a contatto con le superfici calde dell'apparecchio.
- ◆ Controllare lo stato del cavo di alimentazione: I cavi danneggiati o attorcigliati aumentano il rischio di scariche elettriche.
- ◆ Non toccare mai la spina con le mani bagnate.
- ◆ Non utilizzare l'apparecchio se il cavo di alimentazione o la spina sono danneggiati.
- ◆ In caso di rottura di una parte dell'involucro esterno dell'apparecchio, scollegare immediatamente la spina dalla presa di corrente, al fine di evitare eventuali scariche elettriche.
- ◆ Non usare l'apparecchio dopo una caduta, se presenta danni visibili o in presenza di qualsiasi perdita.
- ◆ Non collocare l'apparecchio su superfici calde come piastre di cottura, bruciatori a gas, forni o simili.
- ◆ L'apparecchio deve essere collocato e utilizzato su una superficie piana e stabile.

PRECAUZIONI D'USO:

- ◆ Prima di ogni utilizzo, svolgere completamente il cavo dell'apparecchio.
- ◆ Non avviare mai l'apparecchio a vuoto.
- ◆ Non utilizzare l'apparecchio se il suo dispositivo di accensione/spengimento non funziona.
- ◆ Scollegare la spina dalla presa di corrente quando l'apparecchio non è in uso e prima di eseguire qualsiasi operazione di pulizia.
- ◆ Conservare questo apparecchio fuori dalla portata dei bambini e/o di persone con problemi fisici, mentali o di sensibilità, o con mancanza di esperienza e conoscenza.
- ◆ Accertarsi che le griglie di ventilazione dell'apparecchio non siano ostruite da polvere, sporizia o altri oggetti.
- ◆ Usare l'apparecchio, i suoi accessori e gli utensili secondo queste istruzioni, tenendo in considerazione le condizioni di lavoro e il lavoro da svolgere. Utilizzare l'apparecchio per operazioni diverse da quelle previste potrebbe causare una situazione di pericolo.
- ◆ **AVVERTIMENTO:** Non utilizzare l'apparecchio se il vetro è incrinato o rotto.

Servizio:

- ◆ **AVVERTIMENTO:** È pericoloso per ogni persona non competente effettuare operazioni di mantenimento o riparazione che richiedano la rimozione del coperchio protettivo contro l'esposizione all'energia delle microonde.
- ◆ Il produttore invalida la garanzia e declina ogni responsabilità in caso di uso inappropriato dell'apparecchio o non conforme alle istruzioni d'uso.

DESCRIZIONE

- A Porta del microonde
- B Maniglia della porta
- C Display LED
- D Guida menù automatico
- E Pannello di controllo
- F Piatto del microonde
- G Rotelle del piatto
- H Vassoio per infornare

- 1 Selettore di potenza
- 2 Pulsante dell'orologio/Configuratore di peso
- 3 Selettore grill
- 4 Selettore di combinazione
- 5 Selettore di convezione
- 6 Selettore Micro+convezione
- 7 Pulsante di avvio
- 8 Pulsante arresta/cancella
- 9 Comando multifunzione

Se il modello del Suo apparecchio non fosse dotato degli accessori anteriormente elencati, può acquistarli separatamente presso i punti di assistenza tecnica autorizzati.

INSTALLAZIONE

- ◆ Accertarsi di aver tolto tutto il materiale d'imballaggio dall'apparecchio.
- ◆ Non coprire né ostruire le aperture dell'apparecchio.
- ◆ La spina deve essere facilmente accessibile, per poterla scollegare in caso di emergenza.
- ◆ Verificare che il forno non abbia sofferto danni, come ad esempio che la porta non sia mal allineata o piegata, la guarnizione delle porte e la superficie di sigillatura, che le cerniere e le chiusure della porta non siano rotte o allentate e che non siano presenti ammaccature nella cavità o sulla porta. Se così fosse, non utilizzare l'apparecchio e mettersi in contatto con il servizio di

assistenza tecnica.

- ◆ Non collocare nulla sopra il microonde.
- ◆ Lasciare circa 5 cm su ogni lato e circa 20 cm nella parte posteriore per una corretta ventilazione.
- ◆ Non utilizzare il microonde in spazi esterni.

Montaggio del piatto

- ◆ Rimuovere l'imballaggio interno dei vari pezzi.
- ◆ Posizionare le rotelle del piatto (G) nella cavità interna del microonde, assicurandosi di inserirle nella fessura interna.
- ◆ Posizionare il piatto sopra le rotelle, incastrando il centro nell'elemento interno di rotazione del motore.

Primo collegamento alla rete elettrica (Istruzioni generali)

- ◆ Quando si collega per la prima volta il microonde, questo emetterà un bip e tutti i simboli si illumineranno. In questo momento, premere il pulsante arresta/cancella per entrare nella modalità Standby.
- ◆ Durante la cottura, se non si esegue alcuna funzione, trascorsi venti secondi entrerà in modalità Standby.
- ◆ Durante la cottura, se si preme il pulsante arresta/cancella una volta, il programma entrerà in pausa e si potrà riavviare premendo nuovamente il comando multifunzione. Se preme lo stesso pulsante due volte, la funzione si arresta completamente.
- ◆ Dopo aver terminato qualsiasi processo, il microonde visualizzerà "End" e suonerà ogni due minuti per ricordar che la funzione ha terminato, finché non si preme qualche pulsante o si apra la porta.
- ◆ Questo microonde possiede una funzione per raffreddare. Dopo due minuti di utilizzo, quando termini, il ventilatore rimarrà acceso per circa 3 minuti, per assicurare il corretto raffreddamento del microonde.

Programmazione dell'orologio

- ◆ Questo microonde possiede un visualizzatore dell'ora in formato 12 e 24 ore. Tale formato si può selezionare premendo il pulsante dell'orologio.
- ◆ Nella modalità Standby, premere una o due volte per selezionare 12 o 24 ore.
- ◆ Ruotare il comando multifunzione per selezionare l'ora.
- ◆ Premere il pulsante dell'orologio.
- ◆ Girare il comando multifunzione per selezionare i minuti.
- ◆ Premere il pulsante dell'orologio per confermare.
- ◆ NOTA: Durante la cottura, si può consultare l'ora premendo il pulsante dell'orologio.

MODALITÀ D'USO

Prima dell'uso:

- ◆ Assicurarsi di aver rimosso dal prodotto tutto il materiale di imballaggio.
- ◆ Preparare l'apparecchio secondo la funzione desiderata:

Apertura della porta

- ◆ Per aprire la porta, tirare il suo manico.

Cottura rapida

- ◆ Posizionare il cibo dentro il microonde e chiudere la porta.
- ◆ Premere il pulsante di inizio. Il microonde inizierà a cucinare alla massima potenza per 30 secondi.
- ◆ NOTA: È possibile aumentare il tempo di 30 secondi per ogni impulso del pulsante di avvio.

Cucinare a microonde:

- Posizionare il cibo dentro il microonde e chiudere la porta.
- Nella modalità Standby, premere il selettore della potenza per selezionare la potenza desiderata.
- Girare il comando multifunzione per selezionare il tempo.
- Premere il pulsante di avvio per iniziare a cuocere.

NOTA: Il microonde possiede 9 livelli di potenza: Premere ripetutamente il selettore di potenza per selezionare quella desiderata. 100 % (900 W), 90 % (810 W), 80 % (720 W), 70 % (630 W), 60 % (540 W), 50 % (450 W), 40 % (360 W), 30 % (270 W), 20 % (180W), 10 % (90 W).

NOTA: Il tempo massimo di cottura è di 95 minuti.

Cottura con grill

- Posizionare il cibo dentro il microonde e chiudere la porta.
- Nella modalità Standby, premere il selettore del grill. Sul display apparirà una G.
- Girare il comando multifunzione per selezionare il tempo.
- Premere il pulsante di avvio per avviare la funzione.

NOTA: Il tempo massimo di cottura è di 95 minuti.

Combinato

- Posizionare il cibo dentro il microonde e chiudere la porta.
- Nella modalità Standby, premere il selettore di com-

binazione due o tre volte per selezionare la modalità Co-1 o Co-2.

- Girare il comando multifunzione per selezionare il tempo.
- Premere il pulsante di avvio per avviare la funzione.

NOTA: Co-1 utilizza il 30 % di potenza a microonde e il 70 % di potenza del grill. La modalità Co-2 utilizza il 55 % di potenza a microonde e il 45 % di potenza del grill.

Convezione

Durante la cottura a convezione, l'aria calda circola all'interno del microonde per rendere i cibi croccanti in modo più rapido e uniforme. Questo forno possiede varie configurazioni della temperatura: 200 °C, 190 °C, 180 °C, 170 °C, 160 °C, 150 °C, 150 °C, 140 °C, 130 °C, 120 °C, 110 °C.

Per preriscaldare il forno:

- Nella modalità Standby, premere il selettore di convezione per selezionare la temperatura desiderata.
- Premere il pulsante di avvio per confermare. Il forno inizierà a riscaldare e avviserà quando arrivi alla temperatura desiderata. Dopo averla raggiunta, suonerà ogni 5 minuti.

NOTA: Se non si avvia il microonde in questa modalità per mezz'ora, questo si scollegherà automaticamente.

Per cucinare dopo il preriscaldamento

- Aprire la porta e posizionare il cibo all'interno, utilizzando un recipiente consono. CONSIGLIO: Si può utilizzare il vassoio per infornare che forniamo in dotazione.
- Girare il comando multifunzione per selezionare il tempo.
- Premere il pulsante di avvio per iniziare a cuocere.

NOTA: Durante la cottura si può consultare la temperatura del forno premendo il pulsante della convezione.

Microonde + Convezione

Questo microonde può combinare il microonde con la convezione, per offrire nuove funzioni di cottura. Si può lavorare con quattro delle sue temperature: 200 °C, 170 °C, 140 °C, 110 °C.

- Nella modalità Standby, premere il selettore microonde + convezione per selezionare la temperatura desiderata.
- Ruotare il comando multifunzione per selezionare il tempo di cottura.
- Premere il pulsante di avvio per iniziare a cuocere.

Scongelare

- Posizionare il cibo che si desidera scongelare nel microonde e chiudere la porta.
- Nella modalità Standby, girare il comando multifunzione.
- Ruotare il comando multifunzione per selezionare il tempo di cottura.
- Premere il pulsante di avvio per iniziare a scongelare.

NOTA: Durante il processo di scongelamento, il sistema suonerà e si arresterà per consentire di girare il cibo. Una volta terminato, premere il comando rotatorio per riprendere la funzione.

Cottura multi-fase

Si possono accumulare 3 fasi di cottura.

Ad esempio, supponiamo che si desideri utilizzare il microonde al 100% per cuocere una carne per 15 minuti e poi usare il grill per 5 minuti.

- Premere una volta il pulsante selettore di potenza.
- Utilizzare il comando per programmare 15 minuti.
- Poi premere il pulsante selettore del grill.
- Regolare il tempo con il comando rotatorio.
- Premere il pulsante di inizio.

NOTA: In questa modalità non è possibile utilizzare il menù automatico, lo scongelamento e/o la cottura rapida.

Blocco per bambini

Questa funzione si utilizza per prevenire un uso accidentale da parte dei bambini.

Il blocco per bambini si attiva automaticamente trascorso un minuto durante il quale non siano eseguite azioni. In questo stato, tutti i pulsanti saranno disattivati.

Per cancellare la modalità, aprire la porta del microonde.

MENÙ AUTOMATICO

Per usare questa semplice ed utile funzione, si dovranno conoscere il peso e la natura del prodotto, ad esempio, se è latte, si dovrà segnare liquido.

Per usare la funzione:

- Girare il comando rotatorio verso sinistra per selezionare il menù corretto (da A1 a A9, a continuazione si troverà una tabella delle corrispondenze).
- Premere il configuratore di peso per selezionare il peso o le razioni.
- Premere il pulsante per avviare il programma.

Menù	Peso / Quantità
A1 Patate	1-3 razioni
A2 Latte/Caffè/Liquidi	1-3 bicchieri (200 ml)
A3 Popcorn	99 g
A4 Riscaldare	200 – 800 g
A5 Pasta	100 g (450 ml acqua)
	200 g (800 ml acqua)
	300 g (1200 ml acqua)
A6 Pizza	150 – 450 g
A7 Pollo	800 – 1400 g
A8 Torte	475 g
A9 Scongelare	Vedere la relativa sezione del manuale.

NOTA: Per la modalità 7, il microonde si arresterà alla metà del processo per girare il cibo. Una volta terminato, chiudere la porta e premere il pulsante di avvio per riprendere la cottura.

NOTA: Il risultato del Menù automatico dipenderà da molti fattori. Se il risultato non è del tutto soddisfacente, regolare il tempo di cottura.

Una volta concluso l'utilizzo dell'apparecchio:

- ◆ Pulire l'apparecchio.

PULIZIA

- ◆ Scollegare la spina dalla rete elettrica e aspettare che l'apparecchio si raffreddi, prima di eseguirne la pulizia.
- ◆ Pulire il gruppo elettrico con un panno umido, quindi asciugarlo.
- ◆ Per la pulizia non impiegare solventi o prodotti a pH acido o basico, come la candeggina, né prodotti abrasivi.

- ◆ Non lasciar entrare acqua o altri liquidi nelle fenditure del sistema di ventilazione, per non danneggiare le parti operative dell'apparecchio.
- ◆ Non immergere l'apparecchio in acqua o altri liquidi, né lavarlo con acqua corrente.
- ◆ Rimuovere il vassoio di vetro e l'anello girevole per pulirli. Lavarli in acqua calda con sapone o nella lavastoviglie. Collocarli nuovamente nella corretta posizione.
- ◆ Si raccomanda di pulire l'apparecchio periodicamente e di rimuovere tutti i residui di cibo.

ANOMALIE E RIPARAZIONI

- ◆ In caso di guasto, rivolgersi ad un Centro d'Assistenza Tecnica autorizzato. Non tentare di smontare o di riparare l'apparecchio: può essere pericoloso.

Per i prodotti dell'Unione Europea e/o nel caso in cui sia previsto dalla legislazione del Suo paese di origine:

Prodotto ecologico e riciclabile

- ◆ I materiali che costituiscono l'imballaggio di questo apparecchio sono compresi in un sistema di raccolta, classificazione e riciclaggio degli stessi. Per lo smaltimento, utilizzare gli appositi contenitori pubblici, adatti per ogni tipo di materiale.
- ◆ Il prodotto non contiene concentrazioni di sostanze considerate dannose per l'ambiente.



Questo simbolo indica che, per smaltire il prodotto al termine della sua durata utile, occorre depositarlo presso un ente di smaltimento autorizzato alla raccolta differenziata di rifiuti di apparecchiature elettriche ed elettroniche (RAEE).

Questo apparecchio rispetta la Direttiva 2014/35/EU di Bassa Tensione, la Direttiva 2014/30/EU di Compatibilità Elettromagnetica, la Direttiva 2011/65/EU sui limiti d'impiego di determinate sostanze pericolose negli apparecchi elettrici ed elettronici e la Direttiva 2009/125/EC riguardante l'Ecodesign dei prodotti che consumano energia.

GARANZIA E ASSISTENZA TECNICA

Questo prodotto possiede il riconoscimento e la protezione della garanzia legale di conformità con la legislazione vigente. Per far valere i suoi diritti o interessi, dovrà rivolgersi a uno qualsiasi dei nostri servizi ufficiali di assistenza tecnica.

Potrà trovare il più vicino a lei seguendo questo link: <http://www.2helpu.com/>

Potrà anche richiedere qualsiasi tipo di informazioni a questo riguardo contattandoci direttamente (Vedere l'ultima pagina di questo manuale).

Può scaricare questo manuale di istruzioni e i suoi aggiornamenti da <http://www.2helpu.com/>

Microondas BXMZ901E

Distinguido cliente:

Le agradecemos que se haya decidido por la compra de un producto de la marca BLACK+DECKER.

Su tecnología, diseño y funcionalidad, junto con el hecho de superar las más estrictas normas de calidad le compararán total satisfacción durante mucho tiempo.

- ◆ Leer atentamente este folleto de instrucciones antes de poner el aparato en marcha y guardarlo para posteriores consultas. La no observación y cumplimiento de estas instrucciones pueden comportar como resultado un accidente.

CONSEJOS Y ADVERTENCIAS DE SEGURIDAD

- ◆ MEDIDAS DE SEGURIDAD IMPORTANTES LEER ATENTAMENTE Y CONSERVAR PARA POSTERIORES CONSULTAS.
- ◆ ADVERTENCIA: Si la puerta o su sellado están dañados, no ponga en funcionamiento el aparato hasta que sea reparado por personal cualificado.
- ◆ ADVERTENCIA: Solo personal cualificado puede realizar reparaciones o trabajos de mantenimiento que precisen quitar alguna cubierta de protección contra la energía de microondas ya que podría resultar peligroso.
- ◆ ADVERTENCIA: No caliente líquidos u otros alimentos en recipientes sellados ya que podrían explotar.
- ◆ Este aparato está pensado únicamente para un uso doméstico, no para uso profesional ni industrial. No está pensado para ser usado por clientes en entornos de hostelería de tipo alojamiento y desayuno, hoteles, moteles y otros entornos de tipo residencial, tampoco en casas rurales, zonas de cocina reservadas para el personal en tiendas, oficinas y otros entornos de trabajo.
- ◆ El aparato requiere una ventilación adecuada con el fin de que funcione correctamente. Dejar 20 cm de espacio libre por encima del horno y 5 cm a ambos lados.
- ◆ Utilice exclusivamente utensilios aptos para microondas.
- ◆ El uso de recipientes metálicos está prohibido. Cuando caliente alimentos en recipientes de plástico o de papel, vigile el horno debido a la posibilidad de que éstos ardan.
- ◆ Este horno microondas ha sido diseñado para calentar alimentos y bebidas. Secar alimentos o ropa y calentar almohadillas, zapatillas, esponjas, paños humedecidos o similares, puede provocar lesiones, quemaduras o fuego.
- ◆ Si aparece humo, parar o desconectar el aparato y mantener la puerta cerrada para apagar las posibles llamas.
- ◆ Los líquidos pueden sufrir una ebullición retardada al ser calentados

en el microondas; Por lo tanto, se debe tener cuidado al manipular el recipiente.

- ◆ Para evitar quemaduras, remueva o agite los biberones y los potitos y compruebe su temperatura antes de ser consumidos.
- ◆ No calentar en el microondas huevos con cáscara ni los huevos duros ya que podrían explotar, incluso después de finalizado el calentamiento en el microondas.
- ◆ Antes del primer uso, limpiar todas las partes del producto que puedan estar en contacto con alimentos, procediendo tal como se indica en el apartado de limpieza.
- ◆ Limpiar el horno frecuentemente y mantenerlo libre de restos de alimentos. La falta de limpieza podría conducir a un deterioro de la superficie, afectar negativamente a la vida útil del aparato y provocar situaciones peligrosas.
- ◆ No utilizar limpiadores a vapor.
- ◆ El microondas no ha sido diseñado para ser encastrado.
- ◆ No colocar el aparato en un armario.
- ◆ Este aparato pueden utilizarlo niños a partir de 8 años de edad y personas con capacidades físicas, sensoriales o mentales reducidas o falta de experiencia y conocimiento, bajo supervisión o con una formación apropiada comprendiendo los peligros que implica.
- ◆ Este aparato no es un juguete. Los niños deberían ser supervisados para asegurar que no juegan con el aparato.
- ◆ No permitir que los niños realicen la limpieza y el mantenimiento sin supervisión.
- ◆ La temperatura de la puerta y otras superficies accesibles puede ser elevada cuando el aparato está en funcionamiento. No usar ningún programador, temporizador u otro dispositivo que conecte el aparato automáticamente.
- ◆ No retire la bandeja de mica que cubre la guía de ondas.
- ◆ Si la conexión al suministro de red está dañada, debe ser sustituida. Llevar el aparato a un Servicio de Asistencia Técnica autorizado. No intente desmontarlo o repararlo usted mismo ya que puede resultar peligroso.
- ◆ Este aparato está pensado únicamente para un uso doméstico, no para uso profesional o industrial.
- ◆ Antes de conectar el aparato a la red, verificar que el voltaje indicado en la placa de características coincide con el voltaje de red.
- ◆ Conectar el aparato a una base de toma de corriente provista de toma de tierra y que soporte como mínimo 10 amperios.
- ◆ La clavija del aparato debe coincidir con la base eléctrica de la toma de corriente. Nunca modificar la clavija.

No usar adaptadores de clavija.

- ◆ No forzar el cable eléctrico de conexión. Nunca usar el cable eléctrico para levantar, transportar o desenchufar el aparato.
- ◆ No dejar que el cable eléctrico de conexión quede colgando de la mesa o quede en contacto con las superficies calientes del aparato.
- ◆ Verificar el estado del cable eléctrico de conexión. Los cables dañados o enredados aumentan el riesgo de choque eléctrico.
- ◆ No tocar la clavija de conexión con las manos mojadas.
- ◆ No utilizar el aparato con el cable eléctrico o la clavija dañada.
- ◆ Si alguna de las envolturas del aparato se rompe, desconectar inmediatamente el aparato de la red para evitar la posibilidad de sufrir un choque eléctrico.
- ◆ No utilizar el aparato si ha caído, si hay señales visibles de daños, o si existe fuga.
- ◆ No colocar el aparato sobre superficies calientes tales como placas de cocción, quemadores de gas, hornos o similares.
- ◆ El aparato debe utilizarse y colocarse sobre una superficie plana y estable.

UTILIZACIÓN Y CUIDADOS:

- ◆ Antes de cada uso, extender completamente el cable de alimentación del aparato.
- ◆ No utilizar el aparato vacío.
- ◆ No usar el aparato si su dispositivo de puesta en marcha/paro no funciona.
- ◆ Desenchufar el aparato de la red cuando no se use y antes de realizar cualquier operación de limpieza.
- ◆ Guardar este aparato fuera del alcance de los niños y/o personas con capacidades físicas, sensoriales o mentales reducidas o falta de experiencia y conocimiento.
- ◆ Verificar que las rejillas de ventilación del aparato no queden obstruidas por polvo, suciedad u otros objetos.
- ◆ Usar este aparato, sus accesorios y herramientas de acuerdo con estas instrucciones, teniendo en cuenta las condiciones de trabajo y el trabajo a realizar. Usar el aparato para operaciones diferentes a las previstas podría causar una situación de peligro.
- ◆ **ADVERTENCIA:** No usar el aparato si el cristal está agrietado o roto.

Servicio:

- ◆ **ADVERTENCIA:** Es peligroso para toda persona no competente proceder a operaciones de mantenimiento

o de reparación, que necesiten de la retirada de la tapa que protege contra la exposición a la energía de las microondas.

- ◆ Toda utilización inadecuada, o en desacuerdo con las instrucciones de uso, puede comportar peligro, anulando la garantía y la responsabilidad del fabricante.

DESCRIPCIÓN

- A Puerta del microondas
- B Asa de la puerta
- C Pantalla LED
- D Guía del Auto menú
- E Panel de control
- F Plato del Microondas
- G Ruedas del plato
- H Bandeja para hornear

- 1 Selector de potencia
- 2 Botón del reloj/Configurador de peso.
- 3 Selector grill
- 4 Selector de combinación
- 5 Selector de convección
- 6 Selector de Micro+convección
- 7 Botón de inicio
- 8 Botón de paro/cancelar
- 9 Mando multifunción

En caso de que su modelo de aparato no disponga de los accesorios descritos anteriormente, éstos también pueden adquirirse por separado en los Servicios de Asistencia Técnica.

INSTALACIÓN

- ◆ Asegurarse de retirar todo material de embalaje del interior del aparato.
- ◆ No cubrir ni obstruir ninguna de las aberturas del aparato.
- ◆ La clavija debe ser fácilmente accesible para poder desconectarla en caso de emergencia.
- ◆ Comprobar que el horno no haya sufrido ningún daño, como por ejemplo puerta mal alineada o doblada, sellado de las puertas y la superficie de sellado, bisagras y cierres de la puerta rotos o flojos y abolladuras en la cavidad o en la puerta. En ese caso, no utilice el aparato y póngase en contacto con el servicio de asistencia técnica.
- ◆ No poner nada encima del microondas.

- ◆ Dejar unos 5 cm en cada lado y unos 20 cm por detrás para una correcta ventilación.
- ◆ No use el microondas en espacios exteriores.

Montaje del plato

- ◆ Retire el embalaje interior de las piezas.
- ◆ Sitúe las ruedas del plato (G) en la cavidad interna del microondas, asegurando que queden en la hendidura interna.
- ◆ Coloque el plato encima de las ruedas, encajando el centro con la pieza interna de giro de motor.

Primera conexión a la red eléctrica (Instrucciones generales)

- ◆ Cuando el microondas es conectado por primera vez, un pitido sonara y todos los símbolos se iluminarán. En este momento, pulse el botón de paro/cancelar para entrar en el modo StandBy.
- ◆ En el proceso de cocinar, si no está realizando ninguna función, a los veinte segundos entrará en el modo StandBy.
- ◆ Durante el proceso de cocinar, si presiona el botón de paro/cancelar una vez, el programa será pausado y podrá retomarlo pulsando otra vez el mando multifunción. Si se pulsa el mismo botón dos veces, la función se parará completamente.
- ◆ Una vez terminado cualquier proceso, el microondas mostrará "End" y sonará cada dos minutos para recordarle que la función ha terminado hasta que pulse algún botón o abra la puerta.
- ◆ Este microondas tiene una función para enfriar. Después de dos minutos de uso, cuando termine, el ventilador se quedará encendido unos 3 minutos para asegurar el correcto enfriamiento del microondas.

Programando el reloj

- ◆ Este microondas dispone de visualizador horario de 12h y 24h. Puede seleccionarlos pulsando el botón del reloj.
- ◆ En el modo StandBy presione una o dos veces para seleccionar entre 12h o 24h.
- ◆ Gire el mando multifunción para seleccionar la hora.
- ◆ Presione el botón del reloj.
- ◆ Gire el mando multifunción para seleccionar el minuto
- ◆ Presione el botón del reloj para confirmar.
- ◆ NOTA: Durante el proceso de cocinar, puede consultar la hora presionando el botón del reloj.

MODO DE EMPLEO

Notas previas al uso:

- ◆ Asegúrese de que ha retirado todo el material de embalaje del producto.
- ◆ Prepare el aparato acorde a la función que desee realizar:

Abrir la puerta

- ◆ Tire del asa para abrir la puerta.

Cocción rápida

- ◆ Ponga la comida dentro del microondas y cierre la puerta.
- ◆ Presione el botón de inicio. El microondas empezará a cocinar a la máxima potencia durante 30 segundos.
- ◆ NOTA: Puede aumentar 30 segundos al tiempo por cada pulsación del botón de inicio.

Cocinar con microondas:

- Ponga la comida dentro del microondas y cierre la puerta.
- Desde el modo StandBy, presione el selector de potencia hasta seleccionar la potencia deseada.
- Gire el mando multifunción para seleccionar el tiempo.
- Presione el botón de inicio para empezar a cocinar.

NOTA: Este microondas dispone de 9 niveles de potencia. Presione repetidas veces el selector de potencia para poder seleccionar entre ellas. 100% (900W), 90%(810W), 80% (720W), 70% (630W), 60% (540W), 50% (450W), 40% (360W), 30% (270W), 20% (180W), 10% (90W).

NOTA: El tiempo máximo para cocinar es de 95 minutos.

Cocina con grill

- Ponga la comida dentro del microondas y cierre la puerta.
- Desde el modo StandBy, presione el selector de grill. La pantalla mostrará una G.
- Gire el mando multifunción para seleccionar el tiempo.
- Presione el botón de inicio para iniciar la función.

NOTA: El tiempo máximo para cocinar es de 95 minutos.

Combination

- Ponga la comida dentro del microondas y cierre la puerta.

- Desde el modo StandBy, presione el selector de combinación una o dos veces para seleccionar el modo Co-1 o Co-2.
- Gire el mando multifunción para seleccionar el tiempo.
- Presione el botón de inicio para iniciar la función.

NOTA: Co-1 usa el 30% en potencia de microondas y el 70% de potencia en el grill. El modo Co-2 usa el 55% de potencia de microondas y el 45 % de potencia en el grill.

Convección

Durante la cocción por convección, el aire caliente circula por el interior del microondas para hacer las comidas crujientes de manera rápida y uniforme. Este horno tiene diferentes configuraciones de temperaturas: 200 °C, 190 °C, 180 °C, 170 °C, 160 °C, 150 °C, 150 °C, 140 °C, 130 °C, 120 °C, 110 °C.

Para precalentar el horno:

- Desde el modo StandBy, presione el selector de convección para seleccionar la temperatura deseada.
- Presione el botón de inicio para confirmar. El horno empezará a calentar y le avisará cuando llegue a la temperatura deseada. Una vez alcanzada, sonara cada 5 minutos.

NOTA: Si no acciona el microondas durante media hora en este modo, el microondas se desconectará automáticamente.

Para cocinar una vez precalentado

- Abra la Puerta y posicione la comida en el interior en un recipiente apto. TIP: Puede usar la bandeja para hornear que le proporcionamos.
- Gire el mando multifunción para seleccionar el tiempo.
- Presione el botón de inicio para empezar a cocinar.

NOTA: Durante la cocción, puede consultar la temperatura del horno presionando el botón de convección.

Microondas + Convección

Este microondas puede mezclar las microondas con la convección para ofrecer nuevas funciones en la cocina. Tiene cuatro de las temperaturas con las que puede trabajar: 200 °C, 170 °C, 140 °C, 110 °C.

- Desde el modo StandBy, presione el selector de microondas + convección para seleccionar la temperatura deseada.
- Gire el mando multifunción para seleccionar el tiempo de cocción.
- Presione el botón de inicio para empezar a cocinar.

Descongelar

- Ponga la comida que desea descongelar dentro del microondas y cierre la puerta.
- Desde el modo StandBy, gire el mando multifunción
- Gire el mando multifunción para seleccionar el tiempo de cocción.
- Presione el botón de inicio para empezar a descongelar.

NOTA: Durante el proceso de descongelación, el sistema sonara y se detendrá para que pueda girar la comida. Una vez hecho, presione el mando giratorio para resumir.

Multi-stage cooking

Se permiten la acumulación de 3 pasos de cocción.

Por ejemplo, supongamos que desea usar el microondas al 100% para cocinar una carne durante 15 minutos y usar el grill durante 5 minutos.

- Presione el botón selector de potencia una vez.
- Use el mando para programar 15 minutos.
- Después presione el botón selector de grill.
- Ajuste el tiempo usando el mando giratorio.
- Presione el botón de inicio.

NOTA: No se pueden usar los Auto menús, la descongelación y/o la cocción rápida como funciones en este modo.

Bloqueo infantil

Esta función se usa para prevenir el uso inadvertido por niños.

El bloqueo infantil se activará automáticamente después de un minuto sin ninguna operación. En este estado, todos los botones estarán desactivados.

Para cancelar el modo, abra la puerta del microondas.

AUTOMENU

Para usar esta fácil y útil función sólo deberá saber el peso del producto y la naturaleza, por ejemplo, si es leche, deberá poner líquido.

Para usar la función:

- Gire el mando giratorio hacia la izquierda para seleccionar el menú correcto (A1 a A9, encontrará una tabla seguidamente de correspondencias).
- Presione el configurador de peso para seleccionar el peso o las porciones.
- Presione el botón de inicio para empezar el programa.

Menú	Peso / Cantidad
A1 Patatas	1-3 porciones
A2 Leche/Café/Líquido	1-3 vasos (200ml)
A3 Palomitas	99 g
A4 Recalentar	200 – 800 g
A5 Pasta	100 g (450ml agua)
	200 g (800 ml agua)
	300g (1200 ml agua)
A6 Pizza	150 – 450 g
A7 Pollo	800 – 1400 g
A8 Pasteles	475 g
A9 Descongelar	Mirar la sección del manual.

NOTA: Para el modo 7, el microondas se detendrá a la mitad del proceso para girar la comida. Una vez hecho, cierre la puerta y pulse el botón de inicio para resumir la cocción.

NOTA: El resultado del Auto menú dependerá de muchos factores. Si no encuentra el resultado del todo satisfactorio, ajuste el tiempo de cocción.

Una vez finalizado el uso del aparato:

- ◆ Limpiar el aparato.

LIMPIEZA

- ◆ Desenchufar el aparato de la red y dejarlo enfriar antes de iniciar cualquier operación de limpieza.
- ◆ Limpiar el aparato con un paño húmedo impregnado con unas gotas de detergente y secarlo después.
- ◆ No utilizar disolventes, ni productos con un factor pH ácido o básico como la lejía, ni productos abrasivos, para la limpieza del aparato.

- ◆ No deje entrar agua u otro líquido por las aberturas de ventilación para evitar daños en las partes operativas interiores del aparato.
- ◆ No sumergir el aparato en agua u otro líquido, ni ponerlo bajo el grifo.
- ◆ Retirar la bandeja de cristal y el anillo giratorio para limpiarlos. Lavarlos en agua caliente jabonosa o en el lavavajillas. Volver a colocarlos en posición correcta.
- ◆ Se recomienda limpiar el aparato regularmente y retirar todos los restos de alimentos.

ANOMALÍAS Y REPARACIÓN

- ◆ En caso de avería llevar el aparato a un Servicio de Asistencia Técnica autorizado. No intente desmontarlo o repararlo ya que puede existir peligro.

Para las versiones EU del producto y/o en el caso de que en su país aplique:

Ecología y reciclabilidad del producto

- ◆ Los materiales que constituyen el envase de este aparato, están integrados en un sistema de recogida, clasificación y reciclado de los mismos. Si desea deshacerse de ellos, puede utilizar los contenedores públicos apropiados para cada tipo de material.
- ◆ El producto está exento de concentraciones de sustancias que se puedan considerar dañinas para el medio ambiente.



Este símbolo significa que, si desea deshacerse del producto, una vez transcurrida la vida del mismo, debe depositarlo por los medios adecuados a manos de un gestor de residuos autorizado para la recogida selectiva de Residuos de Aparatos Eléctricos y Electrónicos (RAEE).

(RAEE).

Este aparato cumple con la Directiva 2014/35/EU de Baja Tensión, con la Directiva 2014/30/EU de Compatibilidad Electromagnética, con la Directiva 2011/65/EU sobre restricciones a la utilización de determinadas sustancias peligrosas en aparatos eléctricos y electrónicos y con la Directiva 2009/125/EC sobre los requisitos de diseño ecológico aplicable a los productos relacionados con la energía.

GARANTÍA Y SERVICIO TÉCNICO

Este producto disfruta del reconocimiento y protección de la garantía legal acorde a la legislación vigente. Para

tomar sus derechos o intereses usted deberá acudir a uno de nuestros servicios de asistencia técnica.

Podrá encontrar el más próximo entrando en el siguiente enlace: <http://www.2helpu.com/>

También podrá pedir cualquier información relacionada contactándonos (Ver la última página de este manual).

Podrá descargar este manual y sus actualizaciones en <http://www.2helpu.com/>

**Micro-ondas
BXMZ901E****Caro cliente:**

Obrigado por ter adquirido um produto da marca BLACK+DECKER.

A sua tecnologia, design e funcionalidade, aliados às mais rigorosas normas de qualidade, garantir-lhe-ão uma total satisfação durante muito tempo.

- ◆ Leia atentamente este manual de instruções antes de ligar o aparelho e guarde-o para consultas futuras. A não observância e cumprimento destas instruções pode resultar em acidente.

CONSELHOS E ADVERTÊNCIAS DE SEGURANÇA

- ◆ MEDIDAS DE SEGURANÇA IMPORTANTES LEIA ATENTAMENTE E CONSERVE ESTE MANUAL PARA FUTURAS CONSULTAS.

- ◆ ADVERTÊNCIA: Se a porta ou o seu isolamento estiverem danificados, não ponha o forno a funcionar até que seja reparado por pessoal qualificado.
- ◆ ADVERTÊNCIA: As reparações e qualquer trabalho de manutenção que necessite da abertura da cobertura de proteção contra a energia das micro-ondas devem apenas ser efetuados por pessoal qualificado, uma vez que acarretam perigo.
- ◆ ADVERTÊNCIA: Não aqueça líquidos nem outros alimentos em recipientes fechados, já que podem explodir.
- ◆ Este aparelho foi concebido exclusivamente para uso doméstico, não

para uso profissional ou industrial. Não foi projetado para ser utilizado por hóspedes de estabelecimentos de alojamento do tipo “bed and breakfast”, hotéis, motéis e outros tipos de ambientes residenciais, incluindo casas rurais ou áreas de descanso para o pessoal de lojas, escritórios e outros ambientes de trabalho.

- ◆ O aparelho necessita de ventilação adequada para funcionar corretamente. Deixe 20 cm de espaço livre por cima do forno e 5 cm de ambos lados.
- ◆ Utilize exclusivamente utensílios aptos a ir ao micro-ondas.
- ◆ É proibido utilizar recipientes metálicos. Vigie o forno quando aquecer alimentos em recipientes de plástico ou de papel, uma vez que existe a possibilidade destes arderem.
- ◆ Este forno micro-ondas foi projetado para aquecer alimentos e bebidas. Nunca seque alimentos ou roupa, nem aqueça almofadas, sapatos, esponjas, panos húmidos ou similares, já que tal pode provocar lesões, queimaduras ou incêndios.
- ◆ Se aparecer fumo, pare ou desligue o aparelho e mantenha a porta fechada para extinguir possíveis chamas.
- ◆ Os líquidos poderão sofrer ebulição retardada ao serem aquecidos no

micro-ondas, por isso, tenha cuidado ao manusear o recipiente.

- ◆ Para evitar queimaduras, retire ou agite os biberões e os boiões e verifique a sua temperatura antes de serem consumidos.
- ◆ Nunca aqueça ovos com casca nem ovos cozidos no micro-ondas, já que podem explodir, mesmo após o aquecimento do micro-ondas ter terminado.
- ◆ Antes da primeira utilização, limpe todas as partes do aparelho que possam estar em contacto com os alimentos, procedendo como se indica no capítulo de limpeza.
- ◆ Limpe o forno frequentemente e mantenha-o livre de restos de alimentos. A falta de limpeza pode levar a uma deterioração da superfície, afetar negativamente a vida útil do aparelho e provocar situações de perigo.
- ◆ Nunca utilize máquinas de limpeza a vapor.
- ◆ O micro-ondas não foi concebido para ser encastrado.
- ◆ Nunca coloque o aparelho num armário.
- ◆ Este aparelho pode ser utilizado por pessoas não familiarizadas com a sua utilização, pessoas incapacitadas ou crianças a partir dos 8 anos, desde que o façam sob supervisão ou tenham recebido formação sobre a utilização segura do aparelho e compreendam os perigos que este comporta.
- ◆ Este aparelho não é um brinquedo. As crianças devem ser vigiadas para garantir que não brincam com o aparelho.
- ◆ Não deixe que as crianças efectuem a limpeza e manutenção sem supervisão.
- ◆ A temperatura da porta e de outras superfícies acessíveis pode ser bastante elevada quando o aparelho está em funcionamento. Não utilize nenhum programador, temporizador ou outro dispositivo que ligue o aparelho automaticamente.
- ◆ Nunca retire a cobertura de mica que cobre a guia das ondas.
- ◆ Se a ligação à corrente estiver danificada, deve ser substituída. Leve o aparelho a um Serviço de Assistência Técnica autorizado. Não tente desmontar ou reparar o aparelho, já que pode ser perigoso.
- ◆ Este aparelho foi concebido exclusivamente para uso doméstico, não para uso profissional ou industrial.
- ◆ Antes de ligar o aparelho à corrente, verifique se a tensão indicada na placa de características corresponde à tensão da rede.
- ◆ Ligue o aparelho a uma tomada elétrica com ligação à terra e com capacidade mínima de 10 amperes.

- ◆ A ficha do aparelho deve coincidir com a tomada de corrente elétrica. Nunca modifique a ficha. Não use adaptadores de ficha.
- ◆ Não force o cabo elétrico. Nunca utilize o cabo de alimentação para levantar, transportar ou desligar o aparelho da corrente.
- ◆ Evite que o cabo elétrico entre em contacto com as superfícies quentes do aparelho.
- ◆ Verifique o estado do cabo de elétrico. Os cabos danificados ou entrelaçados aumentam o risco de choque elétrico.
- ◆ Não toque na ficha de ligação com as mãos molhadas.
- ◆ Não utilize o aparelho se tiver o cabo elétrico ou a ficha danificados.
- ◆ Se algum dos revestimentos do aparelho se partir, desligue imediatamente o aparelho da corrente para evitar a possibilidade de sofrer um choque elétrico.
- ◆ Não utilize o aparelho se este caiu e se existirem sinais visíveis de danos ou de fuga.
- ◆ Não coloque o aparelho em cima de superfícies quentes tais como placas elétricas, queimadores a gás, fornos, etc.
- ◆ O aparelho deve ser utilizado e colocado sobre uma superfície plana e estável.

UTILIZAÇÃO E CUIDADOS:

- ◆ Antes de cada utilização, desenrole completamente o cabo de alimentação do aparelho.
- ◆ Não utilize o aparelho se estiver vazio.
- ◆ Não utilize o aparelho se o dispositivo de ligar/desligar não funcionar.
- ◆ Desligue o aparelho da corrente quando não estiver a ser utilizado e antes de iniciar qualquer operação de limpeza.
- ◆ Guarde o aparelho fora do alcance das crianças e de pessoas com capacidades físicas, sensoriais ou mentais reduzidas, ou com falta de experiência e conhecimento.
- ◆ Assegure-se de que as grelhas de ventilação do aparelho não ficam obstruídas por pó, sujidade ou outros objectos.
- ◆ Utilize este aparelho e respetivos acessórios e ferramentas de acordo com estas instruções, tendo em conta as condições de trabalho e o trabalho a realizar. A utilização do aparelho para operações diferentes das previstas pode originar situações de perigo.
- ◆ ADVERTÊNCIA: Não utilize o aparelho se o vidro apresentar fissuras ou danos.

Assistência Técnica:

- ◆ ADVERTÊNCIA: É perigoso para pessoas não competentes proceder a operações de manutenção ou reparação que necessitem da remoção da tampa que protege a energia das micro-ondas contra a exposição.
- ◆ Qualquer utilização inadequada ou em desacordo com as instruções de utilização pode ser perigosa e anula a garantia e a responsabilidade do fabricante.

DESCRIÇÃO

- | | |
|---|----------------------|
| A | Porta do micro-ondas |
| B | Maçaneta da porta |
| C | Visor LED |
| D | Guia do Menu Auto |
| E | Painel de controlo |
| F | Prato do micro-ondas |
| G | Rodas do prato |
| H | Tabuleiro de forno |
-
- 1 Selector de potência
 - 2 Botão do relógio/configuração do peso.
 - 3 Seletor grill
 - 4 Seletor de combinado
 - 5 Seletor de convecção
 - 6 Seletor de micro+convecção
 - 7 Botão de arranque
 - 8 Botão de parar/cancelar
 - 9 Comando multifunções

Caso o seu modelo de aparelho não disponha dos acessórios descritos anteriormente, pode adquiri-los separadamente nos Serviços de Assistência Técnica.

INSTALAÇÃO

- ◆ Retire todo o material de embalagem do interior do aparelho.
- ◆ Nunca cubra nem obstrua nenhuma das aberturas do aparelho.
- ◆ A ficha deve ser ligada a uma tomada de fácil acesso para se poder desligá-la em caso de emergência.
- ◆ Verifique que o forno não sofreu nenhum dano, como por exemplo, porta mal alinhada ou dobrada, na selagem da porta ou na superfície da selagem, dobradiças e fechos partidos ou soltos e danos ou desgaste no compartimento interior ou na porta. Se tal acontecer, não utilize o aparelho e contacte o serviço de assistência técnica.
- ◆ Nunca ponha nada em cima do micro-ondas.

- ◆ Deixe cerca de 5 cm de cada lado e 20 cm para trás para uma correta ventilação.
- ◆ Não utilize o micro-ondas em espaços ao ar livre.

Montagem do prato

- ◆ Retire a embalagem interior das peças.
- ◆ Coloque as rodas do prato (G) no compartimento interno do micro-ondas, certificando-se de que ficam colocadas no encaixe interno.
- ◆ Coloque o prato em cima das rodas, encaixando o centro com a peça interna de rotação do motor.

Ligar pela primeira vez à corrente elétrica (Instruções gerais)

- ◆ Quando o micro-ondas é ligado pela primeira vez à corrente elétrica, emite um aviso sonoro e todos os símbolos ficam iluminados. Quando isso acontecer, prima o botão de parar/cancelar para entrar no modo de espera.
- ◆ No processo de cozinhar, se não for ativada nenhuma função no espaço de vinte segundos, o aparelho entra em modo de espera.
- ◆ Durante o processo de cozinhar, se premir o botão de parar/cancelar uma só vez o programa é pausado e pode retomá-lo premindo novamente o comando multifunções. Se premir o mesmo botão duas vezes, a função é cancelada.
- ◆ Uma vez terminado qualquer processo, o micro-ondas mostra "End" no visor e emite um aviso sonoro a cada dois minutos para lhe lembrar de que a função terminou, até que prima algum botão ou abra a porta.
- ◆ Este micro-ondas vem equipado com uma função de arrefecimento. Após dois minutos de utilização, quando terminar, o ventilador fica a funcionar durante cerca de 3 minutos para assegurar o correto arrefecimento do micro-ondas.

Programar o relógio

- ◆ Este micro-ondas dispõe um mostrador horário de 12 h e 24 h. Pode seleccioná-los premindo o botão do relógio.
- ◆ No modo de espera, prima o botão uma ou duas vezes para seleccionar 12 h ou 24 h.
- ◆ Rode o comando multifunções para seleccionar as horas.
- ◆ Prima o botão do relógio.
- ◆ Rode o comando multifunções para seleccionar os minutos.
- ◆ Prima o botão do relógio para confirmar.
- ◆ NOTA: Durante o processo de cozinhar, pode consultar as horas premindo o botão do relógio.

MODO DE UTILIZAÇÃO

Notas para antes da utilização:

- ◆ Certifique-se de que retirou todo o material de embalagem do produto.
- ◆ Prepare o aparelho consoante a função pretendida.

Abrir a porta

- ◆ Puxe a maçaneta para abrir a porta.

Aquecimento rápido

- ◆ Coloque a comida dentro do micro-ondas e feche a porta.
- ◆ Prima o botão de arranque. O micro-ondas começa a funcionar à potência máxima durante 30 segundos.
- ◆ NOTA: Pode aumentar o tempo em mais 30 segundos de cada vez que premir o botão de arranque.

Cozinhar no micro-ondas:

- Coloque a comida dentro do micro-ondas e feche a porta.
- No modo de espera, prima o seletor de potência até seleccionar a potência desejada.
- Rode o comando multifunções para seleccionar o tempo.
- Prima o botão de arranque para começar a cozinhar.

NOTA: Este micro-ondas vem equipado com 9 níveis de potência. Prima várias vezes o seletor de potência para poder escolher entre os valores. 100 % (900 W), 90 % (810 W), 80 % (720 W), 70 % (630 W), 60 % (540 W), 50 % (450 W), 40 % (360 W), 30 % (270 W), 20 % (180 W), 10 % (90 W).

NOTA: O tempo de funcionamento máximo é de 95 minutos.

Cozinhar com grill

- Coloque a comida dentro do micro-ondas e feche a porta.
- No modo de espera, prima o seletor de grill. Irá aparecer a letra G no visor.
- Rode o comando multifunções para seleccionar o tempo.
- Prima o botão de arranque para iniciar a função.

NOTA: O tempo de funcionamento máximo é de 95 minutos.

Função de combinado

- Coloque a comida dentro do micro-ondas e feche a porta.
- No modo de espera, prima o seletor de combinado uma ou duas vezes para selecionar o modo Co-1 ou Co-2.
- Rode o comando multifunções para selecionar o tempo.
- Prima o botão de arranque para iniciar a função.

NOTA: Co-1 utiliza 30 % de potência de micro-ondas e 70 % de potência de grill. O modo Co-2 utiliza 55 % de potência de micro-ondas e 45 % de potência de grill.

Convecção

Durante o aquecimento por convecção, o ar quente circula no interior do micro-ondas para obter alimentos crocantes de maneira rápida e uniforme. Este forno vem equipado com diferentes configurações de temperatura: 200 °C, 190 °C, 180 °C, 170 °C, 160 °C, 150 °C, 150 °C, 140 °C, 130 °C, 120 °C, 110 °C.

Para preaquecer o forno:

- No modo de espera, prima o seletor de convecção até selecionar a potência desejada.
- Prima o botão de arranque para confirmar. O forno começa a aquecer e emite um sinal sonoro quando atingir a temperatura desejada. Uma vez atingido esse valor, emitirá um aviso sonoro a cada 5 minutos.

NOTA: Se não exercer nenhuma ação sobre o micro-ondas ao fim de meia hora neste modo, o micro-ondas desliga-se automaticamente.

Para cozinhar assim que estiver preaquecido

- Abra a porta e coloque a comida no interior do forno dentro de um recipiente apto. DICA: Pode utilizar o tabuleiro de forno fornecido com o aparelho.
- Rode o comando multifunções para selecionar o tempo.
- Prima o botão de arranque para começar a cozinhar.

NOTA: Durante o funcionamento, pode verificar a temperatura do forno premindo o botão de convecção.

Micro-ondas + Convecção

Este micro-ondas pode combinar a energia das micro-ondas com a convecção para oferecer novas funções para cozinhar. Vem equipado com quatro temperaturas com as quais pode trabalhar: 200 °C, 170 °C, 140 °C, 110 °C.

- No modo de espera, prima o seletor de micro-ondas + convecção até selecionar a temperatura desejada.
- Rode o seletor para selecionar o tempo de funcionamento.
- Prima o botão de arranque para começar a cozinhar.

Descongelar

- Coloque a comida que deseja descongelar dentro do micro-ondas e feche a porta.
- No modo de espera, rode o comando multifunções.
- Rode o seletor para selecionar o tempo de funcionamento.
- Prima o botão de arranque para começar a descongelar.

NOTA: Durante o processo de descongelação, o sistema emite um aviso sonoro e para o processo, para que possa voltar a comida. Quando terminar, prima o seletor giratório para retomar a função.

Cozinhar por etapas

São permitidos, por acumulação, até 3 modos de funcionamento.

Por exemplo, suponhamos que deseja utilizar o micro-ondas a 100 % para cozinhar carne durante 15 minutos e, em seguida, utilizar o grill durante 5 minutos.

- Prima o botão seletor de potência uma só vez.
- Utilize o comando seletor para programar 15 minutos.
- Em seguida, prima o botão seletor do grill.
- Ajuste o tempo através do comando giratório.
- Prima o botão de arranque.

NOTA: Com este modo, não é possível utilizar as funções de Menu Auto, descongelação e/ou aquecimento rápido.

Bloqueio de proteção infantil:

Esta função é utilizada para prevenir a utilização inadvertida pelas crianças.

A função de bloqueio de proteção infantil é ativada automaticamente ao fim de 1 minuto sem se exercer nenhuma operação. Neste estado, todos os botões estão desativados.

Para cancelar este modo, abra a porta do micro-ondas.

MENU AUTO

Para utilizar esta fácil e útil função apenas deve saber qual o peso do alimento e a sua natureza, por exemplo, se for leite deverá selecionar líquido.

Para usar esta função:

- Rode o comando giratório para a esquerda para selecionar o menu correto (A1 a A9, consulte a tabela de referências que se segue).
- Prima o seletor de configuração do peso para selecionar o peso ou as porções.
- Prima o botão de arranque para iniciar o programa.

Menu	Peso / Quantidade
A1 Batatas	1 -3 porções
A2 Leite/Café/Líquido	1-3 copos (200 ml)
A3 Pipocas	99 g
A4 Aquecer	200 – 800 g
A5 Massas	100 g (450 ml de água)
	200 g (800 ml de água)
	300 g (1200 ml de água)
A6 Pizza	150 – 450 g
A7 Frango	800 – 1400 g
A8 Tartes	475 g
A9 Descongelar	Consulte a secção correspondente do manual.

NOTA: Para o modo 7, o micro-ondas para a meio do processo para que possa voltar a comida. Uma vez terminado, feche a porta e prima o botão de arranque para retomar a função.

NOTA: O resultado da função Menu Auto irá depender de vários fatores. Se o resultado não for satisfatório, ajuste o tempo de aquecimento.

Uma vez concluída a utilização do aparelho:

- ◆ Limpe o aparelho.

LIMPEZA

- ◆ Desligue o aparelho da corrente elétrica e deixe-o arrefecer antes de iniciar qualquer operação de limpeza.
- ◆ Limpe o aparelho com um pano húmido com algumas gotas de detergente e seque-o de seguida.
- ◆ Não utilize solventes, produtos com um fator pH ácido

ou básico como lixívia, nem produtos abrasivos para a limpeza do aparelho.

- ◆ Não deixe entrar água ou outro líquido pelas aberturas de ventilação para evitar danos nas peças interiores do aparelho.
- ◆ Nunca mergulhe o aparelho dentro de água ou em qualquer outro líquido, nem o coloque debaixo da torneira.
- ◆ Retire a bandeja de vidro e o anel giratório para os limpar. Lave-os em água quente com detergente ou na máquina de lavar loiça. Volte a colocá-os na posição correta.
- ◆ Recomenda-se limpar o aparelho regularmente e retirar todos os restos de alimentos.

ANOMALIAS E REPARAÇÃO

- ◆ Em caso de avaria leve o aparelho a um Serviço de Assistência Técnica autorizado. Não tente desmontar ou reparar o aparelho, já que tal acarreta perigos.

Para as versões EU do produto e/ou caso aplicável no seu país:

Ecologia e reciclagem e do produto

- ◆ Os materiais que constituem a embalagem deste aparelho estão integrados num sistema de recolha, classificação e reciclagem. Se desejar eliminá-los, utilize os contentores de reciclagem colocados à disposição para cada tipo de material.
- ◆ O produto está isento de concentrações de substâncias que possam ser consideradas nocivas para o ambiente.



Este símbolo significa que se desejar desfazer-se do produto depois de terminada a sua vida útil, deve entregá-lo através dos meios adequados ao cuidado de um gestor de resíduos autorizado para a recolha seletiva de Resíduos de Equipamentos Elétricos e Eletrónicos (REEE).

Este aparelho cumpre a Diretiva 2014/35/EU de Baixa Tensão, a Diretiva 2014/30/EU de Compatibilidade Eletromagnética, a Diretiva 2011/65/EU sobre restrições à utilização de determinadas substâncias perigosas em aparelhos elétricos e eletrónicos e a Diretiva 2009/125/EC sobre os requisitos de design ecológico aplicável aos produtos relacionados com a energia.

GARANTIA E ASSISTÊNCIA TÉCNICA

Este produto goza do reconhecimento e proteção da garantia legal em conformidade com a legislação em vigor.

Para fazer valer os seus direitos ou interesses, deverá recorrer sempre aos nossos serviços de assistência técnica.

Pode encontrar o mais próximo de si acedendo ao seguinte endereço: <http://www.2helpu.com/>

Pode também pedir qualquer informação entrando em contacto connosco (consulte a última página deste manual).

Pode fazer o download deste manual de instruções e respetivas atualizações em <http://www.2helpu.com/>.



Magnetron BXMZ901E

Geachte klant:

We danken u voor de aankoop van een product van het merk BLACK+DECKER.

De technologie, het ontwerp en de functionaliteit van dit product, dat voldoet aan de meest strikte kwaliteitseisen, staan garant voor langdurige tevredenheid.

- ◆ Neem deze gebruiksaanwijzing aandachtig door voordat u het apparaat in gebruik neemt en bewaar haar voor toekomstig gebruik. Het niet opvolgen en naleven van deze instructies kan een ongeluk tot gevolg hebben.

VEILIGHEIDSADVIEZEN EN WAARSCHUWINGEN

- ◆ BELANGRIJKE VEILIGHEIDSMATREGELEN—NEEM AANDACHTIG DOOR EN BEWAAR OM LATER TE KUNNEN RAADPLEGEN.
- ◆ WAARSCHUWING: Wanneer de deur of de naden beschadigd zijn, moet u het apparaat niet aanzetten voordat het door gekwalificeerd personeel gerepareerd is.
- ◆ WAARSCHUWING: Reparaties of onderhoud waarbij bescherming tegen microgolfstraling nodig is mag alleen verricht worden door gekwalificeerd personeel, aangezien dit gevaarlijk kan zijn.
- ◆ WAARSCHUWING: Verwarm geen vloeistoffen of andere producten in gesloten containers, aangezien deze kunnen exploderen.
- ◆ Dit apparaat is alleen bedoeld voor huishoudelijk gebruik, niet voor pro-

fessioneel of industrieel gebruik. Het is niet bedoeld voor gebruik in het hotelwezen, zoals bed and breakfast instellingen, hotels, motels, of residenties, noch in vakantiehuizen, keukenvoorzieningen voor winkelpersoneel, kantoren, of in andere professionele voorzieningen.

- ◆ Het apparaat vereist afdoende ventilatie om goed te kunnen werken. Laat 20 cm vrij boven de oven en 5 cm aan beide zijanten.
- ◆ Gebruik alleen keukengerei dat geschikt is voor de magnetron.
- ◆ Het gebruik van metalen kommen is verboden. Wanneer u producten opwarmt in plastic of papieren bakjes, moet u de oven bewaken aangezien deze bakjes kunnen ontvlammen.
- ◆ Deze magnetron is ontworpen om vast en vloeibaar voedsel op te warmen. Het drogen van voedsel of kleding en het opwarmen van kussens, sportschoenen, sponzen, vochtige doeken of dergelijke kan leiden tot letsel, brandwonden of brand.
- ◆ Wanneer er rook verschijnt, zet het apparaat uit of trek de stekker uit het stopcontact en houd de deur gesloten om de eventuele vlammen te doven.
- ◆ Vloeistoffen kunnen met vertraging gaan koken wanneer ze in de magnetron opgewarmd worden; wees

daarom voorzichtig bij het manipuleren van de kom.

- ◆ Zuigflessen en potjes babyvoeding moeten voor gebruik geroerd of geschud en hun temperatuur gecontroleerd worden, om brandwonden te voorkomen.
- ◆ Gebruik de magnetron niet om eieren in hun schaal of harde eieren op te warmen, aangezien deze kunnen exploderen, zelfs nadat het opwarmen in de magnetron beëindigd is.
- ◆ Maak voor het eerste gebruik alle delen van het apparaat die met voedingsmiddelen in aanraking kunnen komen schoon, zoals aangegeven in het onderdeel Reiniging.
- ◆ Reinig de oven regelmatig en verwijder eventuele voedselresten. Gebrekkige reinheid kan ertoe leiden dat het oppervlak beschadigd wordt of de levensduur van het apparaat verkort wordt en kan tot gevaarlijke situaties leiden.
- ◆ Gebruik geen stoomreinigers.
- ◆ De magnetron is ontworpen om ingebouwd te worden.
- ◆ Plaats het apparaat niet in een kast.
- ◆ Dit toestel mag, onder toezicht, door onervaren personen, personen met een beperking of kinderen vanaf 8 jaar gebruikt worden mits zij de nodige informatie hebben gekregen om het toestel op een veilige manier te kunnen gebruiken en de gevaren kennen.
- ◆ Dit apparaat is geen speelgoed. Laat kinderen niet zonder toezicht in de buurt van het apparaat om er zeker van te zijn dat ze er niet mee spelen.
- ◆ Laat kinderen geen reiniging of onderhoud verrichten zonder toezicht.
- ◆ De temperatuur van de oppervlakken kan brandwonden veroorzaken als het apparaat in werking is. Sluit het apparaat nooit aan op een programmeur, timer of een ander mechanisme dat het apparaat automatisch inschakelt.
- ◆ Verwijder de mica plaat die de golfgeleider afdekt niet.
- ◆ Wanneer het netsnoer beschadigd is moet het vervangen worden. Breng het apparaat naar een erkende Technische hulpdienst. Probeer het apparaat niet zelf te demonteren of te repareren, want dit kan gevaarlijk zijn.
- ◆ Dit apparaat is alleen bedoeld voor huishoudelijk gebruik, niet voor professioneel of industrieel gebruik.
- ◆ Controleer dat de spanningsgegevens op het typeplaatje overeenkomen met die van het lichtnet alvorens het apparaat erop aan te sluiten.
- ◆ Sluit het toestel aan op een stopcontact met randaarde en een capaciteit van tenminste 10 Ampère.
- ◆ De stekker van het apparaat moet geschikt zijn voor het stopcontact. Wijzig de stekker niet. Gebruik geen adapters.

- ◆ Forceer de elektriciteitskabel niet. Gebruik het snoer nooit om het apparaat op te tillen, te transporteren of om de stekker uit het stopcontact te trekken.
- ◆ Zorg ervoor dat de elektriciteitskabel niet van de tafel afhangt of in contact komt met de hete oppervlakken van het apparaat.
- ◆ Controleer de staat van de elektriciteitskabel. Beschadigde kabels of kabels die in de war zijn vergroten het risico van elektrische schokken.
- ◆ Raak de stekker niet met natte handen aan.
- ◆ Gebruik het apparaat niet wanneer de elektriciteitskabel of de stekker beschadigd is.
- ◆ Als een deel van de behuizing beschadigd wordt, moet u de stekker van het apparaat onmiddellijk uit het stopcontact trekken om een elektrische schok te voorkomen.
- ◆ Gebruik het apparaat niet als het is gevallen, wanneer er zichtbare tekenen van schade zijn of wanneer het lekt.
- ◆ Plaats het apparaat niet op hete oppervlakken zoals kookplaten, gasbranders, ovens of dergelijke.
- ◆ Plaats het apparaat voor gebruik op een vlak en stabiel oppervlak.

GEBRUIK EN ONDERHOUD:

- ◆ Rol voor gebruik de voedingskabel van het apparaat volledig af.
- ◆ Zet het apparaat niet aan als het leeg is.
- ◆ Gebruik het apparaat niet als de aan/uit knop niet werkt.
- ◆ Trek de stekker uit het stopcontact wanneer het apparaat niet in gebruik is en voordat u het reinigt.
- ◆ Houd dit apparaat buiten bereik van kinderen en/of personen met lichamelijke, zintuiglijke of geestelijke beperkingen, of met een gebrek aan ervaring en kennis.
- ◆ Controleer dat de ventilatieroosters van het apparaat niet verstopt raken met stof, vuil of voorwerpen.
- ◆ Volg deze aanwijzingen altijd nauwgezet op bij gebruik van het apparaat en zijn accessoires en hulpmiddelen. Houd altijd rekening met de omstandigheden en de uit te voeren werkzaamheden. Het gebruik van het apparaat voor andere dan de voorziene doeleinden kan gevaarlijk zijn.
- ◆ **WAARSCHUWING:** Gebruik het apparaat niet als het glas gebarsten of kapot is.

Reparaties:

- ◆ **WAARSCHUWING:** Onderhoud of reparaties waarbij het deksel dat beschermt tegen de microgolfsstraling verwijderd moet worden mogen wegens het daaraan verbonden gevaar niet door niet getraind personeel uitgevoerd worden.

- ◆ Onjuist gebruik of een gebruik dat niet overeenstemt met de gebruiksaanwijzing kan gevaar inhouden en doet de garantie en de aansprakelijkheid van de fabrikant teniet.

BESCHRIJVING

- A Deur van de magnetron
- B Handgreep van de ovendeur
- C LED-scherm
- D Auto-menu gids
- E Bedieningspaneel
- F Draaiplateau van de magnetron
- G Wielletjes van het draaiplateau
- H Rek voor de oven

- 1 Vermogensschakelaar
- 2 Knop timer/gewichtsinstelling.
- 3 Keuzeknop grill
- 4 Combinatieknop
- 5 Convectieknop
- 6 Knop Magnetron+convectie
- 7 Startknop
- 8 Knop stoppen/annuleren
- 9 Multifunctie knop

Mocht het model van uw apparaat niet beschikken over de hierboven beschreven accessoires dan zijn deze ook apart verkrijgbaar bij de Technische Service.

INSTALLATIE

- ◆ Controleer dat al het verpakkingsmateriaal uit het inwendige van het apparaat verwijderd is.
- ◆ Bedek of blokkeer geen enkele opening van het apparaat.
- ◆ De stekker moet gemakkelijk bereikbaar zijn om in geval van nood de stekker snel uit het stopcontact te kunnen trekken.
- ◆ Controleer dat de oven niet beschadigd is, dat de deur recht zit en niet verbogen is en goed sluit, dat het oppervlak van de naden goed is, de hengsels en sluitingen van de deur niet kapot zijn of los zitten en dat er geen deuken zitten in het inwendige van de oven of in de deur. Neem in dit geval het apparaat niet in gebruik en neem contact op met de technische service.
- ◆ Plaats geen voorwerpen op de magnetron.
- ◆ Houd 5 cm vrij aan beide zijanten en 20 cm aan de achterkant voor een goede ventilatie.
- ◆ Gebruik de magnetron nooit buitenshuis.

Montage van het draaiplateau

- ◆ Verwijder al het verpakkingsmateriaal van de onderdelen.
- ◆ Plaats de wieltjes van het draaiplateau (G) in het inwendige van de magnetron, zodat ze in de inwendige uitsparing vallen.
- ◆ Plaats het draaiplateau op de wieltjes, zodat de centrale spil past op de aandrijving van de motor.

Eerste aansluiting op het lichtnet (algemene aanwijzingen)

- ◆ Wanneer de magnetron voor het eerst op het lichtnet wordt aangesloten, klinkt er een toon en lichten alle symbolen op. Druk vervolgens op de knop stoppen/annuleren om de oven in de Stand-By stand te zetten.
- ◆ Wanneer het apparaat niet wordt gebruikt, gaat het na twintig seconden in de Stand-By stand.
- ◆ Wanneer u tijdens het koken eenmaal op de knop stoppen/annuleren drukt, wordt het programma gepauzeerd; u kunt het hervatten door nogmaals op de multifunctie knop te drukken. Wanneer u tweemaal op deze knop drukt, wordt de functie geheel geannuleerd.
- ◆ Na beëindiging van een programma toont het scherm van de magnetron "End" en klinkt er elke twee minuten een toon om u eraan te herinneren dat het programma beëindigd is, totdat u op een knop drukt of de deur opent.
- ◆ Deze magnetron heeft een functie om af te koelen. Na minstens twee minuten gebruik blijft de ventilator ongeveer 3 minuten werken om de magnetron af te koelen.

De klok instellen

- ◆ De magnetron kan de tijd aangeven op een schaal van 12 of 24 uur. U kunt de gewenste notatie kiezen met de timerknop.
- ◆ Druk in de Stand-By stand een- of tweemaal op de knop om respectievelijk 12 of 24 uur te selecteren.
- ◆ Stel het uur in door de multifunctie knop te verdraaien.
- ◆ Druk op de timerknop.
- ◆ Stel de minuten in door de multifunctie knop te verdraaien
- ◆ Druk op de timerknop om de instelling te bevestigen.
- ◆ **OPMERKING:** Tijdens het koken kunt u de tijd raadplegen door op de timerknop te drukken.

GEBRUIKSAANWIJZING

Opmerkingen voorafgaand aan het gebruik:

- ◆ Controleer dat al het verpakkingsmateriaal van het product verwijderd is.
- ◆ Bereid het apparaat voor op de gewenste functie:

Open de deur

- ◆ Trek aan de handgreep om de deur te openen.

Snel koken

- ◆ Plaats het product in de magnetron en sluit de deur.
- ◆ Druk op de startknop. De magnetron werkt gedurende 30 seconden op maximaal vermogen.
- ◆ **OPMERKING:** Elke volgende druk op de startknop verlengt de tijd met 30 seconden.

Koken met een magnetron:

- Plaats het product in de magnetron en sluit de deur.
- Druk in de Stand-By stand herhaald op de vermogensselectie totdat het gewenste vermogen wordt aangegeven.
- Stel de tijd in door de multifunctie knop te verdraaien.
- Druk op de startknop om het programma te starten.

OPMERKING: Deze magnetron beschikt over 9 vermogensniveaus: Druk herhaald op de vermogensknop om het gewenste vermogen te selecteren. 100 % (900 W), 90 % (810 W), 80 % (720 W), 70 % (630 W), 60 % (540 W), 50 % (450 W), 40 % (360 W), 30 % (270 W), 20 % (180 W), 10 % (90 W).

OPMERKING: De maximale kooktijd is 95 minuten.

Koken met grill

- Plaats het product in de magnetron en sluit de deur.
- Druk in de Stand-By stand op de grill knop. Het scherm toont G.
- Stel de tijd in door de multifunctie knop te verdraaien.
- Druk op de startknop om het programma te starten.

OPMERKING: De maximale kooktijd is 95 minuten.

Combinatie

- Plaats het product in de magnetron en sluit de deur.
- Druk in de Stand-By stand een- of tweemaal op de combinatieknop om de stand Co-1 of Co-2 te selecteren.

- Stel de tijd in door de multifunctie knop te verdraaien.
- Druk op de startknop om het programma te starten.

OPMERKING: In de Co-1 stand werkt de magnetron op 30% en de grill op 70 % van het vermogen. In de Co-2 stand werkt de magnetron op 55% en de grill op 45 % van het vermogen.

Convectie

Bij koken met convectie circuleert de warme lucht door het inwendige van de magnetron waardoor men snel en uniform knapperig eten kan bereiden. Deze oven beschikt over diverse temperatuurinstellingen: 200 °C, 190 °C, 180 °C, 170 °C, 160 °C, 150 °C, 150 °C, 140 °C, 130 °C, 120 °C, 110 °C.

De oven voorverwarmen:

- Druk in de Stand-By stand op de convectieknop om de gewenste temperatuur in te stellen.
- Bevestig de instelling door op de startknop te drukken. De oven warmt op en zal u waarschuwen wanneer de gewenste temperatuur bereikt is. Wanneer de ingestelde waarde bereikt is, klinkt er elke 5 minuten een toon.

OPMERKING: Wanneer u in deze stand de magnetron gedurende een half uur niet bedient, zal hij automatisch uitgaan.

Koken na voorverwarmen

- Open de deur en plaats het product in de oven in een geschikte kom. TIP: U kunt de bijgeleverde ovenschaal gebruiken.
- Stel de tijd in door de multifunctie knop te verdraaien.
- Druk op de startknop om het programma te starten.

OPMERKING: Tijdens het koken kunt u de temperatuur van de oven controleren door op de convectieknop te drukken.

Magnetron + Convectie

Dit apparaat biedt nieuwe mogelijkheden door de magnetronfunctie te combineren met convectie. Men beschikt over vier temperatuurinstellingen: 200 °C, 170 °C, 140 °C, 110 °C.

- Druk in de Stand-By stand op de knop magnetron + convectie om de gewenste temperatuur in te stellen.
- Verdraai de multifunctie knop om de kooktijd in te stellen.
- Druk op de startknop om het programma te starten.

Ontdooien

- Plaats het te ontdooien product in de magnetron en sluit de deur.
- Verdraai in de Stand-By stand de multifunctie knop
- Verdraai de multifunctie knop om de kooktijd in te stellen.
- Druk op de startknop om te starten met ontdooien.

OPMERKING: In de loop van het ontdooien klinkt er een toon, waarna de magnetron stopt zodat u het product kunt omkeren. Druk vervolgens op de draaiknop om de procedure te hervatten.

Multifase koken

Er kunnen maximaal 3 kookfasen ingesteld worden.

Men kan bijvoorbeeld gedurende 15 minuten in de magnetron koken op 100 % vermogen en vervolgens gedurende 5 minuten grillen.

- Druk eenmaal op de vermogensknop.
- Gebruik de draaiknop om 15 minuten in te stellen.
- Druk vervolgens op de grill knop.
- Stel de tijd in met de draaiknop.
- Druk op de startknop.

OPMERKING: De functies Auto-menu, ontdooien en snel koken zijn niet beschikbaar in deze procedure.

Kinderslot

Deze functie dient om ongewenste gebruik door kinderen te vermijden.

Het kinderslot wordt automatisch geactiveerd als de oven een minuut lang niet gebruikt wordt. In deze stand zijn de knoppen niet geactiveerd.

Annuleer deze functie door de deur van de magnetron te openen.

AUTOMENU

Met deze handige en nuttige functie hoeft u alleen het gewicht van het product en zijn aard te kennen, stel bij melk bijvoorbeeld vloeistof in.

Gebruik van deze functie:

- Draai de draaiknop naar links om het gewenste menu te selecteren (A1 t/m A9, hieronder treft u een tabel aan met de betekenis hiervan).
- Druk op de knop voor gewichtsinstelling om het gewicht of de porties in te voeren.
- Druk op de startknop om het programma te starten.

Menu	Gewicht / Hoeveelheid
A1 Aardappelen	1-3 porties
A2 Melk/Koffie/Vloeistof	1-3 glazen (200 ml)
A3 Popcorn	99 g
A4 Opwarmen	200 – 800 g
A5 Pasta	100 g (450 ml water)
	200 g (800 ml water)
	300 g (1200 ml water)
A6 Pizza	150 – 450 g
A7 Kip	800 – 1400 g
A8 Gebakjes	475 g
A9 Ontdooien	Raadpleeg het betreffende hoofdstuk van de handleiding.

OPMERKING: Bij menu 7 zal de magnetron halverwege stoppen zodat u het product om kunt keren. Sluit vervolgens de deur en druk op de startknop om de procedure te hervatten.

OPMERKING: Het resultaat van het Auto-menu hangt van vele factoren af. Wanneer u niet tevreden bent over het resultaat, kunt u de kooktijd bijstellen.

Na gebruik van het apparaat:

- ◆ Reinig het apparaat.

REINIGING

- ◆ Trek de stekker uit het stopcontact en laat het apparaat afkoelen alvorens het te reinigen.
- ◆ Maak het apparaat schoon met een vochtige doek met een paar druppels afwasmiddel en droog het daarna goed af.

- ◆ Gebruik geen oplosmiddelen of producten met een zure of basische pH zoals bleekwater, noch schuurmiddelen, om het apparaat schoon te maken.
- ◆ Zorg ervoor dat er geen water of andere vloeistof binnendringt via de ventilatie-openingen, om schade aan de functionele delen in het inwendige van het apparaat te voorkomen.
- ◆ Dompel het apparaat niet onder in water of een andere vloeistof en houd het niet onder de kraan.
- ◆ Verwijder het glazen plateau en de draairing om ze te reinigen. Was ze in een warm sopje of in de vaatwasmachine. Plaats ze vervolgens terug in de juiste positie.
- ◆ Het is raadzaam om het apparaat geregeld schoon te maken en alle voedselresten te verwijderen.

STORINGEN EN REPARATIE

- ◆ Breng het apparaat bij storing naar een erkende Technische Dienst. Probeer het apparaat niet zelf te demonteren of te repareren, want dit kan gevaarlijk zijn.

Voor EU-versies van het product en/of indien van toepassing in uw land:

Ecologie en hergebruik van het product

- ◆ Het verpakkingsmateriaal van dit apparaat is geschikt voor inzameling, classificatie en hergebruik. U kunt dit materiaal wegwerpen in de openbare afvalcontainers die voor de desbetreffende typen materiaal zijn bestemd.
- ◆ Het product bevat geen stoffen in concentraties die als schadelijk voor het milieu beschouwd kunnen worden.



Dit symbool betekent dat u het product aan het eind van zijn levenscyclus moet afgeven aan een erkende afvalverwerker voor de gescheiden verwerking van Afgedankte Elektrische en Elektronische Apparatuur (AEEA).

Dit apparaat voldoet aan de Laagspanningsrichtlijn 2014/35/EU, de Richtlijn 2014/30/EU met betrekking tot elektromagnetische compatibiliteit, de Richtlijn 2011/65/EU met betrekking tot beperkingen in de toepassing van bepaalde gevaarlijke stoffen in elektrische en elektronische apparaten en de Richtlijn 2009/125/EC met betrekking tot de eisen inzake het ecologisch ontwerp van energie-gereleerde producten.

GARANTIE EN TECHNISCHE SERVICE

Dit product valt onder de legale garantievoorwaarden zoals bepaald in de actuele wetgeving. Om uw rechten uit te oefenen of een aanspraak te maken kunt u contact opnemen met onze technische service.

U kunt de dichtstbijzijnde technische service vinden op de website: <http://www.2helpu.com/>

Voor verdere informatie kunt u ook direct contact met ons opnemen (zie de laatste bladzijde van deze handleiding).

U kunt deze gebruiksaanwijzing en eventuele actualiseringen ervan downloaden via <http://www.2helpu.com/>

Kuchenka mikrofalowa BXMZ901E

Szanowny Kliencie,

Serdecznie dziękujemy za zdecydowanie się na zakup sprzętu gospodarstwa domowego marki BLACK+DECKER.

Jego technologia, forma i funkcjonalność, jak również fakt, że spełnia on wszelkie normy jakości, dostarczy Państwu pełnej satysfakcji przez długi czas.

- ◆ Przeczytać uważnie instrukcję przed uruchomieniem urządzenia i zachować ją w celu późniejszych konsultacji. Niedostosowanie się i nieprzestrzeganie niniejszych instrukcji może doprowadzić do wypadku.

PORADY I OSTRZEŻENIA DOTYCZĄCE BEZPIECZEŃSTWA

- ◆ **WAŻNE ŚRODKI BEZPIECZEŃSTWA PRZECZYTAĆ UWAŻNIE I ZACHOWAĆ DLA PÓŹNIEJSZYCH KONSULTACJI.**
- ◆ **OSTRZEŻENIE:** Jeśli drzwi lub jego uszczelka są uszkodzone, nie używać urządzenia, dopóki nie zostanie naprawione przez wykwalifikowany personel.
- ◆ **OSTRZEŻENIE:** Tylko wykwalifikowany personel może przeprowadzać naprawy lub prace konserwacyjne, które wymagają zdjęcia osłony ochronnej energii mikrofalowej, ponieważ może to być niebezpieczne..
- ◆ **OSTRZEŻENIE:** Nie podgrzewać płynów ani innych produktów spożywczych w zamkniętych pojemnikach, ponieważ mogą eksplodować
- ◆ Urządzenie to zaprojektowane zostało wyłącznie do użytku domowe-

go, a nie do użytku profesjonalnego czy przemysłowego. Urządzenie jest przeznaczone tylko do użytku domowego. Nie należy używać w celach industrialnych czy profesjonalnych. Nie jest zaprojektowane do użytku w hotelach, motelach, hostelach, biurach, pensjonatach i tym podobnym.

- ◆ W celu poprawnego działania urządzenia niezbędna jest właściwa wentylacja. Pozostawić 20 cm wolnej przestrzeni nad urządzeniem i 5 cm po jego obu stronach.
- ◆ Używać tylko naczyń przeznaczonych dla kuchenki mikrofalowej.
- ◆ Używanie metalowych pojemników jest zabronione. Podczas podgrzewania żywności w plastikowych lub papierowych pojemnikach należy obserwować kuchenkę, ponieważ mogą się one zapalić.
- ◆ Kuchenka mikrofalowa jest przeznaczona do podgrzewania żywności i płynów. Suszenie żywności lub odzieży oraz podgrzewanie wkładek, kapci, gąbek, wilgotnych ściereczek itp. może spowodować obrażenia, poparzenia lub pożar.
- ◆ Jeśli pojawi się dym, zatrzymać lub wyłączyć urządzenie oraz mieć zamknięte drzwi, aby ugasić powstałe płomienie.
- ◆ Ciecze mogą ulec opóźnionemu gotowaniu po podgrzaniu w kuchen-

ce mikrofalowej; Dlatego należy zachować ostrożność podczas przenoszenia pojemnika.

- ◆ Aby uniknąć poparzeń, należy zamieszać lub wstrząsnąć butelkami, pojemnikami i słoikami oraz sprawdzić ich temperaturę przed spożyciem.
- ◆ Nie podgrzewać w kuchenke mikrofalowej jajek w skorupce ani jajek na twardo, ponieważ mogłyby eksplodować, nawet po zakończeniu podgrzewania kuchenki mikrofalowej.
- ◆ Przed pierwszym użyciem należy umyć wszystkie części urządzenia, które mogą mieć kontakt z pokarmami, postępując zgodnie z instrukcją.
- ◆ Często czyścić kuchenkę i starać się, aby nie pozostawały w niej resztki jedzenia. Brak czystości może prowadzić do pogorszenia się stanu powierzchni, niekorzystnie wpływając na żywotność urządzenia i powodować niebezpieczne sytuacje.
- ◆ Nie używać urządzeń czyszczących parą.
- ◆ Kuchenka mikrofalowa nie jest przeznaczona do zabudowy
- ◆ Nie umieszczać urządzenia w szafce.
- ◆ Urządzenie może być używane przez osoby niezapoznane z tego typu produktem, osoby niepełnosprawne lub dzieci od 8 roku życia, tylko i wyłącznie pod kontrolą dorosłych zapoznanym z tego typu sprzętem.
- ◆ To urządzenie nie jest zabawką. Dzieci powinny pozostać pod czujną opieką w celu zagwarantowania iż nie bawią się urządzeniem.
- ◆ Nie pozwalać dzieciom wykonać czyszczenia i konserwacji bez nadzoru.
- ◆ Temperatura dostępnych powierzchni może ulec podniesieniu, kiedy urządzenie jest podłączone do sieci. Nie należy używać z urządzeniami automatycznymi jak czasomierze lub podobne.
- ◆ Nie zdejmować płytki mikowej, która osłania falowód.
- ◆ Jeśli połączenie zasilające jest uszkodzone należy je wymienić. Zanieść urządzenie do autoryzowanego centrum serwisowego. Nie próbować rozbierać urządzenia ani go naprawiać, ponieważ może to być niebezpieczne.
- ◆ Urządzenie to zaprojektowane zostało wyłącznie do użytku domowego, a nie do użytku profesjonalnego czy przemysłowego.
- ◆ Przed podłączeniem urządzenia do sieci, sprawdzić czy napięcie wskazane na tabliczce znamionowej odpowiada napięciu sieci.

- ◆ Podłączyć urządzenie do gniazdka z uziemieniem o natężeniu, co najmniej 10 amperów.
- ◆ Wtyczka urządzenia powinna być zgodna z podstawą elektryczną gniazdka. Nigdy nie modyfikować wtyczki. Nie używać przejściówek dla wtyczki.
- ◆ Nie napiąć kabla połączeniowego. Nie używać nigdy kabla elektrycznego do podnoszenia, przenoszenia ani wyłączania urządzenia.
- ◆ Kabel połączeniowy nie może być w kontakcie z gorącymi powierzchniami urządzenia.
- ◆ Sprawdzać stan elektrycznego kabla połączeń. Uszkodzone czy zaplątane kable zwiększają ryzyko porażenia prądem.
- ◆ Nie dotykać wtyczki mokrymi rękoma.
- ◆ Nie używać urządzenia, gdy kabel elektryczny lub wtyczka jest uszkodzona.
- ◆ Jeśli popęka jakiś element obudowy urządzenia, natychmiast wyłączyć urządzenie z prądu, aby uniknąć porażenia prądem.
- ◆ Nie używać urządzenia, jeśli ono upadło czy kiedy występują widoczne oznaki uszkodzenia, albo jeśli istnieją wycieki.
- ◆ Nie kłaść urządzenia na gorących powierzchniach takich jak płyty grzejne, palniki gazowe piekarniki i podobne urządzenia.
- ◆ Urządzenie powinno być ustawiane i używane na powierzchni płaskiej i stabilnej.

UŻYWANIE I KONSERWACJA:

- ◆ Przed każdym użyciem, rozwinąć całkowicie przewód zasilania urządzenia.
- ◆ Nie używać urządzenia, kiedy jest ono puste, to znaczy kiedy nic w nim nie ma.
- ◆ Nie używać urządzenia, jeśli nie działa przycisk włączenia ON/OFF.
- ◆ Wyłączać urządzenie z prądu, jeśli nie jest ono używane i przed przystąpieniem do jakiegokolwiek czyszczenia.
- ◆ Przechowywać urządzenie w miejscu niedostępnym dla dzieci i/lub osób o ograniczonych zdolnościach fizycznych, dotykowych lub mentalnych oraz nie posiadających doświadczenia lub znajomości tego typu urządzeń.
- ◆ Sprawdzać, czy kratki wentylacyjne urządzenia nie są zapychane kurzem, zanieczyszczeniami czy innymi przedmiotami.
- ◆ Urządzenie i jego akcesoria należy używać zgodnie z powyższą instrukcją obsługi, używanie go do innych celów niż opisane może powodować niebezpieczeństwo. Nie należy używać go do innych celów niż przeznaczone, gdyż może to spowodować zagrożenie dla zdrowia.

- ◆ **OSTRZEŻENIE** Nie należy używać urządzenia, jeśli szkło drzwi jest pęknięte lub zniszczone.

Serwis techniczny:

- ◆ **OSTRZEŻENIE** Wszelkie czynności konserwacyjne lub naprawcze, które wymagają zdemontowania osłony chroniącej przed działaniem energii mikrofalowej, są niebezpieczne dla każdej niewykwalifikowanej osoby.
- ◆ Wszelkie niewłaściwe użycie lub niezgodne z instrukcją obsługi może doprowadzić do niebezpieczeństwa, anulując przy tym gwarancję i odpowiedzialność producenta.

OPIS

- | | |
|---|--------------------------------|
| A | Drzwi mikrofalówki |
| B | Uchwyty drzwi |
| C | Ekran LED |
| D | Przewodnik automatycznego menu |
| E | Panel sterowania |
| F | Talerz mikrofalówki |
| G | Pierścień obrotowy talerza |
| H | Taca do pieczenia |
-
- | | |
|---|------------------------------------|
| 1 | Wybór mocy |
| 2 | Przycisk zegar/konfigurowanie wagi |
| 3 | Wybór grilla |
| 4 | Wybór kombinacji |
| 5 | Wybór konwekcji |
| 6 | Wybór Mikrofali + konwekcji |
| 7 | Przycisk Start |
| 8 | Przycisk Stop/anulowanie |
| 9 | Sterowanie wielofunkcyjne |

W przypadku, jeśli model Państwa urządzenia nie posiada opisanych powyżej akcesoriów, te można również nabyć osobno w Serwisie Technicznym.

INSTALACJA

- ◆ Upewnić się, że zostały usunięte wszystkie elementy opakowania z wnętrza urządzenia.
- ◆ Nie zakrywać ani nie blokować żadnego z otworów urządzenia.
- ◆ Wtyczka powinna być łatwo dostępna aby można ją było wyłączyć w sytuacji niebezpieczeństwa.
- ◆ Sprawdzać, czy kuchenka nie doznała żadnych uszkodzeń, takich jak źle ustawione lub wygięte drzwi, uszczelnienie drzwi i powierzchni uszczelniającej, złama-

ne lub luźne zawiasy oraz zamknięcia drzwi i wgniecenia we wnęce lub w drzwiach. W przypadku w/w uszkodzeń nie używać urządzenia i skontaktować się z Autoryzowanym Punktem Serwisowym.

- ◆ Nie umieszczać żadnych rzeczy na mikrofalówce.
- ◆ Pozostawić 5 cm z każdej strony i 20 cm z tyłu urządzenia, dla utrzymania prawidłowej wentylacji.
- ◆ Nie używać kuchenki mikrofalowej na zewnątrz.

Montaż talerza

- ◆ Usunąć opakowanie w którym znajdują się części.
- ◆ Umieścić kółka talerza (G) w zagłębieniu wewnątrz kuchenki, upewniając się, że są dobrze dopasowane w wewnętrznym rowku.
- ◆ Nałożyć talerz na kółka, dopasowując jego środek z elementem obrotowym silnika.

Pierwsze podłączenie do sieci elektrycznej (Instrukcje ogólne)

- ◆ Gdy kuchenka mikrofalowa zostanie podłączona po raz pierwszy, rozlegnie się sygnał dźwiękowy i wyświetlą się wszystkie symbole. Wtedy nacisnąć przycisk Stop/Anulowanie, aby wejść w tryb Standby.
- ◆ Jeśli w trakcie gotowania nie wykonamy żadnej funkcji, po dwudziestu sekundach przejdzie ona w tryb Standby.
- ◆ Jeśli podczas gotowania naciśniemy przycisk Stop/Anulowanie jeden raz, program zostanie zatrzymany i możemy go wznowić, naciskając ponownie sterowanie wielofunkcyjne. Jeśli ten sam przycisk zostanie naciśnięty dwukrotnie, funkcja zatrzyma się całkowicie.
- ◆ Po zakończeniu dowolnego procesu kuchenka mikrofalowa pokaże „End” i będzie emitować dźwięk co dwie minuty, aby przypomnieć, że funkcja została zakończona, będzie to robić do momentu naciśnięcia przycisku lub otwarcia drzwi.
- ◆ Ta kuchenka mikrofalowa ma funkcję chłodzenia. Po dwóch minutach użytkowania, po zakończeniu, wentylator pozostanie włączony przez około 3 minuty, aby zapewnić właściwe chłodzenie mikrofalówki.

Ustawianie zegara

- ◆ Ta kuchenka mikrofalowa posiada wyświetlacz wskazujący godzinę w formacie 12 i 24 godz. Można je ustawić przyciskiem zegara.
- ◆ W trybie Standby nacisnąć jeden lub dwa razy, aby wybrać pomiędzy 12 lub 24 godz.
- ◆ Przekręcić pokrętko sterowania, aby wybrać godzinę.
- ◆ Nacisnąć przycisk zegara.
- ◆ Przekręcić pokrętko sterowania, aby wybrać minutę.

- ◆ Nacisnąć przycisk zegara, aby zatwierdzić.
- ◆ UWAGA: Podczas gotowania możemy sprawdzić godzinę, naciskając przycisk zegara.

SPOSÓB UŻYCIA

Uwagi przed użyciem:

- ◆ Upewnić się, że z opakowania zostały wyjęte wszystkie elementy urządzenia.
- ◆ Przygotowanie urządzenia do pracy w zależności od czynności, którą będzie wykonywać:

Otworzyć drzwi

- ◆ Pociągnąć za uchwyt, aby otworzyć drzwi.

Szybkie gotowanie

- ◆ Włożyć potrawę do środka kuchenki i zamknąć drzwi.
- ◆ Nacisnąć przycisk Start. Kuchenka mikrofalowa rozpocznie gotowanie z pełną mocą przez 30 sekund.
- ◆ UWAGA: Możemy zwiększyć czas o 30 sekund, przez każde naciśnięcie przycisku Start.

Gotowanie w kuchenke mikrofalowej:

- Włożyć potrawę do środka kuchenki i zamknąć drzwi.
- W trybie Standby nacisnąć kilkakrotnie wybór mocy, aby wybrać żadaną moc.
- Przekręcić pokrętko sterowania, aby wybrać czas.
- Nacisnąć przycisk Start, aby rozpocząć gotowanie.

UWAGA: Kuchenka mikrofalowa posiada 9 poziomów mocy: Nacisnąć kilkakrotnie przycisk zasilania, aby wybrać między nimi. 100 % (900 W), 90 % (810 W), 80 % (720 W), 70 % (630 W), 60 % (540 W), 50 % (450 W), 40 % (360 W), 30 % (270 W), 20 % (180 W), 10 % (90 W).

UWAGA: Maksymalny czas gotowania wynosi 95 minut.

Funkcja grilla

- Włożyć potrawę do środka kuchenki i zamknąć drzwi.
- W trybie Standby, nacisnąć wyboru grilla. Na wyświetlaczu pojawi się G
- Przekręcić pokrętko sterowania, aby wybrać czas.
- Nacisnąć przycisk Start, aby rozpocząć funkcję.

UWAGA: Maksymalny czas gotowania wynosi 95 minut.

Kombinacja

- Włożyć potrawę do środka kuchenki i zamknąć drzwi.
- W trybie Standby, nacisnąć selektor wysokości (1 jeden lub dwa razy, aby wybrać tryb Co-1 lub Co-2).
- Przekręcić pokrętkę sterowania, aby wybrać czas.
- Nacisnąć przycisk Start, aby rozpocząć funkcję.

UWAGA: Co-1 używa 30 % mocy mikrofal i 70 % mocy grilla. Tryb Co-2 używa 55 % mocy mikrofal i 45 % mocy grilla.

Konwekcja

Podczas gotowania konwekcyjnego gorące powietrze krąży wewnątrz kuchenki mikrofalowej, aby przygotować szybko i równomiernie chrupiące posiłki. Ta kuchenka mikrofalowa posiada różne konfiguracje temperatur. 200 °C, 190 °C, 180 °C, 170 °C, 160 °C, 150 °C, 150 °C, 140 °C, 130 °C, 120 °C, 110 °C.

Nagrzewanie piekarnika:

- W trybie Standby przyciskiem sterującym wybrać konwekcję, aby wybrać żadaną temperaturę.
- Nacisnąć przycisk Start, aby zatwierdzić Piekarnik rozpocznie nagrzewanie i powiadomi, gdy osiągnięta żadaną temperaturę. Po jej osiągnięciu, będzie wydawał sygnał dźwiękowy co 5 minut.

UWAGA: Jeśli kuchenka mikrofalowa nie będzie używana przez pół godziny w tym trybie, kuchenka mikrofalowa wyłączy się automatycznie

Gotowanie po podgrzaniu

- Otwórz drzwiczki i włożyć potrawę do odpowiedniego pojemnika. TIP: Można użyć tacy do pieczenia, która jest na wyposażeniu.
- Przekręcić pokrętkę sterowania, aby wybrać czas.
- Nacisnąć przycisk Start, aby rozpocząć gotowanie.

UWAGA: Podczas gotowania można sprawdzić temperaturę piekarnika, naciskając przycisk konwekcji

Mikrofała+Konwekcja

Ta kuchenka mikrofalowa może mieszać mikrofałę z konwekcją, aby oferować nowe funkcje w gotowaniu. Posiada cztery temperatury z którymi możemy procować: 200 °C, 170 °C, 140 °C, 110 °C.

- W trybie Standby przyciskiem sterującym wybrać Mikrofała+Konwekcja konwekcję, aby wybrać żadaną temperaturę.
- Przekręcić pokrętkę sterowania, aby wybrać czas gotowania.
- Nacisnąć przycisk Start, aby rozpocząć gotowanie.

Rozmrażanie

- Włożyć potrawę/produkt, który chcemy rozmrozić do środka kuchenki i zamknąć drzwi.
- W trybie Standby, przekręcić sterowanie wielofunkcyjne.
- Przekręcić pokrętkę sterowania, aby wybrać czas gotowania.
- Nacisnąć przycisk Start, aby rozpocząć rozmrażanie.

UWAGA: W czasie procesu rozmrażania, system wyda dźwięk i zatrzyma się, aby można było obrócić potrawę/produkt. Po zakończeniu, nacisnąć przycisk pokrętkę sterowania, aby sfinalizować.

Gotowanie wieloetapowe

Dozwolone jest skumulowanie 3 etapów gotowania.

Np. założmy, że chcemy użyć mikrofałę w 100 %, aby ugotować mięso w 15 minut i użyć grilla w czasie 5 minut.

- Nacisnąć jeden raz przycisk wyboru mocy.
- Użyć sterowania, aby zaprogramować 15 minut.
- Następnie nacisnąć przycisk wyboru funkcji, aby wybrać grill.
- Ustawić czas za pomocą pokrętki sterowania.
- Nacisnąć przycisk Start.

UWAGA: Menu automatyczne, rozmrażanie i/lub szybkie gotowanie nie mogą być używane jako funkcje w tym trybie

Blokada przed dziećmi

Ta funkcja służy do zapobiegania przypadkowemu użyciu przez dzieci.

Blokada przed dziećmi uruchomi się automatycznie po minucie, gdy nie będzie wykonana żadna operacja. W tym stanie wszystkie przyciski zostaną dezaktywowane.

Aby anulować ten tryb, należy otworzyć drzwi kuchenki mikrofalowej.

AUTOMATYCZNE MENU

Aby skorzystać z tej łatwej i przydatnej funkcji, wystarczy znać tylko wagę i rodzaj produktu, np. jeśli jest to mleko, należy ustawić płyn.

Aby użyć w funkcji:

- Obróć pokrętkę w lewo, aby wybrać właściwe menu (A1 do A9, poniżej znajduje się tabela z odpowiednikami).
- Nacisnąć konfigurowanie wagi, aby wybrać wagę lub porcję.
- Nacisnąć przycisk Start, aby rozpocząć program.

Menu	Waga / Ilość
A1 Ziemniaki	1-3 porcje
A2 Mleko/Kawa/Plyn	1-3 szklanki (200 ml)
A3 Popcorn	99 g
A4 Podgrzewanie	200 – 800 g
A5 Makaron	100 g (450 ml wody)
	200 g (800 ml wody)
	300 g (1200 ml wody)
A6 Pizza	150 – 450 g
A7 Kurczak	800 – 1400 g
A8 Ciasta	475 g
A9 Rozmrażanie	Spojrzyć na instrukcję obsługi.

UWAGA: W trybie 7 kuchenka mikrofalowa zatrzyma się w połowie, aby obrócić potrawę/produkt. Po zakończeniu, nacisnąć przycisk Start, aby sfinalizować tę funkcję.

UWAGA: Efekt końcowy Menu automatycznego będzie zależał od wielu czynników. Jeśli efekt końcowy nie będzie satysfakcjonujący, należy dopasować czas gotowania.

Po zakończeniu korzystania z urządzenia:

- ◆ Wyczyścić urządzenie.

CZYSZCZENIE

- ◆ Odłączyć urządzenie z sieci i pozostawić aż do ochłodzenia przed przystąpieniem do jakiegokolwiek czyszczenia.
- ◆ Czyścić urządzenie wilgotną szmatką zmoczoną kilkoma kroplami płynu i następnie osuszyć.
- ◆ Nie używać do czyszczenia urządzenia rozpuszczalników, ani produktów z czynnikiem PH takich jak chlor, ani innych środków żrących.

- ◆ Nie dopuścić do przedostania się wody ani innej cieczy do otworów wentylacyjnych, aby uniknąć uszkodzeń części mechanicznych znajdujących się we wnętrzu urządzenia.
- ◆ Nie zanurzać urządzenia w wodzie ni innej cieczy, nie wkładać pod kran.
- ◆ Usunąć szklany talerz i pierścień obrotowy, aby je wyczyścić. Umyć je w ciepłej wodzie z detergentem lub w zmywarce. Umieść je z powrotem we właściwej pozycji.
- ◆ Zaleca się regularne czyszczenie urządzenia i usuwanie z niego pozostałości produktów żywnościowych.

NIEPRAWIDŁOWOŚCI I NAPRAWA

- ◆ W razie awarii zanieść urządzenie do autoryzowanego Serwisu Technicznego. Nie próbować rozbierać urządzenia ani go naprawiać, ponieważ może to być niebezpieczne.

Dla urządzeń wyprodukowanych w Unii Europejskiej i w przypadku wymagań prawnych obowiązujących w danym kraju:

Ekologia i zarządzanie odpadami

- ◆ Materiały, z których wykonane jest opakowanie tego urządzenia, znajdują się w ramach systemu zbierania, klasyfikacji oraz ich odzysku. Jeżeli chcecie Państwo się ich pozbyć, należy umieścić je w kontenerze przeznaczonym do tego typu materiałów.
- ◆ Produkt nie zawiera koncentracji substancji, które mogłyby być uznane za szkodliwe dla środowiska.



Symbol ten oznacza, że jeśli chcecie się Państwo pozbyć tego produktu po zakończeniu okresu jego użytkowania, należy go przekazać przy zastosowaniu określonych środków do autoryzowanego podmiotu zarządzającego odpadami w celu przeprowadzenia selektywnej zbiórki Odpadów Urządzeń Elektrycznych i Elektronicznych (WEEE).

Urządzenie spełniające wymogi Ustawy 2014/35/EU o Niskim Napięciu, Ustawy 2014/30/EU o Zgodności Elektromagnetycznej, Ustawy 2011/65/EU o gospodarce odpadami elektrycznymi i elektronicznymi i ustawy 2009/125/EC o urządzeniach konsumujących energię.

Gwarancja i Serwis techniczny

Ten produkt jest uznawany i chroniony prawną gwarancją zgodnie z obowiązującymi przepisami. W celu wyegzekwowania swoich praw lub interesów, należy udać się do dowolnego z naszych punktów serwisu technicznego.

Można znaleźć najbliższy, wpisując następujący link: <http://www.2helpu.com/>

Można również poprosić o wszelkie informacje z tym związane, kontaktując się z nami (patrz ostatnia strona tego podręcznika).

Można też pobrać niniejszą instrukcję obsługi i jej aktualizacje na <http://www.2helpu.com/>

Φούρνος μικροκυμάτων BXMZ901E

Αξιότιμε πελάτη:

Σας ευχαριστούμε που αποφασίσατε να αγοράσετε ένα προϊόν μάρκας BLACK+DECKER.

Η τεχνολογία, ο σχεδιασμός και η λειτουργία του, σε συνδυασμό με το γεγονός ότι το προϊόν πληροί τις αυστηρότερες προδιαγραφές ποιότητας θα σας εξασφαλίσουν πλήρη ικανοποίηση για πολύ καιρό.

♦ Διαβάστε προσεκτικά το παρόν φυλλάδιο οδηγιών πριν θέσετε σε λειτουργία τη συσκευή, και φυλάξτε το για να το συμβουλευέστε στο μέλλον. Η μη τήρηση των παρακάτω οδηγιών μπορεί να οδηγήσει σε ατύχημα.

ΟΔΗΓΙΕΣ ΚΑΙ ΠΡΟΕΙΔΟΠΟΙΗΣΕΙΣ ΑΣΦΑΛΕΙΑΣ

- ♦ ΣΗΜΑΝΤΙΚΑ ΜΕΤΡΑ ΑΣΦΑΛΕΙΑΣ ΔΙΑΒΑΣΤΕ ΤΑ ΠΡΟΣΕΚΤΙΚΑ ΚΑΙ ΦΥΛΑΞΤΕ ΤΑ ΓΙΑ ΝΑ ΤΑ ΣΥΜΒΟΥΛΕΥΣΤΕ ΣΤΟ ΜΕΛΛΟΝ.
- ♦ ΠΡΟΕΙΔΟΠΟΙΗΣΗ: Αν η πόρτα ή η σφράγιση της έχουν κάποια βλάβη, μη θέσετε σε λειτουργία τη συσκευή μέχρι να επισκευαστεί από εξειδικευμένο προσωπικό.
- ♦ ΠΡΟΕΙΔΟΠΟΙΗΣΗ: Μόνο εξειδικευμένο προσωπικό μπορεί να πραγματοποιήσει επισκευές ή εργασίες συντήρησης που απαιτούν αφαίρεση ορισμένων καλυμμάτων ασφάλειας, τα οποία προστατεύουν από την ενέργεια των μικροκυμάτων, επειδή αυτό μπορεί να αποβεί επικίνδυνο.
- ♦ ΠΡΟΕΙΔΟΠΟΙΗΣΗ: Μη ζεσταίνετε υγρά ή άλλα τρόφιμα σε σφραγισμένα δοχεία, επειδή μπορεί να εκραγούν.
- ♦ Αυτή η συσκευή έχει σχεδιαστεί μόνο για οικιακή χρήση, όχι για επαγγελματική ή βιομηχανική χρήση. Δεν έχει σχεδιαστεί για να χρησιμοποιείται από πελάτες σε ξενοδοχειακά περιβάλλοντα που σχετίζονται με διανυκτέρευση και πρωινό, ξενοδοχεία, μοτέλ και άλλα περιβάλλοντα στέγασης, ούτε σε αγροτικές κατοικίες, χώρους εστίασης μόνο για το προσωπικό σε καταστήματα, γραφεία και άλλα εργασιακά περιβάλλοντα.
- ♦ Η συσκευή απαιτεί κατάλληλο εξερισμό ώστε να λειτουργεί σωστά. Αφήστε 20 cm ελεύθερου χώρου πάνω από τον φούρνο και 5 cm και από τις δύο πλευρές.
- ♦ Χρησιμοποιείτε μόνο σκεύη κατάλληλα για φούρνο μικροκυμάτων.
- ♦ Απαγορεύεται η χρήση μεταλλικών δοχείων. Όταν ζεσταίνετε τρόφιμα σε πλαστικά ή χάρτινα δοχεία, να επιτηρείτε τον φούρνο, γιατί αυτά τα δοχεία μπορεί να αρπάξουν φωτιά.
- ♦ Αυτός ο φούρνος μικροκυμάτων έχει σχεδιαστεί για να ζεσταίνει τρόφιμα και ποτά. Το να στεγνώνεται τρόφιμα ή ρούχα και να ζεσταίνετε μαξιλαράκια, παντόφλες, σφουγγάρια, υγρά πανιά ή παρεμφερή, μπορεί να προκαλέσει τραύματα, εγκαύματα ή φωτιά.

- ◆ Αν δείτε καπνούς, σταματήστε ή αποσυνδέστε τη συσκευή, και διατηρήστε κλειστή την πόρτα για να σβήσουν πιθανές φλόγες.
- ◆ Τα υγρά μπορούν φτάσουν σε βρασμό με καθυστέρηση, όταν ζεσταίνονται στον φούρνο μικροκυμάτων· για αυτό πρέπει να προσέχετε όταν πιάνετε το δοχείο.
- ◆ Για να αποφύγετε εγκαύματα, ανακινήστε ή ανακατεύστε τα μπιμπερό και τις παιδικές τροφές, και δοκιμάστε τη θερμοκρασία τους, πριν καταναλωθούν.
- ◆ Μη ζεσταίνετε αυγά με σόφλι στον φούρνο μικροκυμάτων, ούτε τα σφιχτά αυγά, επειδή μπορεί να εκραγούν, ακόμη και αφού έχει ολοκληρωθεί το ζέσταμα στον φούρνο μικροκυμάτων.
- ◆ Πριν την πρώτη χρήση, καθαρίστε όλα τα μέρη του προϊόντος που μπορεί να έρθουν σε επαφή με τρόφιμα, κάνοντας αυτά που αναφέρονται στην παράγραφο για την καθαριότητα.
- ◆ Καθαρίζετε συχνά τον φούρνο και αφαιρείτε τα υπολείμματα τροφίμων. Η έλλειψη καθαριότητας θα μπορούσε να οδηγήσει σε φθορά της επιφάνειας, να επηρεάσει αρνητικά τη διάρκεια ζωής της συσκευής, και να προκαλέσει επικίνδυνες καταστάσεις.
- ◆ Μη χρησιμοποιείτε ατμοκαθαριστές.
- ◆ Ο φούρνος μικροκυμάτων δεν έχει σχεδιαστεί για να εντοιχίζεται.
- ◆ Μην τοποθετήσετε τη συσκευή μέσα σε ντουλάπι.
- ◆ Αυτή τη συσκευή μπορούν να τη χρησιμοποιήσουν παιδιά ηλικίας 8 ετών και άνω και άτομα με μειωμένες σωματικές, αισθητηριακές ή διανοητικές ικανότητες ή με έλλειψη εμπειρίας ή γνώσεων, εφόσον τους παρέχεται η κατάλληλη εποπτεία ή εκπαιδευτούν στην ασφαλή χρήση της συσκευής και κατανοούν τους κινδύνους που εγκυμονεί.
- ◆ Η παρούσα συσκευή δεν είναι παιχνίδι. Τα παιδιά πρέπει να επιτηρούνται ώστε να διασφαλίζεται ότι δεν παίζουν με τη συσκευή.
- ◆ Μην επιτρέπετε σε παιδιά να φροντίζουν για την καθαριότητά ή τη συντήρησή του χωρίς επίβλεψη.
- ◆ Η θερμοκρασία της πόρτας και των λοιπών προσβάσιμων επιφανειών μπορεί να είναι υψηλή όταν η συσκευή λειτουργεί. Μη χρησιμοποιείτε κανέναν προγραμματιστή, χρονοδιακόπτη ή άλλη διάταξη που συνδέει τη συσκευή αυτομάτως.
- ◆ Μην αφαιρείτε τον δίσκο από μαρμαρυγία που καλύπτει τον οδηγό των κυμάτων.

- ◆ Αν η σύνδεση παροχής ηλεκτρισμού έχει πρόβλημα, πρέπει να αντικατασταθεί. Μεταφέρετε τη συσκευή σε εγκεκριμένη υπηρεσία τεχνικής βοήθειας. Μην προσπαθήσετε να την αποσυναρμολογήσετε ή να την επισκευάσετε μόνοι σας γιατί μπορεί να εκτεθείτε σε κίνδυνο.
- ◆ Αυτή η συσκευή έχει σχεδιαστεί μόνο για οικιακή χρήση, όχι για επαγγελματική ή βιομηχανική χρήση.
 - ◆ Πριν συνδέσετε τη συσκευή στο ρεύμα, ελέγξτε ότι η τάση που αναφέρεται στην πινακίδα σήμανσης συμπίπτει με την τάση του ρεύματος.
 - ◆ Συνδέστε τη συσκευή σε βάση λήψης ρεύματος που διαθέτει γείωση και που αντέχει τουλάχιστον 10 αμπέρ.
 - ◆ Το βύσμα της πρίζας της συσκευής πρέπει να συμπίπτει με την πρίζα λήψης ρεύματος. Μην αλλάζετε ποτέ το βύσμα της πρίζας. Μην χρησιμοποιείται μετασχηματιστές στο βύσμα της πρίζας.
 - ◆ Μην ασκείτε πίεση στο ηλεκτρικό καλώδιο. Μη χρησιμοποιείτε ποτέ το ηλεκτρικό καλώδιο για να σηκώνετε, να μεταφέρετε ή να βγάλετε από την πρίζα τη συσκευή.
 - ◆ Μην αφήνετε να κρέμεται το καλώδιο σύνδεσης από το τραπέζι ή να έρχεται σε επαφή με τις θερμές επιφάνειες της συσκευής.
 - ◆ Ελέγξτε την κατάσταση του καλωδίου τροφοδοσίας. Αν το καλώδιο παρουσιάζει φθορά ή έχει μπλεχτεί αυξάνεται ο κίνδυνος ηλεκτροπληξίας.
 - ◆ Μην αγγίζετε το βύσμα σύνδεσης με υγρά χέρια.
 - ◆ Μη χρησιμοποιείτε τη συσκευή όταν το ηλεκτρικό καλώδιο ή το βύσμα έχουν υποστεί ζημιά.
 - ◆ Εάν κάποιο από τα περιβλήματά της συσκευής σπάσει, αποσυνδέστε αμέσως τη συσκευή από το ρεύμα για να αποφύγετε πιθανότητα ηλεκτροπληξίας.
 - ◆ Μη χρησιμοποιείτε τη συσκευή αν έχει πέσει στο δάπεδο, αν παρουσιάζει εμφανή φθορά ή διαρροή.
 - ◆ Μην τοποθετείτε τη συσκευή επάνω σε ζεστές επιφάνειες, όπως εστίες μαγειρέματος, εστίες γκαζιού, φούρνους και συναφή.
 - ◆ Η συσκευή πρέπει να χρησιμοποιείται και να διατηρείται σε επίπεδη και σταθερή επιφάνεια.

ΧΡΗΣΗ ΚΑΙ ΣΥΝΤΗΡΗΣΗ:

- ◆ Πριν από κάθε χρήση, ξετυλίξτε τελείως το καλώδιο τροφοδοσίας της συσκευής.
- ◆ Μη χρησιμοποιείται τη συσκευή άδεια.
- ◆ Μη χρησιμοποιείται τη συσκευή αν δεν λειτουργεί ο διακόπτης έναρξης/παύσης λειτουργίας.
- ◆ Αποσυνδέετε τη συσκευή από το ρεύμα, όταν δεν τη χρησιμοποιείτε καθώς και πριν πραγματοποιήσετε οποιαδήποτε διαδικασία καθαρισμού.
- ◆ Διατηρήστε την παρούσα συσκευή μακριά από τα παιδιά ή/και τα άτομα με μειωμένες σωματικές, αισθητηριακές ή διανοητικές ικανότητες ή άτομα με ελλείψεις εμπειρίες ή γνώσεις.
- ◆ Βεβαιωθείτε ότι το πλέγμα εξαερισμού της συσκευής δεν παρεμποδίζεται από σκόνη, βρωμιά ή άλλα αντικείμενα.
- ◆ Χρησιμοποιείτε αυτήν τη συσκευή, τα εξαρτήματα και εργαλεία της σύμφωνα με τις παρούσες οδηγίες, λαμβάνοντας υπόψη τις συνθήκες χρήσης καθώς και τη χρήση που θα γίνει. Η χρήση της συσκευής για διαφορετικές λειτουργίες από αυτές που προβλέπονται μπορεί να προκαλέσει επικίνδυνες καταστάσεις.
- ◆ ΠΡΟΕΙΔΟΠΟΙΗΣΗ: Μη χρησιμοποιείτε τη συσκευή αν το το κρυστάλλο είναι ραγισμένο ή σπασμένο.

Λειτουργία:

- ◆ ΠΡΟΕΙΔΟΠΟΙΗΣΗ: Είναι επικίνδυνο για όλα τα άτομα που δεν είναι εξουσιοδοτημένα, να προχωρούν σε εργασίες συντήρησης ή επισκευής που απαιτούν την αφαίρεση του καπακιού, το οποίο προστατεύει από την έκθεση στην ενέργεια των μικροκυμάτων.
- ◆ Οποιαδήποτε μη ενδεδειγμένη χρήση ή χρήση αντίθετη προς τις οδηγίες χρήσης μπορεί να εγκυμονεί κινδύνους, και ακυρώνει την εγγύηση και την ευθύνη του κατασκευαστή.

ΠΕΡΙΓΡΑΦΗ

- A Πόρτα φούρνου μικροκυμάτων
- B Χερούλι πόρτας
- C Οθόνη LED
- D Οδηγός αυτόματου μενού
- E Πίνακας ελέγχου
- F Δίσκος φούρνου μικροκυμάτων
- G Ρόδες δίσκου
- H Δίσκος ψησίματος

- 1 Διακόπτης επιλογής ταχύτητας

- 2 Κουμπί ρολογιού/Διάταξη υπολογισμού του βάρους.
- 3 Επιλογέας grill
- 4 Επιλογέας συνδυασμένης λειτουργίας
- 5 Επιλογέας μεταφοράς θερμού αέρα
- 6 Επιλογέας μικροκυμάτων + μεταφοράς θερμού αέρα
- 7 Κουμπί έναρξης λειτουργίας
- 8 Κουμπί σταματήματος/ακύρωσης
- 9 Διακόπτης πολλαπλής λειτουργίας

Σε περίπτωση που το μοντέλο της συσκευής σας δεν διαθέτει τα εξαρτήματα που περιγράφονται παραπάνω, αυτά τα εξαρτήματα μπορείτε να τα αποκτήσετε μεμονωμένα από τις Υπηρεσίες τεχνικής συνδρομής.

ΕΓΚΑΤΑΣΤΑΣΗ

- ♦ Βεβαιωθείτε ότι απομακρύνετε κάθε υλικό συσκευασίας από τη συσκευή.
- ♦ Μην καλύπτετε ούτε να παρεμποδίζετε κανένα από τα ανοίγματα της συσκευής.
- ♦ Το βύσμα πρέπει να είναι εύκολα προσβάσιμο ώστε να μπορείτε να την αποσυνδέσετε σε περίπτωση έκτακτης ανάγκης.
- ♦ Βεβαιωθείτε ότι ο φούρνος δεν έχει υποστεί καμία βλάβη, όπως, για παράδειγμα, λάθος ευθυγράμμιση πόρτας ή κυρτωμένη πόρτα, πρόβλημα στη σφράγιση των πορτών και στην επιφάνεια σφράγισης, χαλασμένοι ή χαλαροί μεντεσέδες και μηχανισμοί κλεισίματος πόρτας και βαθουλώματα στον θάλαμο ή στην πόρτα. Σε περίπτωση βλάβης, μη χρησιμοποιήσετε τη συσκευή και επικοινωνήστε με την υπηρεσία τεχνικής βοήθειας.
- ♦ Μη τοποθετείτε τίποτα επάνω στον φούρνο μικροκυμάτων.
- ♦ Αφήστε 5 cm από κάθε πλευρά και 20 cm από πίσω, για σωστό εξαερισμό.
- ♦ Μη χρησιμοποιείτε τον φούρνο μικροκυμάτων σε εξωτερικούς χώρους.

Συναρμολόγηση του δίσκου

- ♦ Αφαιρέστε τη εσωτερική συσκευασία των εξαρτημάτων.
- ♦ Τοποθετήστε τις ρόδες του δίσκου (G) στον εσωτερικό θάλαμο του φούρνου μικροκυμάτων και βεβαιωθείτε ότι έχουν μπει στην εσωτερική αulάκωση.
- ♦ Τοποθετήστε τον δίσκο επάνω στις ρόδες, έτσι ώστε να ταιριάζει το εσωτερικό εξάρτημα περιστροφής του μοτέρ να είναι στο κέντρο.

Πρώτη σύνδεση στο ρεύμα (γενικές οδηγίες)

- ♦ Όταν ο φούρνος μικροκυμάτων συνδέεται για πρώτη φορά, θα ηχήσει ένα σφύριγμα και όλα τα σύμβολα θα ανάψουν. Εκείνη τη στιγμή, πατήστε το κουμπί σταματήματος/ακύρωσης για να βρεθείτε σε κατάσταση StandBy.
- ♦ Κατά τη διαδικασία μαγειρέματος, αν δεν πραγματοποιηθεί καμία ενέργεια στα είκοσι δευτερόλεπτα, θα μπει σε κατάσταση StandBy.
- ♦ Κατά τη διαδικασία μαγειρέματος, αν πιέσετε το κουμπί σταματήματος/ακύρωσης μία φορά, το πρόγραμμα θα σταματήσει και μπορείτε να το συνεχίσετε, πιέζοντας και πάλι τον διακόπτη πολλαπλής λειτουργίας. Αν πιέσετε το ίδιο κουμπί δύο φορές, η λειτουργία θα σταματήσει τελείως.
- ♦ Αφού ολοκληρωθεί η εκάστοτε διαδικασία, ο φούρνος μικροκυμάτων θα δείξει «End» και θα ακούγεται ένας ήχος ανά δύο λεπτά για να σας θυμίσει ότι η λειτουργία τελείωσε, μέχρι να πιέσετε κάποιο κουμπί ή να ανοίξετε την πόρτα.
- ♦ Αυτός ο φούρνος μικροκυμάτων διαθέτει λειτουργία ψύξης. Μετά από δύο λεπτά χρήσης, όταν ολοκληρωθεί το ψήσιμο, ο ανεμιστήρας παραμένει αναμμένος για περίπου 3 λεπτά, ώστε να διασφαλιστεί η σωστή ψύξη του φούρνου μικροκυμάτων.

Προγραμματισμός ρολογιού

- ♦ Αυτός ο φούρνος μικροκυμάτων διαθέτει δυνατότητα προβολής ώρας σε μορφή 12 ωρών και 24 ωρών. Μπορείτε να τους επιλέξετε πατώντας το κουμπί του ρολογιού.
- ♦ Στην κατάσταση StandBy πατήστε μία ή δύο φορές για να επιλέξετε ανάμεσα στις 12 ώρες ή στις 24 ώρες.
- ♦ Περιστρέψτε τον διακόπτη πολλαπλής λειτουργίας για να επιλέξετε την ώρα.
- ♦ Πατήστε το κουμπί του ρολογιού.
- ♦ Περιστρέψτε τον διακόπτη πολλαπλής λειτουργίας για να επιλέξετε τα λεπτά.
- ♦ Πιέστε το κουμπί ρολογιού για επιβεβαίωση.
- ♦ Σημείωση: Κατά τη διαδικασία μαγειρέματος, μπορείτε να βλέπετε την ώρα, πατώντας το κουμπί ρολογιού.

ΤΡΟΠΟΣ ΛΕΙΤΟΥΡΓΙΑΣ

Παρατηρήσεις πριν τη χρήση:

- ♦ Βεβαιωθείτε ότι έχετε αφαιρέσει όλα τα υλικά συσκευασίας του προϊόντος.

- ◆ Προετοιμάστε τη συσκευή ανάλογα με τη λειτουργία που θέλετε να πραγματοποιήσετε:

Άνοιγμα πόρτας

- ◆ Τραβήξτε από το χερούλι για να ανοίξετε την πόρτα.

Γρήγορο μαγείρεμα

- ◆ Βάλτε το φαγητό μέσα στον φούρνο μικροκυμάτων και κλείστε την πόρτα.
- ◆ Πιέστε το κουμπί έναρξη λειτουργίας. Ο φούρνος μικροκυμάτων θα αρχίσει να μαγειρεύει στη μέγιστη ισχύ για 30 δευτερόλεπτα.
- ◆ Σημείωση: Μπορείτε να αυξάνετε κατά 30 δευτερόλεπτα στον χρόνο με κάθε πάτημα του κουμπιού έναρξης.

Μαγείρεμα σε φούρνο μικροκυμάτων:

- Βάλτε το φαγητό μέσα στον φούρνο μικροκυμάτων και κλείστε την πόρτα.
- Στην κατάσταση standBy, πατήστε τον επιλογέα ισχύος μέχρι να επιλέξετε την ισχύ που θέλετε να χρησιμοποιήσετε.
- Περιστρέψτε τον διακόπτη πολλαπλής λειτουργίας για να επιλέξετε τον χρόνο.
- Πιέστε το κουμπί έναρξης λειτουργίας για να αρχίσει το μαγείρεμα.

Σημείωση: Ο φούρνος μικροκυμάτων διαθέτει 9 επίπεδα έντασης ισχύος: Πατήστε πολλές φορές τον επιλογέα ισχύος για να μπορέσετε να επιλέξετε μεταξύ των δυνατοτήτων ισχύος. 100 % (900 W), 90 % (810 W), 80 % (720 W), 70 % (630 W), 60 % (540 W), 50 % (450 W), 40 % (360 W), 30 % (270 W), 20 % (180 W), 10 % (90 W).

Σημείωση: Ο μέγιστος χρόνος λειτουργίας είναι 95 λεπτά.

Μαγείρεμα με grill

- Βάλτε το φαγητό μέσα στον φούρνο μικροκυμάτων και κλείστε την πόρτα.
- Από την κατάσταση StandBy, πατήστε τον επιλογέα grill. Η οθόνη θα δείξει ένα G.
- Περιστρέψτε τον διακόπτη πολλαπλής λειτουργίας για να επιλέξετε τον χρόνο.
- Πατήστε το κουμπί έναρξης λειτουργίας για να αρχίσει η λειτουργία.

Σημείωση: Ο μέγιστος χρόνος μαγειρέματος είναι 95 λεπτά.

Συνδυασμός

- Βάλτε το φαγητό μέσα στον φούρνο μικροκυμάτων και κλείστε την πόρτα.

- Από τη κατάσταση StandBy, πατήστε τον επιλογέα συνδυασμού δύο ή τρεις φορές για να επιλέξετε τον τρόπο λειτουργίας Co-1 ή Co-2.
- Περιστρέψτε τον διακόπτη πολλαπλής λειτουργίας για να επιλέξετε τον χρόνο.
- Πατήστε το κουμπί έναρξης λειτουργίας για να αρχίσει η λειτουργία.

Σημείωση: Η Co-1 χρησιμοποιεί 30 % σε ισχύ μικροκυμάτων και 70 % σε ισχύ grill. Η λειτουργία Co-2 χρησιμοποιεί 55 % σε ισχύ μικροκυμάτων και 45 % σε ισχύ grill.

Μεταφορά θερμού αέρα

Κατά τη διάρκεια του μαγειρέματος με μεταφορά θερμού αέρα, ο ζεστός αέρας κυκλοφορεί στο εσωτερικό του φούρνου μικροκυμάτων για να γίνουν τα τρόφιμα τραγανά γρήγορα και ομοιόμορφα. Αυτός ο φούρνος έχει διάφορους τρόπους υπολογισμού των θερμοκρασιών: 200 °C, 190 °C, 180 °C, 170 °C, 160 °C, 150 °C, 150 °C, 140 °C, 130 °C, 120 °C, 110 °C.

Για την προθέρμανση του φούρνου:

- Από την κατάσταση standBy, πατήστε τον επιλογέα μεταφοράς θερμού αέρα για να επιλέξετε την επιθυμητή θερμοκρασία.
- Πατήστε το κουμπί έναρξης λειτουργίας για επιβεβαίωση. Ο φούρνος θα αρχίσει να θερμαίνεται και θα σας ειδοποιήσει όταν φτάσει στην επιθυμητή θερμοκρασία. Όταν φτάσει στη θερμοκρασία που θέλετε, θα εκπέμπει ήχο ανά 5 λεπτά.

Σημείωση: Αν δεν ενεργοποιησετε τον φούρνο μικροκυμάτων για μισή ώρα όταν βρίσκεται σε αυτήν την κατάσταση, ο φούρνος μικροκυμάτων θα αποσυνδεθεί αυτόματα.

Για να μαγειρέψετε μετά την προθέρμανση

- Ανοίξτε την πόρτα και τοποθετήστε το φαγητό στο εσωτερικό, σε κατάλληλο σκεύος. ΠΡΑΚΤΙΚΗ ΣΥΜΒΟΥΛΗ: Μπορείτε να χρησιμοποιήσετε τον δίσκο ψησίματος που σας παρέχουμε.
- Περιστρέψτε τον διακόπτη πολλαπλής λειτουργίας για να επιλέξετε τον χρόνο.
- Πιέστε το κουμπί έναρξης λειτουργίας για να αρχίσει το μαγείρεμα.

Σημείωση: Κατά τη διάρκεια του μαγειρέματος, μπορείτε να δείτε τη θερμοκρασία του φούρνου, πατώντας το κουμπί μεταφοράς θερμού αέρα.

Μικροκύματα + μεταφορά θερμού αέρα

Αυτός ο φούρνος μικροκυμάτων μπορεί να αναμείξει μικροκύματα και μεταφορά θερμού αέρα για να σας προσφέρει νέες δυνατότητες στην κουζίνα. Διαθέτει τέσσερις θερμοκρασίες με τις οποίες μπορεί και να δουλέψει: 200 °C, 170 °C, 140 °C, 110 °C.

- Από την κατάσταση standBy, πατήστε τον επιλογέα μικροκυμάτων + μεταφοράς θερμού αέρα για να επιλέξετε την επιθυμητή θερμοκρασία.
- Περιστρέψτε τον διακόπτη πολλαπλής λειτουργίας για να επιλέξετε τον χρόνο μαγειρέματος.
- Πατήστε το κουμπί έναρξης λειτουργίας για να αρχίσει το μαγείρεμα.

Απόψυξη

- Βάλτε το φαγητό που θέλετε να αποψύξετε μέσα στον φούρνο μικροκυμάτων και κλείστε την πόρτα.
- Από την κατάσταση StandBy, περιστρέψτε τον διακόπτη πολλαπλής λειτουργίας
- Περιστρέψτε τον διακόπτη πολλαπλής λειτουργίας για να επιλέξετε τον χρόνο μαγειρέματος.
- Πατήστε το κουμπί έναρξης λειτουργίας για να ξεκινήσει η απόψυξη.

Σημείωση: Κατά τη διάρκεια της απόψυξης, το σύστημα θα εκπέμψει έναν ήχο και θα σταματήσει για να μπορέσετε να γυρίσετε το φαγητό. Αφού γυρίσετε το φαγητό, πατήστε τον περιστρεφόμενο διακόπτη για να συνεχιστεί η λειτουργία.

Multi-stage cooking

Υπάρχει η δυνατότητα να συσσωρευτούν 3 βήματα μαγειρέματος.

Για παράδειγμα, ας υποθέσουμε ότι θέλετε να χρησιμοποιήσετε μικροκύματα 100 % για να μαγειρέψετε ένα κρέας για 15 λεπτά και να χρησιμοποιήσετε το grill για 5 λεπτά.

- Πατήστε το κουμπί επιλογής ισχύος μία φορά.
- Χρησιμοποιήστε τον διακόπτη για να προγραμματίσετε 15 λεπτά.
- Μετά πατήστε το κουμπί επιλογής grill.
- Ρυθμίστε τον χρόνο, χρησιμοποιώντας τον περιστρεφόμενο διακόπτη.
- Πιέστε το κουμπί έναρξη λειτουργίας.

Σημείωση: Σε αυτόν τον τρόπο λειτουργίας, δεν μπορούν να χρησιμοποιηθούν τα αυτόματα μενού, η απόψυξη και/ή το γρήγορο μαγείρεμα ως δυνατότητες.

Κλειδωμα για τα παιδιά

Αυτή η λειτουργία υπάρχει για να εμποδίζεται ανεπιθύμητη χρήση από παιδιά.

Η φραγή για τα παιδιά ενεργοποιείται αυτόματα, αν περάσει ένα λεπτό χωρίς δραστηριότητα. Σε αυτήν την κατάσταση, όλα τα κουμπιά απενεργοποιούνται.

Για να ακυρωθεί ο τρόπος λειτουργίας, ανοίξτε την πόρτα του φούρνου μικροκυμάτων.

ΑΥΤΟΜΑΤΟ ΜΕΝΟΥ

Για να χρησιμοποιήσετε αυτήν την εύκολη και χρήσιμη λειτουργία, το μόνο που πρέπει να γνωρίζετε είναι το βάρος του προϊόντος και τη φύση του, για παράδειγμα, αν είναι γάλα, πρέπει να βάλτε «υγρό».

Για να χρησιμοποιήσετε αυτήν τη λειτουργία:

- Περιστρέψτε τον διακόπτη προς τα αριστερά για να επιλέξετε το σωστό μενού (A1 έως A 9, στη συνέχεια θα βρείτε έναν πίνακα αντιστοιχιών).
- Πατήστε τη διάταξη υπολογισμού του βάρους για να επιλέξετε το βάρος ή τις μερίδες.
- Πιέστε το κουμπί έναρξης λειτουργίας για να ξεκινήσει το πρόγραμμα.

Μενού	Βάρος / Ποσότητα
A1 Πατάτες	1-3 μερίδες
A2 Γάλα/Καφές/Υγρό	1-3 ποτήρια (200 ml)
A3 Ποπ κορν	99 g
A4 Ξαναζέσταμα	200 – 800 g
A5 Ζυμαρικά	100 g (450 ml νερό)
	200 g (800 ml νερό)
	300g (1200 ml νερό)
A6 Πίτσα	150 – 450 g
A7 Κοτόπουλο	800 – 1400 g
A8 Γλυκά	475 g
A9 Απόψυξη	Κοιτάξτε το τμήμα του εγχειριδίου.

Σημείωση: Για τον τρόπο λειτουργίας 7, τα μικροκύματα θα σταματήσουν στα μισά της διαδικασίας, για να γυρίσετε το φαγητό. Όταν γυρίσετε το τρόφιμο, κλείστε την πόρτα και πατήστε το κουμπί «έναρξη» για να συνεχιστεί η λειτουργία.

Σημείωση: Το αποτέλεσμα του αυτόματου μενού θα εξαρτηθεί από πολλούς παράγοντες. Αν δεν σας ικανοποιήσει το αποτέλεσμα, προσαρμόστε τον χρόνο μαγειρέματος.

Αφού ολοκληρωθεί η χρήση της συσκευής:

- ♦ Καθαρίστε τη συσκευή.



Αυτό το σύμβολο σημαίνει ότι εάν θέλετε να απαλλαγείτε από το προϊόν, όταν έχει ολοκληρωθεί ο κύκλος ζωής του, οφείλετε να το εναποθέσετε, με τα κατάλληλα μέσα, στα χέρια ενός διαχειριστή αποβλήτων, εγκεκριμένου για την επιλεκτική συλλογή αποβλήτων ειδών ηλεκτρικού και ηλεκτρονικού εξοπλισμού (ΑΗΗΕ).

Το παρόν προϊόν συμμορφώνεται με την οδηγία 2014/35/EU χαμηλής τάσης, με την οδηγία 2014/30/EU για την ηλεκτρομαγνητική συμβατότητα, με την οδηγία 2011/65/EU για τον περιορισμό της χρήσης ορισμένων επικίνδυνων ουσιών σε ηλεκτρικό και ηλεκτρονικό εξοπλισμό και με την οδηγία 2009/125/EC για τις απαιτήσεις οικολογικού σχεδιασμού όσον αφορά τα συνδεδεμένα με την ενέργεια προϊόντα.

ΚΑΘΑΡΙΟΤΗΤΑ

- ♦ Αποσυνδέετε τη συσκευή από το ρεύμα και αφήστε τη να ψυχρανθεί πριν πραγματοποιήσετε οποιαδήποτε διαδικασία καθαρισμού.
- ♦ Καθαρίστε τη συσκευή με ένα υγρό πανί, βρεγμένο με μερικές σταγόνες απορρυπαντικού και μετά στεγνώστε τη.
- ♦ Μην χρησιμοποιείται διαλυτικά ούτε προϊόντα με όξινο ή αλκαλικό παράγοντα pH, όπως η χλωρίνη, ούτε λειαντικά προϊόντα για τον καθαρισμό της συσκευής.
- ♦ Μην αφήσετε να εισχωρήσει νερό ή άλλο υγρό από τα ανοίγματα εξερισμού για να αποφύγετε ζημιές στα λειτουργικά τμήματα στο εσωτερικό της συσκευής.
- ♦ Μην εμβαπτίζετε ποτέ τη συσκευή σε νερό ή άλλο υγρό, ούτε να τη βάζετε κάτω από τη βρύση.
- ♦ Αφαιρέστε τον κρυστάλλινο δίσκο και τον περιστρεφόμενο δακτύλιο για να τους καθαρίσετε. Πλύνετε τα με ζεστό νερό και σαπούνι ή στο πλυντήριο πιάτων. Ξανατοποθετήστε τα στη σωστή θέση.
- ♦ Σας προτείνουμε να καθαρίζετε τακτικά τη συσκευή και να αφαιρείτε όλα τα υπολείμματα τροφίμων.

ΕΓΓΥΗΣΗ ΚΑΙ ΤΕΧΝΙΚΗ ΥΠΟΣΤΗΡΙΞΗ

Το παρόν προϊόν αναγνωρίζεται και προστατεύεται από τη νόμιμη εγγύηση συμμόρφωσης προς την ισχύουσα νομοθεσία. Για να διεκδικήσετε τα δικαιώματά ή συμφέροντά σας πρέπει να απευθυνθείτε σε ένα από επίσημα γραφεία μας τεχνικής υποστήριξης.

Θα βρείτε το πλησιέστερο, ακολουθώντας τον παρακάτω σύνδεσμο: <http://www.2helru.com/>

Επίσης, μπορείτε να ζητήσετε οποιαδήποτε πληροφορία, επικοινωνώντας μαζί μας (Κοιτάξε την τελευταία σελίδα αυτού του εγχειριδίου).

Μπορείτε να «κατεβάσετε» από το διαδίκτυο το παρόν εγχειρίδιο οδηγιών και τις σχετικές ενημερώσεις του στο <http://www.2helru.com/>

ΠΡΟΒΛΗΜΑΤΑ ΚΑΙ ΕΠΙΣΚΕΥ-ΕΣ

- ♦ Σε περίπτωση βλάβης, μεταφέρετε τη συσκευή σε εξουσιοδοτημένο κατάστημα τεχνικής εξυπηρέτησης πελατών. Μην προσπαθήσετε να την αποσυναρμολογήσετε ή να την επισκευάσετε γιατί μπορεί να εκτεθείτε σε κίνδυνο.

Για τις εκδοχές ΕΕ της συσκευής και/ή εφόσον ισχύουν τα παρακάτω στη χώρα σας:**Οικολογία και ανακυκλωσιμότητα του προϊόντος**

- ♦ Τα υλικά συσκευασίας αυτής της συσκευής, συμμετέχουν σε πρόγραμμα αποκομιδής, ταξινόμησης και ανακύκλωσης τους. Αν θέλετε να απαλλαγείτε από αυτά τα υλικά, μπορείτε να χρησιμοποιήσετε τους δημόσιους κάδους που ενδείκνυνται για κάθε είδος υλικού.
- ♦ Το προϊόν δεν περιέχει συγκεντρώσεις ουσιών που μπορούν να θεωρηθούν επιζήμιες για το περιβάλλον.

Микроволновая печь ВХМЗ901Е

Уважаемый клиент!

Благодарим за выбор аппарата торговой марки BLACK+DECKER.

Он выполнен с применением передовых технологий, имеет элегантный дизайн, надежную конструкцию и превышает наиболее требовательные стандарты качества, что обеспечит полное соответствие вашим требованиям и продолжительный срок службы.

- ◆ Внимательно прочтите эту инструкцию перед включением электроприбора и сохраните ее для использования в будущем. Ненадлежащее соблюдение этой инструкции может быть причиной несчастного случая.

ИНСТРУКЦИЯ ПО ТЕХНИКЕ БЕЗОПАСНОСТИ

- ◆ ВАЖНЫЕ ИНСТРУКЦИИ ПО ТЕХНИКЕ БЕЗОПАСНОСТИ, ВНИМАТЕЛЬНО ПРОЧИТАЙТЕ ИХ И СОХРАНИТЕ НА БУДУЩЕЕ.
- ◆ ВНИМАНИЕ: Если дверца или уплотнитель дверцы повреждены, не разрешается использовать духовку до тех пор, пока квалифицированным специалистом не будет выполнен ее ремонт.
- ◆ ВНИМАНИЕ: Операции по техническому обслуживанию или ремонту прибора, предполагающие снятие крышки, которая обеспечивает защиту от воздействия микроволновой энергии, опасно выполнять лицам, не являющимся квалифицированными специалистами в этой области.
- ◆ ВНИМАНИЕ: Запрещается нагревать жидкости и другие продукты, находящиеся в герметичных контейнерах, так как они могут взорваться.
- ◆ Этот прибор предназначен исключительно для домашнего, не промышленного использования. Он не предназначен для того, чтобы его использовали постояльцы в мини-гостиницах, отелях, мотелях, других местах проживания гостиничного типа, а также в животноводческих постройках, подсобных помещениях магазинов, в офисах и на других рабочих местах;
- ◆ Для правильной работы прибора необходима соответствующая вентиляция помещения. Оставьте пространство около 20 см над прибором, и по 5 см с обеих сторон.
- ◆ Пользуйтесь только той посудой, которая подходит для использования в микроволновой печи.
- ◆ Металлические контейнеры для еды и напитков не разрешено использовать во время приготовления в микроволновой печи.
- ◆ Разогревая пищу в пластиковых или бумажных контейнерах, следите за печью, так как существует риск возгорания.
- ◆ Микроволновая печь предназначена для разогревания еды и

- напитков. Сушка пищи или одежды, а также нагревание грелок, тапочек, губок, влажной ткани и т. п. может привести к травме, возгоранию или пожару.
- ◆ Если появится дым, остановите и отключите прибор от сети, оставив дверцу закрытой, чтобы уменьшить пламя.
 - ◆ Нагрев напитков с помощью микроволновой печи может привести к позднему закипанию и разбрызгиванию; поэтому при обращении с контейнером, в котором находится жидкость, необходимо соблюдать осторожность.
 - ◆ Следует перемешивать и взбалтывать содержимое бутылочек для кормления и баночек с детским питанием, а также проверять их температуру перед употреблением во избежание ожогов.
 - ◆ Яйца в скорлупе и цельные яйца вкрутую не следует нагревать в микроволновых печах, так как они могут взорваться даже после того, как микроволновая печь будет выключена.
 - ◆ перед использованием очистите все части, которые будут контактировать с продуктами питания;
 - ◆ Микроволновую печь следует регулярно чистить, удаляя остатки пищи.
 - ◆ Если не поддерживать духовку в чистом состоянии, то в результате это может привести к повреждению поверхности прибора, что, в свою очередь, может отрицательно сказаться на сроке службы прибора и, возможно, быть опасным.
 - ◆ Прибор нельзя чистить при помощи пароочистителя.
 - ◆ Микроволновая печь предназначена для использования автономно.
 - ◆ Не устанавливайте прибор внутри шкафа.
 - ◆ Данное устройство может использоваться детьми старше 8 лет, лицами с ограниченными физическими, сенсорными или умственными возможностями, а также лицами, не обладающими соответствующим опытом или знаниями, только под присмотром или после проведения инструктажа по безопасному использованию устройства и с пониманием связанных с ним опасностей.
 - ◆ Прибор не является игрушкой. Необходимо следить за детьми, чтобы они не играли с ним.
 - ◆ Дети не должны выполнять чистку или ухаживать за прибором без присмотра старших.

- ◆ Во время использования прибора температура дверцы и других наружных поверхностей может быть очень высокой.
- ◆ не используйте прибор вместе с устройствами программирования, таймерами или другими устройствами, которые могут автоматически включить его.
- ◆ Не удаляйте слюдяную пластину, закрывающую волновод.
- ◆ Поврежденный сетевой шнур подлежит замене в авторизованном сервисном центре. Не допускается разбирать или ремонтировать прибор, так как это небезопасно.
- ◆ Этот прибор предназначен только для домашнего, а не профессионального или промышленного использования.
- ◆ Прежде чем включить электроприбор, убедитесь, что напряжение на этикетке соответствует напряжению электросети.
- ◆ Подключите электроприбор к заземленной розетке, рассчитанной на ток не менее 10 ампер.
- ◆ Сетевая вилка должна подходить к розетке. Не допускается вносить изменения в вилку сетевого шнура. Не допускается также использовать переходники для розетки.
- ◆ Не тяните за шнур питания. Не допускается использовать шнур питания, чтобы поднимать или переносить электроприбор, вынимать вилку из розетки, потянув за шнур.
- ◆ Не допускается, чтобы сетевой шнур свешивался или касался горячих частей прибора.
- ◆ Проверьте состояние шнура питания. Поврежденный или запутанный шнур может быть причиной поражения электрическим током.
- ◆ Не прикасайтесь к вилке влажными руками.

- ◆ Не допускается эксплуатировать электроприбор с поврежденным шнуром или вилкой питания.
- ◆ При любом повреждении корпуса электроприбора немедленно отключите его от сети, чтобы не допустить поражения электрическим током.
- ◆ Не допускается использовать прибор после падения на пол, если на нем имеются видимые следы повреждений или протечка.
- ◆ Не ставьте прибор на горячие поверхности: на конфорки, газовые горелки, в духовку и т.п.
- ◆ Чтобы использовать прибор, его нужно установить на ровную и устойчивую поверхность.

ИСПОЛЬЗОВАНИЕ И УХОД

- ◆ Перед каждым использованием полностью разворачивайте сетевую кабель.
- ◆ не допускается, чтобы прибор работал без загрузки;
- ◆ Не допускается эксплуатировать электроприбор с неисправным выключателем питания.
- ◆ Отсоедините электроприбор от сети после использования или для его чистки.
- ◆ Храните этот прибор вне досягаемости от детей и/или лиц с ограниченными физическими, сенсорными или умственными возможностями, или же тех, кто не знаком с правилами его использования.
- ◆ Убедитесь, что пыль, грязь или другие посторонние объекты не блокируют вентиляционную решетку прибора.
- ◆ Любое несоответствующее использование прибора или несоблюдение инструкций по эксплуатации освобождают производителя от гарантийных обязательств по ремонту, а также снимают ответственность с изготовителя. Несоблюдение норм безопасности может привести к несчастному случаю.
- ◆ **ВНИМАНИЕ:** Не используйте прибор, если стекло треснуто или разбито.

Сервисное обслуживание:

- ◆ **ВНИМАНИЕ:** Работы по техобслуживанию или ремонту прибора, которые предполагают снятие защитного кожуха микроволновой печи, должны выполняться только обученными специалистами, так как такие действия небезопасны.
- ◆ Любое неправильное использование или несоблюдение инструкций автоматически приводит к аннулированию гарантии и снятию ответственности производителя.

ОПИСАНИЕ

- A Дверца микроволновой печи
- B Ручка для открытия
- C Светодиодный дисплей
- D Автоменю
- E Панель управления
- F Вращающееся блюдо
- G Опорный обод
- H Поднос для выпекания

- 1 Переключатель мощности
- 2 Кнопка Часы/Регулировка веса
- 3 Режим Гриль
- 4 Переключатель комбинированного режима
- 5 Переключатель конвекции
- 6 Переключатель микро+конвекция
- 7 Кнопка Старт
- 8 Кнопка Стоп/Отмена
- 9 Многофункциональный переключатель

Если в комплекте с вашей моделью не поставляются нужные вам насадки, их можно приобрести отдельно через службу технической поддержки.

УСТАНОВКА

- ◆ Убедитесь в том, что вы вынули все упаковочные материалы из прибора.
- ◆ Не накрывайте и не заграждайте отверстия прибора.
- ◆ Штепсельная вилка должна быть легко доступна, чтобы в случае необходимости ее можно было бы отсоединить.
- ◆ Проверьте духовку на наличие повреждений, которые могут быть такими как: смещенная или согнутая дверца, поврежденные дверные уплотнения и уплотняющая поверхность, сломанные или ослабленные дверные петли и защелки, а также вмятины внутри духовки или на дверце. В случае наличия каких-либо повреждений не используйте духовку и обратитесь к квалифицированному специалисту по техническому обслуживанию.
- ◆ Не кладите никаких предметов на микроволновую печь.
- ◆ Оставьте расстояние около 5 см с каждой стороны духовки и 20 см сзади, чтобы гарантировать правильную вентиляцию прибора.
- ◆ Не используйте печь на открытом воздухе.

Установка тарелки

- ◆ Уберите картон и пластик из внутренней части прибора.
- ◆ Установите колесики для тарелки (G) внутрь микроволновой печи, убедившись, что они попали внутрь отверстий на внутреннем основании.
- ◆ Поместите блюдо на колесики, совместив центр с внутренней частью, соединенной с двигателем.

При первом подключении (Общие настройки)

- ◆ Когда прибор будет подключен в первый раз, прозвучит звуковой сигнал, и загорятся все кнопки. Нажмите кнопку Стоп/отмена для перехода в режим ожидания.
- ◆ В режиме приготовления, если прибор бездействует в течение 20 секунд, то микроволновая печь вернется в режим ожидания.
- ◆ Во режиме приготовления, если один раз нажать на кнопку STOP/CANCEL, программа будет приостановлена. Для возобновления нажмите кнопку START/QUICK START. Если нажать на кнопку STOP/CANCEL дважды, то заданная программа будет отменена.
- ◆ После окончания приготовления каждые две минуты на экране будет отображаться сообщение «Завершить», сопровождаемое звуковым сигналом, до тех пор, пока пользователь не нажмет какую-либо кнопку или не откроет дверцу.
- ◆ Эта микроволновая печь имеет функцию охлаждения. После использования прибора в течение двух минут, включится охлаждающий вентилятор, который будет работать примерно 3 минуты, чтобы обеспечить правильную вентиляцию микроволновой печи.

Настройка времени

- ◆ Вы можете выбрать 24- или 12-часовой формат. Вы можете установить время в 24- или 12-часовом формате, нажав кнопку CLOCK.
- ◆ В режиме ожидания нажмите кнопку CLOCK один или два раза, чтобы выбрать 24- или 12-часовой формат времени.
- ◆ Поверните переключатель MENU/TIME, чтобы задать часы.
- ◆ Нажмите один раз на кнопку CLOCK.
- ◆ Поверните переключатель MENU/TIME, чтобы задать минуты.
- ◆ Нажмите кнопку CLOCK для подтверждения.
- ◆ ПРИМЕЧАНИЕ: Во время приготовления вы можете проверить текущее время, нажав на кнопку CLOCK.

ИНСТРУКЦИЯ ПО ЭКСПЛУАТАЦИИ

Перед использованием:

- ◆ Убедитесь в том, что вы полностью распаковали прибор.
- ◆ Подготовьте электроприбор к работе.

Открытие дверцы

- ◆ Потяните на себя ручку дверцы, чтобы открыть ее.

Быстрое приготовление

- ◆ Поместите еду внутрь микроволновой печи и закройте дверцу.
- ◆ Нажмите кнопку Старт. Микроволновая печь начнет работу на максимальной мощности в течение 30 секунд.
- ◆ ПРИМЕЧАНИЕ: Вы можете добавлять по 30 секунд к режиму быстрого приготовления, каждый раз нажимая для этого на кнопку старта.

Микроволновая печь:

- ◆ Поместите еду внутрь прибора и закройте дверь.
 - ◆ В режиме ожидания нажмите переключатель мощности, чтобы выбрать желаемую мощность работы.
 - ◆ Поверните многофункциональный переключатель, чтобы выбрать время приготовления.
 - ◆ Нажмите кнопку Старт для начала приготовления.
- ПРИМЕЧАНИЕ: Эта микроволновая печь имеет 10 уровней мощности. Нажмите переключатель мощности несколько раз, чтобы прокрутить их. 100 % (900 W), 90 % (810 W), 80 % (720 W), 70 % (630 W), 60 % (540 W), 50 % (450 W), 40 % (360 W), 30 % (270 W), 20 % (180 W), 10 % (90 W).

ПРИМЕЧАНИЕ: Максимально возможное время приготовления составляет 95 минут.

Режим Гриль

- Поместите еду внутрь прибора и закройте дверь.
- В режиме ожидания нажмите переключатель функций один раз.
- Поверните многофункциональный переключатель, чтобы задать время приготовления.
- Нажмите кнопку Старт для начала приготовления.

ПРИМЕЧАНИЕ: Максимально возможное время приготовления составляет 95 минут.

Комбинированный режим приготовления

- Поместите еду внутрь прибора и закройте дверь.
- В режиме ожидания нажмите переключатель комбинированного режима один или два раза, чтобы выбрать режим Co-1 или Co-2 соответственно.
- Поверните многофункциональный переключатель, чтобы выбрать время.
- Нажмите кнопку Старт для запуска программы.

ПРИМЕЧАНИЕ: Режим Co-1 использует 30 % мощности микроволновой печи и 70 % мощности гриля. Режим Co-2 использует 55 % мощности микроволновой печи и 70 % мощности гриля.

Конвекция

Во время приготовления с конвекцией горячий воздух циркулирует внутри духовки для обеспечения быстрого и равномерного приготовления блюд с хрустящей корочкой. Эта микроволновая печь имеет разные температурные режимы: 200 °C, 190 °C, 180 °C, 170 °C, 160 °C, 150 °C, 150 °C, 140 °C, 130 °C, 120 °C, 110 °C.

Для разогрева духовки:

- В режиме ожидания нажмите переключатель конвекции для выбора желаемой температуры.
- Нажмите кнопку Старт один раз для подтверждения. Духовка начнет разогрев и подаст звуковой сигнал по достижении нужной температуры. Сигнал будет издаваться каждые 5 секунд.

ПРИМЕЧАНИЕ: Если вы не выполните никакого действия по окончании разогрева печи, она будет подавать звуковой сигнал каждые 5 секунд в течение 30 минут. После этого она автоматически отключится. Для приготовления в режиме конвекции после разогрева

- Откройте дверь и поместите контейнер с едой в центр вращающейся платформы. СОВЕТ: вы можете использовать поднос для выпекания в качестве антипригарного противня, как в духовом шкафу.
- Поверните многофункциональный переключатель, чтобы задать время приготовления.
- Нажмите кнопку Старт для начала приготовления.

ПРИМЕЧАНИЕ: Во время приготовления вы можете проверить температуру, нажав кнопку конвекции.

Микроволновая печь + конвекция

Эта печь может сочетать мощность микроволновой печи с мощностью конвекции, открывая вам новые возможности в приготовлении пищи. При этой функции доступно четыре температурных режима: 200 °C, 170 °C, 140 °C, 110 °C.

- В режиме ожидания нажмите переключатель микро+конвекция для выбора желаемой температуры.
- Поверните многофункциональный переключатель, чтобы выбрать время приготовления.
- Нажмите кнопку Старт для подтверждения.

Разморозка

- Поместите еду внутрь прибора и закройте дверь.
- В режиме ожидания поверните переключатель против часовой стрелки и выберите автоматический режим 9.
- Поверните многофункциональный переключатель, чтобы выбрать время приготовления.
- Нажмите кнопку Старт для подтверждения.

ПРИМЕЧАНИЕ: Во время процесса разморозки система издаст звуковой сигнал и остановится в середине заданного времени, чтобы вы могли перевернуть продукты. После этого нажмите на многофункциональный переключатель, чтобы возобновить работу.

Многоэтапное приготовление

Эта микроволновая печь может быть запрограммирована издаст звуковой сигнал и остановится в середине заданного времени, чтобы вы могли перевернуть продукты. После этого нажмите на многофункциональный переключатель, чтобы возобновить работу.

Микроволновая печь будет осуществлять приготовление на максимальной мощности в течение 10 минут, а после этого – в режиме гриля в течение 5 минут.

Многоэтапное приготовление

Эта микроволновая печь позволяет осуществлять приготовление пищи в 3 этапа.

Например, предположим, что вы хотите использовать 100 % мощности микроволновой печи в течение 15 минут и функцию гриля в течение 5 минут.

- Нажмите на переключатель мощности один раз.
- Используйте переключатель, чтобы задать время – 15 минут.
- После этого нажмите на переключатель функций один раз, чтобы выбрать гриль.
- Задайте время на 5 мин.
- Нажмите кнопку Старт для начала приготовления.

ПРИМЕЧАНИЕ: Режимы Автоменю, разморозка и быстрое приготовление не могут быть использованы при настройке многоэтапного приготовления.

Защита от детей

Эта функция используется для предотвращения несчастных случаев в случае непреднамеренного использования прибора детьми.

Блокировка от детей включается автоматически, если прибор бездействует в течение одной минуты. В этом режиме никакая кнопка не работает.

Чтобы снять блокировку от детей, откройте дверцу.

АВТОМЕНЮ

Чтобы использовать эту функцию, вам просто нужно знать вес и тип продукта, например, если это молоко, то вам нужно выбрать Жидкости.

- Поверните переключатель против часовой стрелки, чтобы выбрать нужное меню. Вы можете обратиться к таблице для этого меню ниже.
- Нажмите на кнопку регулировки веса, чтобы выбрать вес продуктов или их количество.
- Нажмите кнопку Старт для начала приготовления.

Меню	Вес / количество
A1 Картофель	1-3 штуки
A2 Молоко/Кофе/Жидкости	1-3 стакана (200 мл)
A3 Попкорн	99 г
A4 Повторный разогрев	200 – 800 г
A5 Макаронные изделия	100 г (450 мл воды)
	200 г (800 мл воды)
	300 г (1200 мл воды)
A6 Пицца	150 – 450 г
A7 Курица	800 – 1400 г
A8 Кондитерские изделия	475 г
A9 Разморозка	См. раздел о разморозке.

ПРИМЕЧАНИЕ: В режиме 7 микроволновая печь остановит работу в середине времени приготовления, чтобы вы могли перевернуть еду.

ПРИМЕЧАНИЕ: Результат автоматического приготовления будет зависеть от многих факторов. Если вы не удовлетворены результатом, немного отрегулируйте время приготовления.

После использования:

- ◆ Очистите прибор.

ОЧИСТКА

- ◆ Отсоедините прибор от сети после использования, чтобы он остыл перед очисткой.
- ◆ Очистите прибор, используя влажную ткань и несколько капель чистящей жидкости, и вытрите его насухо.
- ◆ Не допускается использовать растворители или продукты на основе кислоты или с высоким уровнем pH, например, отбеливатель, а также абразивные чистящие вещества.
- ◆ Не допускайте попадания внутрь через отверстия для прохождения воздуха воды или иной жидкости, чтобы не повредить внутренние части.
- ◆ Не помещайте электроприбор в воду или иную жидкость, а также под струю воды.
- ◆ Снимите стеклянную тарелку и вращающийся обод для очистки. Производите очистку прибора в горячей мыльной воде или в посудомоечной машине. Правильно заменяйте детали.
- ◆ Рекомендуется регулярно очищать прибор и тщательно удалять все пищевые остатки.

НЕИСПРАВНОСТИ И РЕМОНТ

- ◆ В случае неисправности отнесите электроприбор в сервисный центр. Не пытайтесь самостоятельно отремонтировать электроприбор — это может быть опасно.

Для изделий в версии ЕС и/или, если этого требует законодательство в вашей стране:

Экология и вторичное использование

- ◆ Материалы упаковки прибора принимаются системой сбора и сортировки материалов для вторичного их использования. Для утилизации используйте бытовые контейнеры для каждого типа мусора.

- ◆ В изделии нет веществ в концентрациях, которые считаются вредными для окружающей среды.



Этот значок означает, что после окончания срока службы для утилизации электроприбора отнесите его в пункт сбора электрических и электронных отходов (WEEE)

Этот прибор выполнен в соответствии с Директивой по низковольтному оборудованию 2014/35/EU, Директивой по электромагнитной совместимости 2014/30/EU, Директивой 2011/65/EU, ограничивающей использование некоторых опасных веществ в электрическом и электронном оборудовании, а также Директивой 2009/125/EC по экологическим требованиям к изделиям, потребляющим энергию.

Гарантия и техническая поддержка

Этот продукт защищен юридической гарантией в соответствии с действующим законодательством. Чтобы обеспечить соблюдение ваших прав или интересов, вы должны обратиться в любую из наших официальных служб по технической поддержке клиентов.

Вы можете найти ближайшие из центров, пройдя по следующей веб-ссылке: <http://www.2helpu.com/>

Вы также можете запросить соответствующую информацию, связавшись с нами (см. последнюю страницу руководства).

Вы можете скачать эту инструкцию и ее обновления на сайте <http://www.2helpu.com/>

Cuptor cu microunde BXMZ901E

Stimate client,

Vă mulțumim că ați ales să cumpărați un produs marca BLACK+DECKER.

Datorită tehnologiei sale, designului și modului de funcționare, precum și faptului că depășește cele mai stricte standarde de calitate, se poate garanta o utilizare complet satisfăcătoare și de lungă durată a produsului.

- ◆ Înainte de a porni aparatul, citiți cu atenție aceste instrucțiuni și păstrați-le pentru a le putea consulta în viitor. Nerespectarea acestor instrucțiuni poate provoca un accident.

RECOMANDĂRI ȘI AVERTIZĂRI PRIVIND SIGURANȚA

- ◆ INSTRUCȚIUNI IMPORTANTE CU PRIVIRE LA SIGURANȚĂ CITIȚI CU ATENȚIE ȘI PĂSTRAȚI-LE PENTRU A LE PUTEA CONSULTA ULTERIOR
- ◆ AVERTISMENT! În cazul în care ușa sau garniturile ușii sunt deteriorate, cuptorul nu trebuie să fie utilizat până ce nu va fi reparat de un specialist.
- ◆ AVERTISMENT! Este periculos ca altcineva în afară de un specialist să desfășoare vreo activitate sau vreo reparație care implică îndepărtarea unui capac cu rol de protecție împotriva expunerii la energia cuptorului cu microunde.
- ◆ AVERTISMENT! Lichidele sau alte tipuri de alimente nu trebuie să fie încălzite în recipiente închise întrucât riscă să explodeze.
- ◆ Acest aparat este destinat utilizării în gospodărie, nu celei profesionale sau industriale. Nu este destinat utilizării de către clienți în medii de tip hotel, de exemplu pensiuni, hoteluri, moteluri și alte tipuri de medii rezidențiale, chiar și case țărănești, în zonele de bucătărie rezervate personalului din magazine, birouri și alte medii de lucru.
- ◆ Acest aparat necesită o ventilație adecvată pentru a funcționa în mod corespunzător. Lăsați un spațiu de 20 cm deasupra aparatului și de 5 cm în părțile laterale.
- ◆ Utilizați doar ustensile adecvate în cuptoarele cu microunde.
- ◆ Nu este permisă utilizarea recipientelor metalice pentru alimente și băuturi în timpul coacerii în cuptorul cu microunde.
- ◆ Atunci când încălziți alimentele în recipiente de plastic sau de hârtie, supravegheați cuptorul întrucât există posibilitatea de combustie.
- ◆ Cuptorul cu microunde este destinat încălzirii alimentelor și băuturii. Uscarea alimentelor sau a rufelor și încălzirea pernițelor pentru încălzire, a papucilor, a bureților, a cârpelor umeze sau a altor obiecte similare poate cauza leziuni, combustie sau incendiu.
- ◆ În cazul în care aparatul degajă fum, opriți-l sau scoateți-l din priză

și țineți ușa închisă pentru a înăbuși flăcările.

- ◆ Încălzirea băuturilor la microunde poate duce la fierbere cu erupție întârziată: de aceea, trebuie să fiți precaut/ă atunci când manevrați recipientul.
- ◆ Conținutul biberoanelor și al borcanelor cu hrană pentru bebeluși se va amesteca sau agita și se va verifica temperatura înainte de consum, pentru ca arsurile să fie evitate.
- ◆ Nu se încălzesc în cuptorul cu microunde ouăle în coajă și ouăle fierte tari întrucât pot exploda, chiar și după oprirea încălzirii cuptorului.
- ◆ Înainte de utilizare, curățați toate componentele produsului care vor fi în contact cu alimentele, așa cum este indicat în secțiunea de curățare.
- ◆ Cuptorul trebuie să fie curățat în mod regulat, iar resturile de alimente trebuie înlăturate.
- ◆ Păstrarea cuptorului murdar poate duce la deteriorarea suprafeței, ceea ce poate afecta în mod negativ condițiile de garanție ale aparatului și poate provoca pericole.
- ◆ Nu curățați aparatul cu un aspirator cu aburi.
- ◆ Cuptorul cu microunde este destinat utilizării independente.
- ◆ Nu plasați aparatul într-un dulap.
- ◆ Acest aparat poate fi utilizat de către copiii cu vârsta de peste 8 ani, precum și de către persoanele ce au o capacitate fizică, senzorială sau mentală redusă sau fără experiență și cunoștințe, doar dacă aceștia sunt sub supraveghere sau au fost instruiți în legătură cu utilizarea aparatului în condiții de siguranță și înțeleg eventualele pericole.
- ◆ Acest aparat nu este o jucărie. Copiii trebuie supravegheați, pentru a vă asigura că nu se joacă cu aparatul.
- ◆ Curățarea și întreținerea nu trebuie efectuate de către copii fără supraveghere.
- ◆ Temperatura ușii și a altor suprafețe accesibile poate fi ridicată atunci când aparatul este în funcțiune.
- ◆ Nu utilizați acest aparat împreună cu un programator, temporizator sau alt dispozitiv care îl pornește în mod automat.
- ◆ Nu îndepărtați placa de mică ce acoperă ghidul de undă.
- ◆ În cazul în care conexiunea la rețeaua de alimentare a fost avariata, aceasta trebuie înlocuită, iar aparatul trebuie dus la un service de asistență tehnică autorizat. Nu încercați să dezamblați sau să reparați aparatul pe cont propriu, pentru a evita pericolele.

◆ Acest aparat este destinat exclusiv uzului casnic, nu profesional sau industrial.

- ◆ Înainte de a brânșa aparatul, verificați dacă tensiunea de pe plăcuța de identificare a aparatului corespunde celei de la rețeaua de alimentare.
- ◆ Conectați aparatul la o priză de minim 10 amperi.
- ◆ Ștecărul aparatului trebuie să intre corect în priză. Nu modificați ștecărul. Nu utilizați adaptoare pentru ștechere.
- ◆ Nu forțați cablul de alimentare. Nu utilizați niciodată cablul de alimentare pentru a ridica, transporta sau deconecta aparatul.
- ◆ Nu permiteți cablului de alimentare să atârne sau să intre în contact cu suprafețele fierbinți ale aparatului.
- ◆ Verificați starea cablului de alimentare. Cablurile deteriorate sau încurcate măresc riscul de electrocutare.
- ◆ Nu atingeți ștecherul cu mâinile ude.
- ◆ Nu utilizați aparatul dacă acesta are ștecărul sau cablul de alimentare deteriorat.
- ◆ Dacă una din părțile carcasei aparatului se rupe sau este deteriorată, deconectați imediat aparatul de la rețea, pentru a preveni posibilitatea unui șoc electric.
- ◆ Nu utilizați aparatul dacă a căzut, dacă există semne vizibile de defecțiune sau dacă prezintă scurgeri.
- ◆ Nu puneți aparatul pe suprafețe fierbinți, cum ar fi plitele, arzătoarele aragazurilor, cuptoarele sau altele asemănătoare.
- ◆ Aparatul trebuie utilizat și amplasat pe o suprafață plană și stabilă.

UTILIZARE ȘI ÎNGRIJIRE:

- ◆ Desfășurați complet cablul de alimentare al aparatului înainte de fiecare utilizare.
- ◆ Nu folosiți aparatul dacă este gol.
- ◆ Nu utilizați aparatul dacă comutatorul pornit/oprit nu funcționează.
- ◆ Deconectați aparatul de la rețeaua de alimentare atunci când nu îl utilizați și înainte de a-l curăța.
- ◆ Depozitați aparatul într-un loc care să nu fie la îndemâna copiilor și/sau a persoanelor cu capacități fizice, senzoriale sau mentale reduse, ori care nu au experiența sau cunoștințele necesare.
- ◆ Asigurați-vă că praful, impuritățile sau alte obiecte străine nu blochează grilajul ventilatorului de pe aparat.
- ◆ Utilizați aparatul, accesoriile și sculele sale conform acestor instrucțiuni. Țineți cont de condițiile de funcționare și de sarcina pe care o îndepliniți. Orice utilizare

incorectă sau în dezacord cu instrucțiunile de utilizare poate implica o situație periculoasă.

- ◆ **ATENȚIE!** Nu utilizați aparatul dacă sticla este fisurată sau spartă.

Service:

- ◆ **ATENȚIE!** Lucrările de întreținere sau de reparație, care pot fi efectuate doar de către tehnicieni calificați, trebuie să cuprindă înlăturarea capacului de protecție al cuptorului, întrucât aceste acțiuni sunt periculoase.
- ◆ Orice utilizare necorespunzătoare sau nerespectare a instrucțiunilor determină garanția și responsabilitățile producătorului să devină nule și neavenite.

DESCRIERE

- A Ușa cuptorului cu microunde
- B Mâner de deschidere
- C Ecran LED
- D Ghidul meniului automat
- E Panou de control
- F Placă rotativă
- G Rotițe pentru placa rotativă
- H Tavă de opt

- 1 Butonul pentru selectarea puterii
- 2 Buton de ceas/Reglarea greutateii
- 3 Butonul pentru selectarea grilajului
- 4 Butonul pentru selectarea funcției de asociere
- 5 Butonul pentru selectarea convecției
- 6 Butonul pentru selectarea micro+convecție
- 7 Buton de pornire
- 8 Buton de oprire/de anulare
- 9 Mâner multifuncțional

Dacă modelul aparatului dvs. nu conține accesoriile descrise mai sus, acestea pot fi achiziționate și separat de la Service-ul de Asistență Tehnică.

INSTALARE

- ◆ Asigurați-vă că înlăturați tot materialul ambalajului din interiorul aparatului.
- ◆ Nu acoperiți sau obturați orificiile aparatului.
- ◆ Ștecherul trebuie să fie ușor accesibil astfel încât acesta să poată fi deconectat în caz de urgență.
- ◆ Verificați cuptorul pentru eventualele deteriorări, cum ar fi ușa nealinată sau indoită, garniturile ușilor și suprafața

de etanșare deteriorate, balamalele ușilor și zăvoarele stricate sau desfăcute, creștături ale interiorului cavității sau al ușii. Dacă există vreo deteriorare, nu utilizați cuptorul și contactați personal calificat.

- ◆ Nu așezați nimic peste cuptorul cu microunde.
- ◆ Păstrați cuptorul la o distanță de aproximativ 5 cm pentru fiecare latură și 20 cm pentru partea din spate pentru a asigura o ventilație corectă.
- ◆ Nu utilizați cuptorul în aer liber

Montarea plăcii

- ◆ Îndepărtați complet cartonul și plasticul din interiorul aparatului.
- ◆ Plasați roțile plăcii (G) în cavitatea internă a cuptorului cu microunde, asigurându-vă că acestea rămân în interiorul orificiului de pe baza interioară.
- ◆ Așezați placa peste roți, potrivit centrul cu piesa internă conectată la motor.

Conectarea prima dată (Instrucțiuni generale)

- ◆ Când conectați cuptorul pentru prima dată, veți auzi un semnal sonor și se vor aprinde toate simbolurile. În acel moment, apăsați buton de oprire/de anulare pentru a ajunge în modul de așteptare.
- ◆ În timpul coacerii, dacă nicio funcție nu este în desfășurare, după 20 de secunde cuptorul va reveni în modul de așteptare.
- ◆ În timpul coacerii, dacă apăsați tasta STOP/CANCEL o dată, programul va fi întrerupt, apoi apăsați tasta START/QUICK START pentru a relua coacerea, dar dacă apăsați tasta STOP/CANCEL de două ori, programul va fi anulat.
- ◆ După finalizarea coacerii, ecranul va afișa Finalizare urmat de un semnal sonor la fiecare două minute până când utilizatorul apasă pe oricare tastă sau deschide ușa.
- ◆ Acest cuptor cu microunde are o funcție de răcire. După două minute de utilizare, ventilatorul de răcire va rămâne în funcțiune timp de aproape 3 minute pentru a asigura ventilația corectă a cuptorului cu microunde.

Setarea formatului de timp

- ◆ Acesta este un format cu 24 sau cu 12 ore. Puteți alege să setați formatul de timp într-un ciclu de 24 sau 12 ore apăsând tasta CLOCK.
- ◆ În modul de așteptare, apăsați tasta CLOCK o dată sau de două ori pentru a selecta formatul de 24 sau de 12 ore.

- ◆ Rotiți mânerul MENU/TIME pentru a seta ora.
- ◆ Apăsați tasta CLOCK o dată.
- ◆ Rotiți mânerul MENU/TIME pentru a seta minutele.
- ◆ Apăsați tasta CLOCK pentru a confirma.
- ◆ NOTĂ: În timpul coacerii, puteți verifica timpul curent al ceasului apăsând tasta CLOCK.

INSTRUCȚIUNI DE UTILIZARE

Înainte de utilizare:

- ◆ Asigurați-vă că ați îndepărtat toate ambalajele produsului.
- ◆ Pregătiți aparatul conform funcției pe care doriți să o folosiți.

Deschideți ușa

- ◆ Trageți mânerul pentru a deschide ușa.

Coacere rapidă

- ◆ Puneți mâncarea în cuptorul cu microunde și închideți ușa.
- ◆ Apăsați butonul de pornire. Cuptorul cu microunde va începe să funcționeze la putere maximă în 30 de secunde.
- ◆ NOTĂ: Puteți adăuga 30 de secunde la coacere rapidă de fiecare dată când apăsați butonul de pornire.

Microunde:

- ◆ Puneți alimentele în aparat și închideți ușa.
 - ◆ Din modul de așteptare, apăsați butonul pentru selectarea puterii pentru a selecta puterea dorită.
 - ◆ Rotiți mânerul multifuncțional pentru a selecta timpul de coacere.
 - ◆ Apăsați butonul de pornire pentru a începe coacerea.
- NOTĂ: Acest cuptor cu microunde are 10 niveluri de putere. Apăsați butonul pentru selectarea puterii de câteva ori pentru a trece prin ele. 100 % (900 W), 90 % (810 W), 80 % (720 W), 70 % (630 W), 60 % (540 W), 50 % (450 W), 40 % (360 W), 30 % (270 W), 20 % (180 W), 10% (90 W).
- NOTĂ: Timpul maxim de coacere este de 95 de minute.

GĂTIREA PE GRĂȚAR

- Puneți alimentele în aparat și închideți ușa.
- Din modul de așteptare apăsați o dată butonul pentru selectarea funcției.
- Rotiți mânerul multifuncțional pentru a selecta timpul de coacere.

- Apăsăți butonul de pornire pentru a începe coacerea.

NOTĂ: Timpul maxim de coacere este de 95 de minute.

Coacere combinată

- Puneți alimentele în aparat și închideți ușa.
- Din modul de așteptare, apăsați butonul pentru selectarea combinării o dată sau de două ori pentru a selecta modul Co-1 sau Co-2.
- Rotiți mânerul multifuncțional pentru a selecta timpul.
- Apăsăți butonul de pornire pentru a porni funcția

NOTĂ: Co-1 utilizează puterea microundelor în procent de 30 % și puterea grătarului în procent de 70 %. Modul Co-2 utilizează puterea microundelor în procent de 55 % și puterea grătarului în procent de 45 %.

Convecție

În timpul coacerii prin convecție, aerul fierbinte circulă în interiorul cuptorului pentru a pregăti rapid și uniform alimente crocante. Acest cuptor are temperaturi diferite: 200 °C, 190 °C, 180 °C, 170 °C, 160 °C, 150 °C, 150 °C, 140 °C, 130 °C, 120 °C, 110 °C.

Pentru a preîncălzi cuptorul:

- În modul de așteptare, apăsați butonul pentru selectarea convecției pentru a selecta temperatura dorită.
- Apăsăți butonul de pornire o dată pentru a confirma. Cuptorul va începe să se încălzească și va produce un sunet atunci când va ajunge la temperatura potrivită. Va produce un sunet la fiecare 5 secunde.

NOTĂ: Dacă nu veți întreprinde nicio acțiune atunci când cuptorul este preîncălzit, va produce un sunet la fiecare 5 secunde timp de 30 de secunde. După aceea, se va închide automat.

Coacerea prin convecție după preîncălzire

- Deschideți ușa și introduceți recipientul cu alimente în centrul plăcii turnante. SFAT: puteți utiliza tava de copt pe post de tavă non-aderentă, ca la cuptoarele obișnuite.
- Rotiți mânerul multifuncțional pentru a selecta timpul de coacere.
- Apăsăți butonul de pornire pentru a începe coacerea.

NOTĂ: În timpul coacerii, puteți verifica temperatura apăsând pe butonul de convecție.

Microunde + convecție

Acest cuptor poate combina puterea microundelor cu puterea de convecție pentru a oferi posibilități noi de coacere. Are patru temperaturi de combinare disponibile: 200 °C, 170 °C, 140 °C, 110 °C.

- În modul de așteptare, apăsați pe butonul pentru selectare micro+convecție pentru a selecta temperatura dorită.
- Rotiți mânerul multifuncțional pentru a selecta timpul de coacere.
- Apăsăți butonul de pornire pentru a confirma.

dezghețare

- Puneți alimentele în aparat și închideți ușa.
- Din modul de așteptare, rotiți mânerul spre stânga și selectați modul automat 9.
- Rotiți mânerul multifuncțional pentru a selecta timpul de coacere.
- Apăsăți butonul de pornire pentru a confirma.

NOTĂ: În timpul procesului de dezghețare, sistemul va produce un semnal sonor și se va opri în mijlocul timpului de coacere pentru a vă permite să întoarceți alimentele. După aceasta, apăsați pe mânerul multifuncțional pentru a relua coacerea.

Coacere în mai multe etape

Cuptorul dvs. poate fi programat pentru maxim 3 secvențe de coacere automată. Să presupunem că vreți să setați următorul program de coacere:

Coacere la cuptorul cu microunde la puterea maximă timp de 10 minute, iar după aceea, coacere pe grătar timp de 5 minute.

Coacere în mai multe etape

Acest cuptor cu microunde vă permite să coaceți în 3 etape diferite de coacere.

Să presupunem, de exemplu, că vreți să utilizați cuptorul la puterea maximă timp de 15 minute, și să utilizați grătarul timp de 5 minute.

- Apăsăți o dată butonul pentru selectarea puterii
- Utilizați butonul rotativ pentru a selecta 15 minute.
- După aceea, apăsați butonul pentru selectarea funcției o dată pentru a selecta grătarul.
- Reglați timpul la 5 minute.
- Apăsăți butonul de pornire pentru a începe coacerea.

NOTĂ: Modulile meniu-automat, dezghețare și coacere rapidă nu pot fi utilizate ca etape în coacerea în mai multe etape.

Blocarea pentru copii

Această funcție este utilizată pentru evitarea accidentelor cauzate de utilizarea neobservată de către copii.

Blocarea pentru copii va fi activată automat după un minut

fără vreo operațiune în prealabil. În această stare, toate tastele sunt dezactivate.

Pentru a anula blocarea pentru copii, deschideți ușa.

MENIU AUTOMAT

Pentru a utiliza această funcție, va trebui doar să știți greutatea și tipul de alimente, de exemplu, dacă este lapte, va trebui să alegeți lichide.

- Rotiți mânerul la stânga pentru a selecta meniul corect. Veți găsi mai jos un tabel cu privire la acest meniu.
- Apăsăți pe reglarea greutății pentru a selecta greutatea sau bucățile,
- Apăsăți butonul de pornire pentru a coace.

Meniu	Greutate/Cantitate
A1 Cartofi	1-3 bucăți
A2 Lapte/Cafea/Lichide	1-3 ceșcuțe (200 ml)
A3 Floricele de porumb	99 g
A4 Reîncălzire	200 – 800 g
A5 Paste	100 g (450 ml apă)
	200 g (800 ml apă)
	300 g (1200 ml apă)
A6 Pizza	150 – 450 g
A7 Pui	800 – 1400 g
A8 Prăjituri	475 g
A9 Dezghetare	Verificați secțiunea de dezghetare.

NOTĂ: Pentru modul 7, cuptorul cu microunde se va opri în mijlocul operațiunii pentru a întoarce alimentele.

NOTĂ: Rezultatul coacerii automate va depinde de mulți factori. În cazul în care aveți probleme cu rezultatul, reglați timpul de coacere un pic mai mult.

După ce ați terminat de utilizat aparatul:

- ◆ Curățați aparatul.

CURĂȚARE

- ◆ Deconectați aparatul de la sursa de alimentare și lăsați-l să se răcească înainte de a-l curăța.
- ◆ Curățați aparatul cu o cârpă umedă și câteva picături de detergent lichid, apoi uscați-l.
- ◆ Nu utilizați solvenți sau produse cu pH acid sau bazic, precum înălbitori sau produse abrazive, pentru curățarea aparatului.
- ◆ Nu permiteți ca apa sau orice alt lichid să pătrundă în gurile de aerisire pentru a evita deteriorarea pieselor interne ale aparatului.
- ◆ Nu scufundați niciodată aparatul în apă sau în orice alt lichid și nu lăsați apa să curgă pe acesta.
- ◆ Scoateți placa de sticlă și inelul rotativ pentru a fi curățate. Curățați în apă fierbinte, cu săpun sau într-o mașină de spălat vase. Puneți la loc corect piesele.
- ◆ Este recomandabil să curățați aparatul în mod regulat și să îndepărtați resturile de alimente.

ANOMALII ȘI REPARAȚII

- ◆ Duceți aparatul la un service de asistență tehnică autorizat, dacă produsul este deteriorat sau apar alte probleme. Nu încercați să demontați sau să reparați singur aparatul, deoarece poate fi periculos.

Pentru versiunile UE ale produsului și/sau în cazul în care este obligatoriu în țară dvs.:

Ecologie și reciclarea produsului

- ◆ Materialele din care este alcătuit ambalajul acestui produs sunt incluse într-un sistem de colectare, clasificare și reciclare. Dacă doriți să le eliminați, utilizați pubelele publice corespunzătoare fiecărui tip de material.
- ◆ Produsul nu conține substanțe în concentrații care ar putea fi considerate dăunătoare pentru mediu.



Acest simbol înseamnă că, în cazul în care doriți să aruncați aparatul la încheierea duratei de funcționare, trebuie să îl duceți la un centru de colectare a deșeurilor autorizat, pentru colectarea selectivă a Deșeurilor provenite de la Echipamente Electrice și Electronice (DEEE).

Acest aparat respectă Directiva 2014/35/EU cu privire la echipamentele electrice destinate utilizării în cadrul unor

anumite limite de tensiune, Directiva 2014/30/EU cu privire la compatibilitatea electromagnetică, Directiva 2011/65/EU privind restricțiile de utilizare a anumitor substanțe periculoase în echipamentele electrice și electronice și Directiva 2009/125/EC de instituire a unui cadru pentru stabilirea cerințelor în materie de proiectare ecologică aplicabile produselor cu impact energetic.

Garanție și asistență tehnică

Acest produs beneficiază de recunoașterea și protecția garanției legale în conformitate cu legislația în vigoare. Pentru a vă exercita drepturile sau interesele, trebuie să vă adresați unuia dintre service-urile noastre oficiale de asistență tehnică.

Puteți găsi cel mai apropiat serviciu de asistență tehnică accesând următorul link web: <http://www.2helpu.com/>

De asemenea, puteți solicita informații corelate, contactându-ne (consultați ultima pagină a manualului).

Puteți descărca acest manual de instrucțiuni și actualizările acestuia de pe site-ul <http://www.2helpu.com/>

Микровълнова фурна ВХМZ901Е

Уважаеми клиенти,

Благодарим Ви, че закупихте електроуред с марката BLACK+DECKER.

Технологията, дизайнът и функционалността на същия, както и фактът, че той надвишава най-стриктните норми за качество ще Ви донесат пълно и дълготрайно задоволство от него.

◆ Прочетете внимателно тази брошура, преди да пуснете уреда в действие. Запазете я за по-нататъшни справки. Несъобразяването с настоящите указания може да стане причина за произшествие.

СЪВЕТИ И ПРЕДУПРЕЖДЕНИЯ ЗА БЕЗОПАСНОСТ.

- ◆ ВАЖНИ МЕРКИ ЗА СИГУРНОСТ. ПРОЧЕТЕТЕ ВНИМАТЕЛНО И ГИ СЪХРАНЕТЕ ЗА ПО-НАТАТЪШНИ СПРАВКИ
- ◆ ВНИМАНИЕ!: Ако вратата и уплътнението ѝ са нарушени, не включвайте апарата, докато не бъдат поправени от квалифицирани лица.
- ◆ ВНИМАНИЕ!: Поправките и работите по поддръжка, изискващи отстраняване на някое защитно покритие срещу енергията на микровълновата фурна могат да бъдат извършвани само от квалифицирани лица. Неспазването на това указание може да доведе до злополука.
- ◆ ВНИМАНИЕ!: Не загревайте течности или други хранителни продукти в херметично затворени

съдове, тъй като може да избухнат.

- ◆ Този уред е предназначен единствено за битови нужди, не за професионална нито промишлена употреба. Настоящият уред не е предназначен за работа в ресторанти и заведения от вида „bed and breakfast“, в хотели, мотели и други заведения за отдих, както и в обекти за селски туризъм, зони за готвене, запазени за личния състав на магазини, офиси и други видове работна среда.
- ◆ За да може уредът да работи изправно, необходима е правилна вентилация. Моля, оставете по 20 см свободно пространство над фурната, и 5 см от двете ѝ страни.
- ◆ Използвайте изключително съдове, пригодни за микровълнови печки.
- ◆ Забранява се използването на метални съдове. Когато загревате хранителни продукти в пластмасови или картонени съдове, дръжте фурната под наблюдение поради опасност от запалването им.
- ◆ Микровълновата фурна е предназначена за загреване на храни и напитки. Не сушете дрехи, не загревайте възглавници, чехли, гъби, влажни кърпи и подобни може да предизвика наранявания, изгаряния или пожар.

- ◆ Ако се появи дим, спрете или изключете уреда и дръжте вратата затворена, за да загасите възможно възникнали пламъци.
- ◆ При загряването им във фурната, течностите може да достигнат точката на завиране с известно закъснение. Ето защо боравете внимателно със съда, в който се намират.
- ◆ С цел избягване на изгаряния, разбъркайте или разклатете бибероните и детските кашички, а преди употреба, проверете температурата им.
- ◆ Не загрявайте в микровълновата фурна яйца с черупката, нито твърди яйца, тъй като могат да избухнат, дори след като загряването е завършило.
- ◆ Преди да използвате ел. уреда за първи път, почистете всички части, намиращи се в допир с хранителните продукти, следвайки упътванията от раздел “Почистване”.
- ◆ Почиствайте микровълновата фурна често и я поддържайте чиста от остатъци от храна. Ако не я почиствате, повърхността на микровълновата фурна може да се похаби, което да се отрази отрицателно на живота на уреда и да предизвика злополуки.
- ◆ Не използвайте пароструйки за почистване на фурната.
- ◆ Микровълновата фурна не е предвидена за вграждане.
- ◆ Не поставяйте уреда в шкаф.
- ◆ Този уред може да бъде използван от деца над 8 годишна възраст и хора с физически, сензорни или умствени увреждания, или такива без опит и познания, само и единствено ако предварително им е обяснено как да го използват безопасно, и ако съзнават съществуващите рискове.
- ◆ Уредът не е играчка! Децата следва да се намират под надзор, така че да не си играят с уреда.
- ◆ Не допускайте деца да извършват почистване или поддръжка на уреда без надзор.
- ◆ Температурата на достъпните повърхности може да бъде висока, когато уредът работи. Не използвайте програматори, таймери или друго устройство, което да включва уреда автоматично.
- ◆ Не отстранявайте слюдената тава, покриваща водача на вълните.
- ◆ Ако захранващият кабел е повреден, следва да бъде подменен. Отнесете уреда в оторизиран сервиз за техническо обслужване.

Не се опитвайте да го разглобите или ремонтирате, тъй като това може да се окаже опасно.

- ◆ Този уред е предназначен единствено за битови нужди, а не за професионална или промишлена употреба.
- ◆ Преди да свържете уреда към мрежата, проверете, дали посоченото на табелката с техническите характеристики напрежение съвпада с напрежението на електрическата мрежа.
- ◆ Включете уреда в заземен източник на електрически ток, издържащ най-малко 10 ампера.
- ◆ Щепселът на уреда следва да съвпада по вид с електрическия контакт. В никакъв случай не променяйте вида на щепсела. Не използвайте адаптори за щепсела.
- ◆ Не упражнявайте сила върху електрическия кабел. В никакъв случай не използвайте електрическия кабел за повдигане, пренасяне или изключване на апарата.
- ◆ Не допускайте електрическия кабел да се допира до горещите повърхности на уреда.
- ◆ Проверявайте състоянието на захранващия кабел. Ако кабелът е повреден или заплетен, опасността от електрически удар нараства.
- ◆ Не пипайте с мокри ръце щепсела за включване в мрежата.
- ◆ Не използвайте уреда при повреден кабел или щепсел.
- ◆ Ако някоя външна част на уреда се повреди, незабавно го изключете от захранващата мрежа, за да предотвратите опасността от електроудар.
- ◆ Моля не използвайте уреда, ако е паднал или ако има видими следи от увреждане.
- ◆ Не поставяйте уреда върху топли повърхности като плочи за готвене, газови котлони, фурни и др.
- ◆ Уредът следва да се постави и използва върху равна и стабилна повърхност.

УПОТРЕБА И ПОДДРЪЖКА:

- ◆ Преди употреба развийте напълно захранващия кабел на уреда.
- ◆ Не използвайте уреда, когато е празен.
- ◆ Не използвайте уреда при повреден блок за „вкл./изкл“.

- ◆ Изключете уреда, когато не го използвате, или когато се готвите да го почистите.
- ◆ Съхранявайте уреда далеч от достъпа на деца и/или хора с намалени физически, сензорни или умствени възможности, или от такива без опит и познания за боравене с него.
- ◆ Проверете дали вентилационните решетки не са запушени от прах, нечистотии или други предмети.
- ◆ Използвайте този уред, както и приставките и инструментите към него като следвате тези инструкции, съобразявайки се с работните условия и престоящата за извършване дейност. Употребата на уреда за цели, различни от посочените може да доведе до опасни положения.
- ◆ **ВНИМАНИЕ!** Не използвайте уреда, при пукнато или счупено стъкло.

Обслужване на уреда:

- ◆ **ВНИМАНИЕ!** Опасно е некомпетентни лица да пристъпват към дейности на поддръжка или поправка–таква, които изискват махането на капака, защитаващ срещу излагане на енергията на микровълновата фурна.
- ◆ Неправилното използване на уреда или неспазването на указанията за работа е опасно, анулира гаранцията и освобождава производителя от отговорност.

ОПИСАНИЕ

- | | |
|---|---|
| A | Врата на фурната |
| B | Ръкохватка на вратата |
| C | Екран LED |
| D | Водач на автоменюто |
| E | Контролно табло |
| F | Чиния на фурната |
| G | Колелца на фурната |
| H | Поднос за опичане |
| 1 | Селектор на мощността |
| 2 | Бутон „часовник /Настройка на теглото“. |
| 3 | Селектор „грил“ |
| 4 | Селектор „комбинация“ |
| 5 | Селектор “конвекция“ |
| 6 | Селектор „микро+конвекция“ |
| 7 | Пусков бутон |
| 8 | Бутон за спиране/прекрътяване |
| 9 | Многофункционален контролер |

Ако Вашият модел уред няма някои от гореописани-

те принадлежности, може да ги закупите отделно в Сервизите за техническо обслужване.

МОНТАЖ

- ◆ Уверете се, че сте извадили всички опаковки от вътрешността на уреда.
- ◆ Не покривайте и не запушвайте отворите на уреда.
- ◆ Щепселът следва да е леснодостъпен, за да може при извънредно положение да бъде изваден.
- ◆ Уверете се, че микровълновата фурна не е повредена, като например да е с изкривени ръбове или има вдлъбнатини; дали не е повредена уплътнението на вратата и на повърхността, върху която ляга уплътнението, дали не са повредени или разхлабени пантите и заключалките на вратата, и дали няма вдлъбнатини във вътрешността или по вратата. Ако откриете неизправности, не използвайте уреда, а се свържете със сервиза за техническа помощ.
- ◆ Не поставяйте нищо върху фурната.
- ◆ Оставете отстояние от около 5 см от всяка страна и около 20 см отзад, за да осигурите правилна вентилация.
- ◆ Не използвайте фурната на открито.

Монтаж на чинията

- ◆ Отстранете вътрешната опаковка от частите.
- ◆ Поставете колелата на чинията (G) във вътрешната кухня на микровълновата фурна, като проверите, дали са разположени във вътрешния жлеб.
- ◆ Поставете чинията върху колелцата, като нагласите средата с вътрешната въртелива част на мотора.

Първо подключване към електрическата мрежа (общи указания)

- ◆ При първо включване на фурната ще се чуе изсвирване и всички символи ще светнат. В този момент натиснете бутона за спиране/прекратяване, за да влезете в режим „изчакване“ („StandBy“)
- ◆ Ако по време на готвенето не извършите никаква дейност, след изтичането на двадесет секунди фурната ще влезе в режим „изчакване“ („standby“).
- ◆ Ако по време на готвенето натиснете еднократно бутона за спиране/прекратяване, програмата прави пауза. За подновяването му натиснете още веднъж многофункционалния контролер. При двукратно натискане на същия бутон режимът ще се прекрати напълно.
- ◆ При приключване на всеки процес фурната ще изпи-

ше „End“ и ще започне да изпикува на две минути, за да Ви напомни, че режимът е приключил. Това ще продължи, докато натиснете някой от бутоните или отворите вратата.

- ◆ Тази фурна има режим „охлаждане“. След двуминутна употреба, когато работата на фурната приключи, вентилаторът остава включен в продължение на около 3 минути, за да се осигури правилното ѝ охлаждане.

Настройване на часовника

- ◆ Фурната разполага с визуализатор на времето от 12 ч и 24 ч. Можете да ги изберете, натискайки бутона на часовника.
- ◆ При режим „изчакване“ („StandBy“) натиснете еднократно или двукратно, за да изберете между 12 ч и 24 ч.
- ◆ Завъртете многофункционалния контролер, за да изберете часа.
- ◆ Натиснете бутона на часовника.
- ◆ Завъртете многофункционалния контролер, за да изберете минутата.
- ◆ Натиснете бутона на часовника, за да потвърдите.
- ◆ БЕЛЕЖКА: По време на готвенето можете да направите справка за часа, като натиснете бутона на часовника.

НАЧИН НА УПОТРЕБА

Забележки преди употреба:

- ◆ Уверете се, че изцяло сте отстранили опаковката на уреда.
- ◆ Подгответе уреда в зависимост от желаня режим (функция):

Отваряне на вратата

- ◆ За отваряне на вратата я дръпнете.

Бързо готвене

- ◆ Поставете храната във фурната и затворете вратата.
- ◆ Натиснете пусковия бутон. Фурната започва да готви при максимална мощност в продължение на 30 секунди.
- ◆ БЕЛЕЖКА: При всяко натискане на пусковия бутон можете да увеличавате времето с 30 секунди.

Работа с микровълновата фурна:

- Поставете храната във фурната и затворете вратата.
- При режим „StandBy“ натиснете селектора на мощност, докато изберете мощността, която желаете да използвате.
- Завъртете многофункционалния контролер, за да изберете времето.
- Натиснете пусковия бутон, за да започнете готвенето.

БЕЛЕЖКА: Фурната разполага с 9 степени на мощност: Многократно натиснете селектора на мощност, за да изберете между тях. 100 % (900 W), 90 % (810 W), 80 % (720 W), 70 % (630 W), 60 % (540 W), 50 % (450 W), 40 % (360 W), 30 % (270 W), 20 % (180 W), 10 % (90 W).

БЕЛЕЖКА: Най-продължителното време за работа е 95 минути.

Готвене с грила

- Поставете храната във фурната и затворете вратата.
- В режим „StandBy“ моля натиснете контролера за грила. На екрана ще се изпише „G“.
- Завъртете многофункционалния контролер, за да изберете времето.
- Натиснете пусковия бутон, за да задействате режима.

БЕЛЕЖКА: Най-продължителното време за работа е 95 минути.

Комбинация

- Поставете храната във фурната и затворете вратата.
- От режим „изчакване“ („StandBy“) натиснете еднократно или двукратно селектора за комбинация, за да изберете режим „Со-1“ или „Со-2“.
- Завъртете многофункционалния контролер, за да изберете времето.
- Натиснете пусковия бутон, за да задействате режима.

БЕЛЕЖКА: „Со-1“ използва 30% мощност при фурната и 70% мощност при грила. Режим „Со-2“ използва 55% мощност при фурната и 45 % мощност при грила.

Конвекция

По време на готвене чрез конвекция горещият въздух циркулира във вътрешността на фурната за приготвяне на хрупкави храни бързо и равномерно. Фурната има различни настройки за температура: 200 °C, 190

°C, 180 °C, 170 °C, 160 °C, 150 °C, 150 °C, 140 °C, 130 °C, 120 °C, 110 °C.

За предзагриване на фурната:

- При режим „StandBy“ натиснете селектора „конвекция“, докато изберете желаната температура.
- За да потвърдите натиснете пусковия бутон. Фурната ще започне загреването и ще Ви извести, когато достигне желаната температура. След достигането || тя ще изсвири на всеки 5 минути.

БЕЛЕЖКА: Ако не задействате фурната в този режим в продължение на половин час, тя ще изключи автоматично.

За готвене след предварително затопляне

- Отворете вратата и поставете вътре храната в подходящ съд. Подсказка: Можете да използвате тавата за фурна, която сме Ви доставили.
- Завъртете многофункционалния контролер, за да изберете времето.
- Натиснете пусковия бутон, за да започнете готвенето.

БЕЛЕЖКА: По време на готвенето можете да проверявате температурата на фурната като натискате бутона „конвекция“.

Микровълнова фурна + Конвекция

Фурната може да смесва микровълните с конвекция. Това осигурява нови функции във Вашата кухня. Разполагате с температурно табло с температурните стойности, с които можете да работите: 200 °C, 170 °C, 140 °C, 110 °C.

- При режим „StandBy“ натиснете селектора „фурна+конвекция“, за да изберете желаната температура.
- Завъртете мултифункционалния контролер, за да изберете време за готвене.
- Натиснете пусковия бутон, за да започнете готвенето.

Размразяване

- Поставете храната за размразяване във фурната и затворете вратата.
- При режим „изчакване“ („StandBy“) завъртете мултифункционалния контролер.
- Завъртете мултифункционалния контролер, за да изберете време за готвене.
- Натиснете пусковия бутон, за да започнете размразяването.

БЕЛЕЖКА: По време на размразяването системата ще изсвири и ще спре, за да можете да обърнете храната. След като сторите това натиснете въртящия се контролер, за да подновите работата.

Многостепенно готвене

Позволено е да се съберат 3 стъпки на готвене

Например, да допуснем, че желаете да използвате фурната на 100% за готвене на порция месо за 15 минути, а след това да използвате грила в продължение на 5 минути.

- Натиснете веднъж бутона за избор на мощност.
- Използвайте контролера, за да програмирате 15 минути.
- След това натиснете бутона-селектор „грил“.
- Настройте времето посредством въртящия се контролер.
- Натиснете пусковия бутон.

БЕЛЕЖКА: Не може да се използват автоменютата, размразяването и/или бързото готвене като функции при този режим.

Блокировка за деца

Този режим се използва, за да предотврати неправомерното използване на уреда от деца.

Ако не се предприеме никакво действие в продължение на една минута, блокировката за деца ще се задейства автоматично. В това състояние всички бутони ще са деактивирани.

За да прекратите режима отворете вратата на фурната.

АВТОМАТИЧНО МЕНЮ

За да използвате с лекота и успешно този режим само следва предварително да знаете теглото на продукта и неговото естество—например, ако е мляко, то следва да пише „течност“.

За използване на този режим:

- Завъртете въртящия се контролер наляво, за да изберете правилното меню (от А1 до А9, по-долу ще намерите таблица със съответности).
- Натиснете конфигуратора на тегло, за да изберете теглото или порциите.
- Натиснете пусковия бутон, за да задействате програмата.

Меню	Тегло/ Количество
A1 Картофи	1-3 порции
A2 Мляко/Кафе/Течност	1-3 чаши (200 мл)

A3 Пуканки	99 g
A4 Притопляне	200 – 800 г
A5 Макаронени изделия	100 г (450 мл вода)
	200 г (800 мл вода)
	300 г (1200 мл вода)
A6 Пица	150 – 450 г
A7 Пилешко	800 – 1400 г
A8 Сладкиши	475 г
A9 Размразяване	Направете справка със съответния раздел в упътването

БЕЛЕЖКА: За режим „7“ фурната ще спре по средата на готвенето, за да обърнете храната. След като сторите това затворете вратата и натиснете пусковия бутон, за да подновите готвенето.

БЕЛЕЖКА: Резултатът от автоменюто зависи от много фактори. Ако резултатът не Ви удовлетвори напълно, настройте времето за готвене.

След приключване на работата с уреда:

- ◆ Почистете уреда.

ПОЧИСТВАНЕ

- ◆ Преди почистване изключете уреда от захранващата мрежа и го оставете да изстине.
- ◆ Почистете уреда с влажна кърпа, напоена с няколко капки миещ препарат, след което го подсушете.
- ◆ За почистването на уреда не използвайте разтворители и препарати с киселинен или основен рН фактор, като белина и абразивни продукти.
- ◆ Не допускайте проникването на вода през вентилационните отвори; в противен случай може да предизвикате повреда на работните части във вътрешността на уреда.
- ◆ Не потапяйте уреда във вода или друга течност, и не го поставяйте под течаща вода.

- ♦ Изтеглете стъкления поднос и въртеливия пръстен, за да ги почистите. Изперете ги със гореща сапунена вода или в съдомиялната машина. Поставете ги отново в правилно положение.
- ♦ Препоръчително е да почиствате ел. уреда редовно и напълно да отстранявате остатъците от храна.

НЕИЗПРАВНОСТИ И РЕМОНТ

- ♦ В случай на неизправност, моля отнесете уреда в оторизиран сервиз за техническо обслужване. Моля не се опитвайте да разглобявате уреда или пък да го поправяте—това е опасно.

За разновидностите EU на това изделие и/или в случая, приложим за Вашата страна:

Опазване на околната среда и рециклиране на изделието.

- ♦ Материалите, от които изработена опаковката на този електроуред са включени в системата за тяхното събиране, класифициране и рециклиране. Ако желаете да се освободите от тях, използвайте обществените контейнери, пригодени за всеки отделен вид материал.
- ♦ В изделието отсъстват концентрации на вещества, които могат да бъдат определени като вредни за околната среда.



Този символ означава, че ако желаете да се освободите от уреда след изтичане на експлоатационния му живот трябва да го предадете по подходящ начин на фирма за преработка на отпадъци, оторизирана за разделно събиране на относно отпадъци от електрическо и електронно оборудване (ОЕЕО).

Настоящият уред изпълнява Директива 2014/35/EU за ниски напрежения, Директива 2014/30/EU за електромагнитно съответствие и с Директива 2011/65/EU за ограниченията при употреба на някои определени опасни вещества в електрически и електронни апарати и с Директива 2009/125/EC за изискванията за екологичен дизайн, приложими към изделия, свързани с енергия.

ГАРАНЦИЯ И ТЕХНИЧЕСКО ОБСЛУЖВАНЕ

Настоящият продукт има законна гаранция, в съответствие с действащото законодателство. За да упражните правата си на потребител следва да се насочите към някой от нашите сервизи.

Най-близкия от тях можете да намерите на следния адрес: <http://www.2helpu.com/>

Също така можете да потърсите всякаква свързана с продукта информация, като се свържете с нас на (Вижте последната страница на настоящия наръчник).

Наръчника с указания и неговите осъвременявания можете да свалите на следния <http://www.2helpu.com/>.

België/Belgique	Stanley Black & Decker Belgium BVBA Egide Walschaertsstraat 16 2800 Mechelen	www.blackanddecker.be enduser.BE@SBDinc.com Tel - NL. +32 15 47 37 65 Tel – FR. +32 15 47 37 66
Bulgaria	Stanley Black&Decker Polska Bucharest Branch Phoenicia Business Center Turturelelor Street, No 11A, 6th Floor,Module 15, 3rd District. Bucharest (Romania)	office.bucharest@sbdinc.com Tel. +4021.320.61.04.
Česká Republika	Stanley Black & Decker Czech Republic s.r.o. Chodov Türkova 2319/5b 149 00 Praha 4 Česká Republika	www.blackanddecker.cz recepce@blackanddecker.cz Tel: 261 009 782
Danmark	Stanley Black & Decker Denmark Roskildevej 22 2620 Albertslund	www.blackanddecker.dk kundeservice.dk@sbdinc.com Tel. 70 20 15 10 Fax. 70 22 49 10
Deutschland	Stanley Black & Decker Deutschland GmbH Black & Decker Str. 40, D - 65510 Idstein	www.blackanddecker.de infobfge@sbdinc.com Tel. 06126 21-0 Fax 06126 21-2980
Ελλάδα	Black & Decker ΕΛΛΑΣ ΕΔΡΑ-ΓΡΑΦΕΙΑ : Σπράβωνος 7 & Λ. Βουλιαγμένης. 166 74 Γλυφάδα - Αθήνα SERVICE : Ημερος Τόπος 2 (Χάνι Αδάμ) - 193 00 Ασπρόπυργος	www.blackanddecker.gr Greece.Service@sbdinc.com Τηλ: 00302108981616 Φαξ: 00302108983570
España	Engineering and Technology for Life Spain Avenida Barcelona s/n 25790 Oliana (Lleida)	www.blackanddecker.es service.spain@etforlife.com
France	Engineering and Technology for Life France 6 rue de l'Industrie Z.I des Sablons 89100 Sens	www.blackanddecker.fr service.france@etforlife.com
Helvetia	ROFO AG Gewerbezone Seeblick 3213 Kleinbösingen	www.blackanddecker.ch service@rofoag.ch Tel. 026 674 93 93 Fax 026 674 93 94
Hungary	Stanley Black & Decker Hungary Kft. Meszaros u. 58/B 1016 Budapest (Hungary)	www.blackanddecker.hu Tel: 1.6 225-1661 / 62
Italia	Stanley Black & Decker Italia Via Energy park 6 c/o Energy park Building 3 sud 20871 Vimercate (MB)	www.blackanddecker.it service.italia@blackdecker.com Tel. 800-213935 Fax 039-9590313
Nederland	Stanley Black & Decker Netherlands BV Holtum Noordweg 35 6121 RE BORN Postbus 83. 6120 AB BORN	www.blackanddecker.nl enduser.NL@SBDinc.com Tel. +31 164 283 065 Fax +31 164 283 200
Norge	Stanley Black & Decker Norway AS Gullhaugveien 11, 0484 Oslo PB 4613, Nydalen, 0405 Oslo	www.blackanddecker.no kundeservice.no@sbdinc.com Tlf. 22 90 99 10 Fax 45 25 08 00

Österreich	Stanley Black & Decker Austria GmbH Oberlaaerstraße 248, A-1230 Wien	www.blackanddecker.at service.austria@sbdinc.com Tel. 01 66116-0 Fax 01 66116-614
Polska	Stanley Black & Decker Polska SP.z.o.o ul. Postepu 21D 02-676 Warszawa Polska	www.blackanddecker.pl reception.warsaw@sbdinc.com Tel: 22 4642700
Portugal	Engineering and Technology for Life Portugal Avenida Rainha D. Amélia, nº12-B 1600-677 Lisboa	www.blackanddecker.pt service.portugal@etforlife.com
Romania	Stanley Black&Decker Polska Bucharest Branch Phoenicia Business Center Turturelelor Street, No 11A, 6th Floor,Module 15, 3rd District. Bucharest (Romania)	office.bucharest@sbdinc.com Tel. +4021.320.61.04.
Slovenija	G-M&M, proizvodnja in marketing, d.o.o. Brvace 11 1290 Grosuplje (Slovenija)	G-M&M, proizvodnja in marketing, d.o.o. Brvace 11 1290 Grosuplje (Slovenija)
Suomi	Stanley Black & Decker Finland Oy Kumpulantie 13B, 00520 Helsinki PL 47, 00521 Helsinki	www.blackanddecker.fi asiakaspalvelu.fi@sbdinc.com Puh. 010 400 43 33 Faksi 0800 411 340
Sverige	Stanley Black & Decker Sweden AB Flöjelbergsgatan 1c, 431 35 Mölndal Box 94, 431 22 Mölndal	www.blackanddecker.se kundservice.se@sbdinc.com Tel. 031-68 60 60 Fax 031-68 60 80
United Kingdom & Republic Of Ireland	"Black & Decker Slough, Berkshire SL1 3YD 210 Bath Road "	www.blackanddecker.co.uk emeaservice@sbdinc.com Tel. 01753 511234

ENGINEERING AND TECHNOLOGY FOR LIFE, S.L.
Avda. Barcelona s/n
Oliana, 25790, Spain