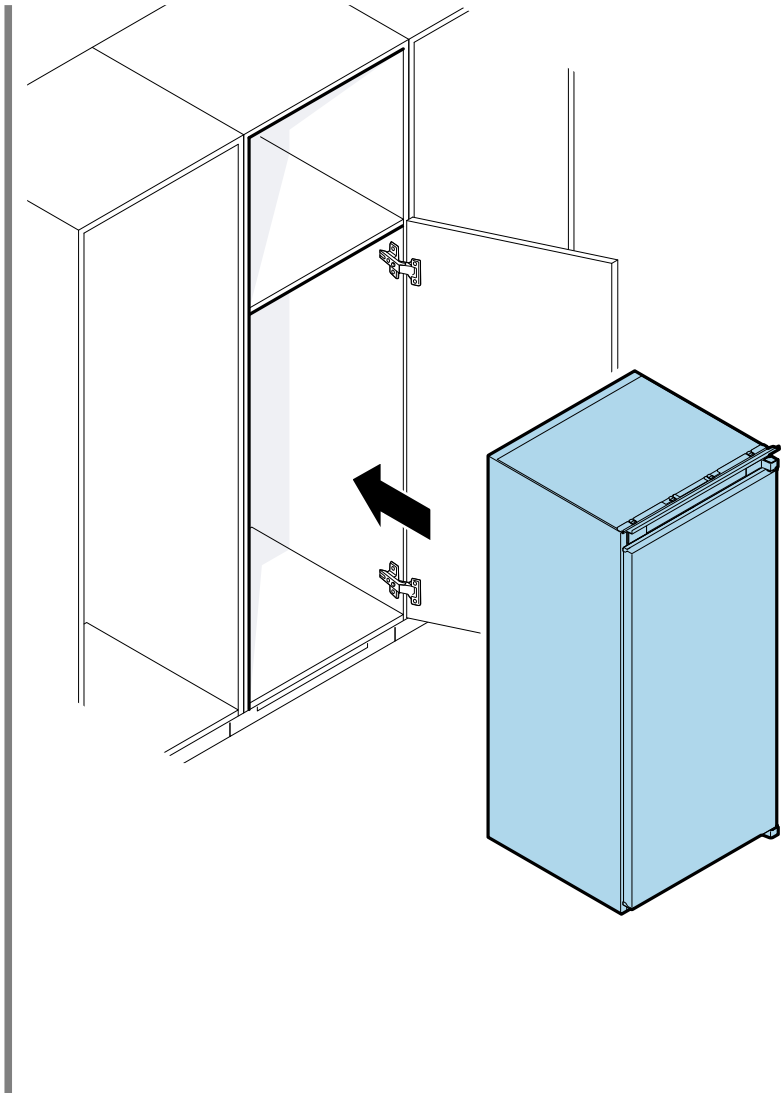


9001805555 (021108)



mm



2x



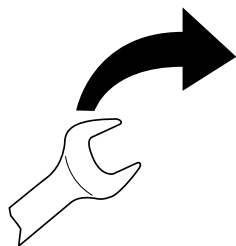
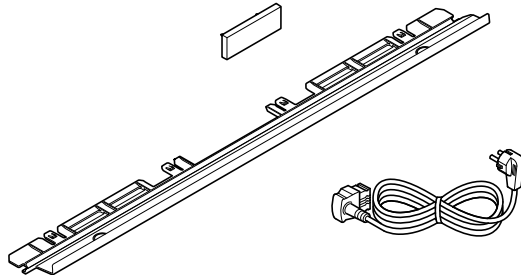
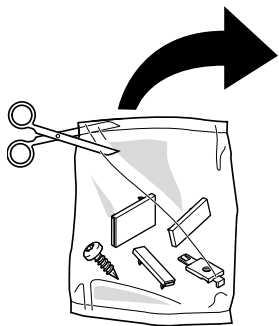
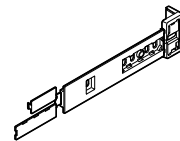
2x



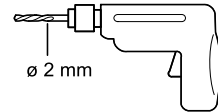
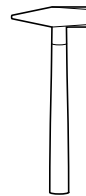
8x 4x15 T20



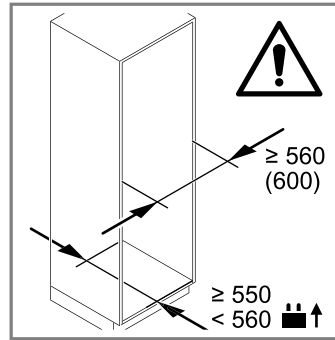
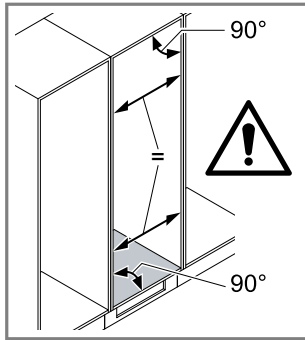
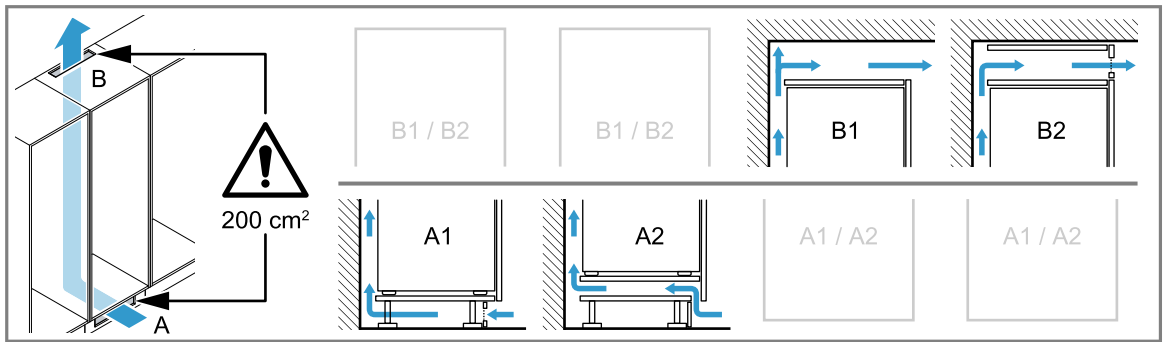
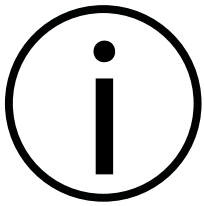
2x

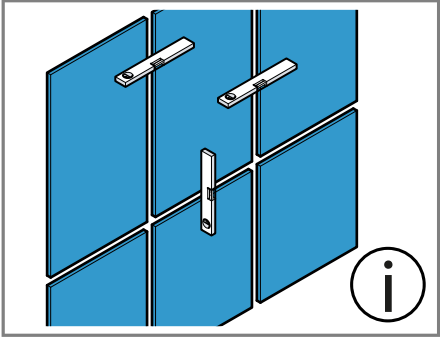
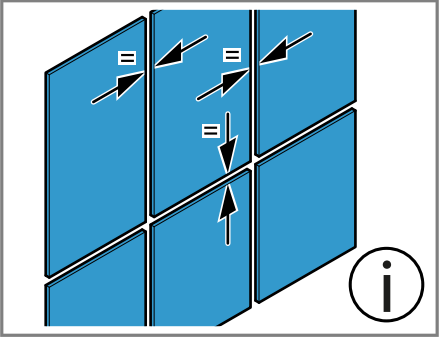
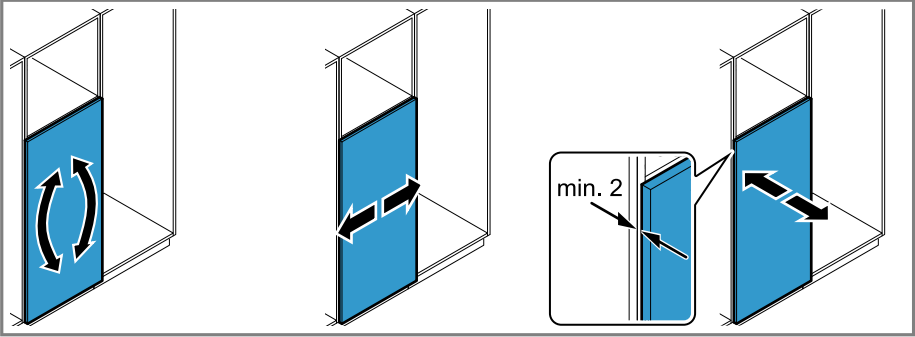
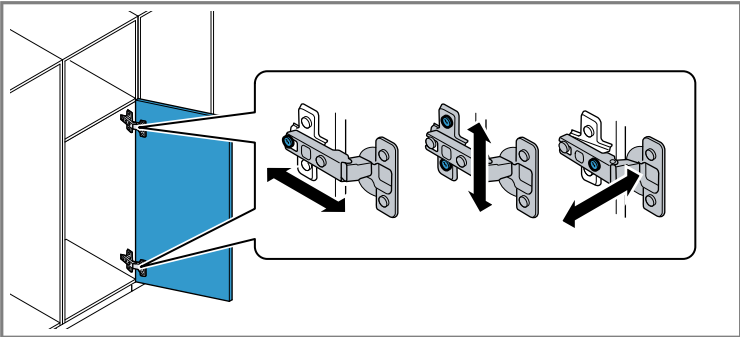


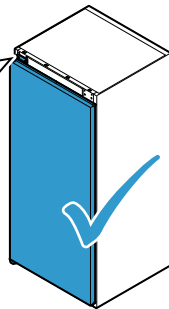
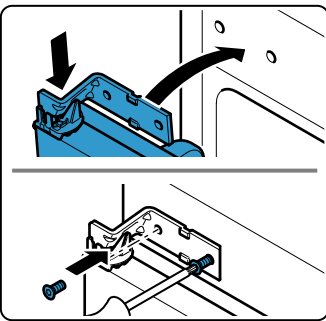
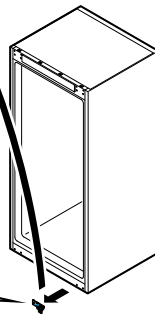
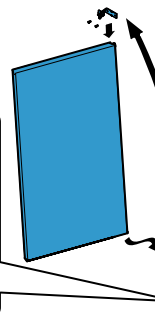
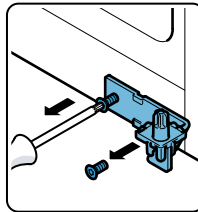
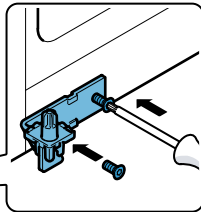
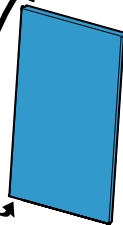
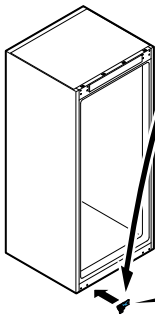
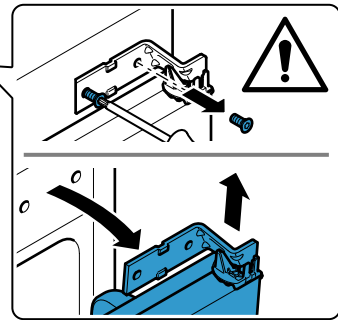
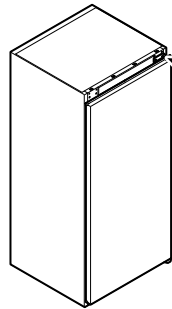
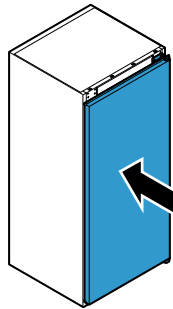
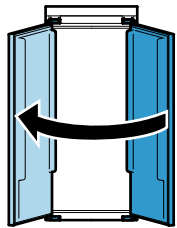
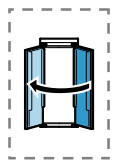
Torx
T 20



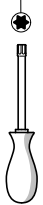
ø 2 mm

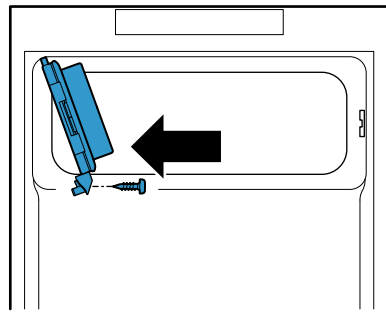
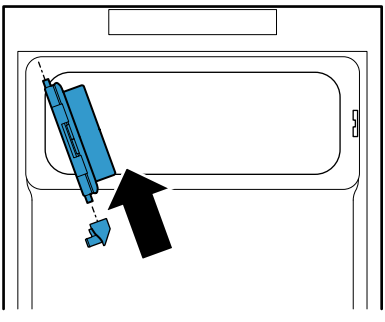
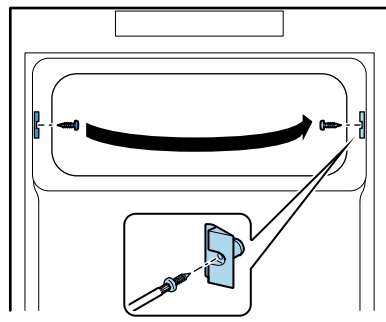
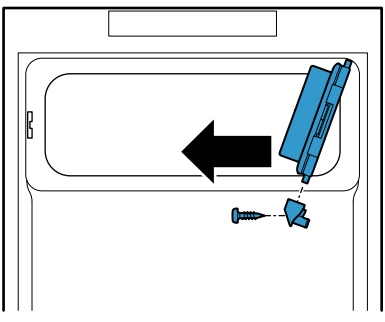
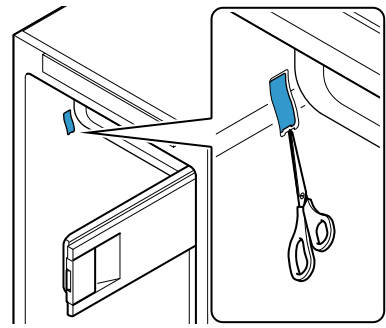
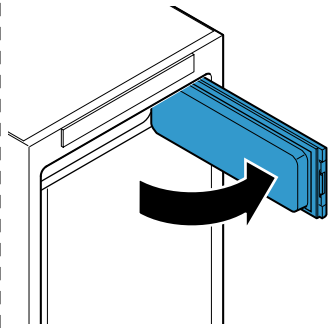




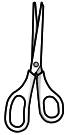
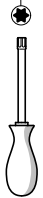


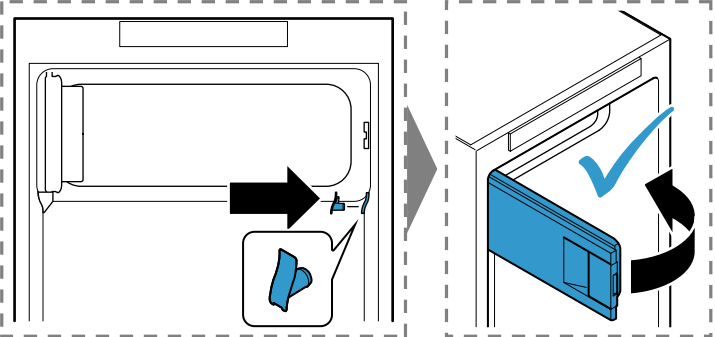
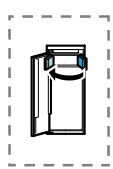
Torx
T 20

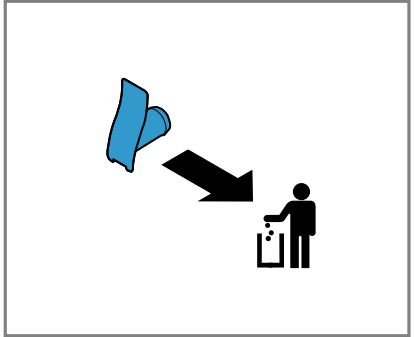
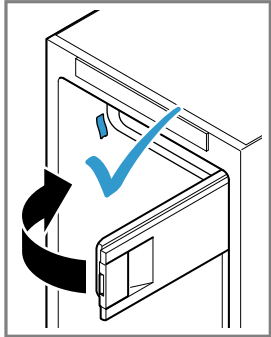
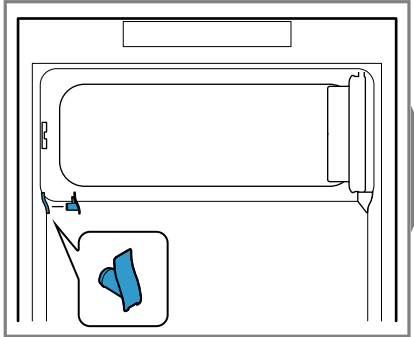
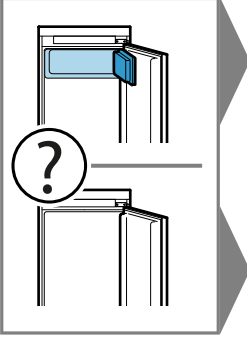




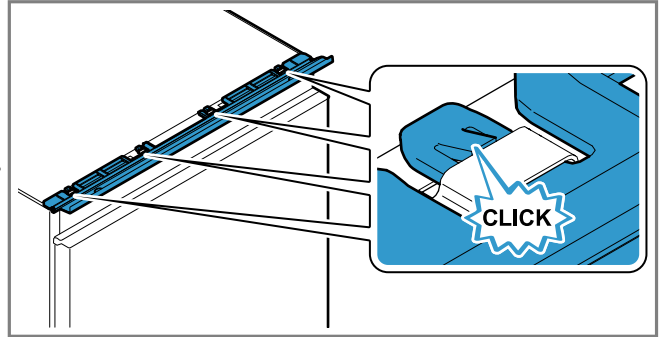
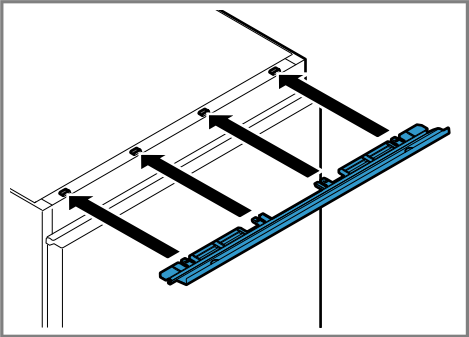
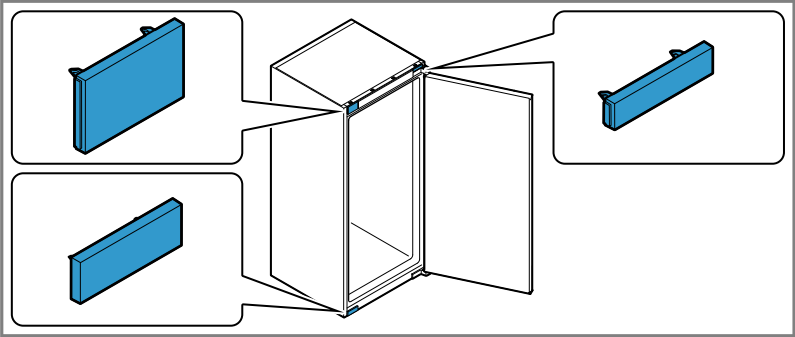
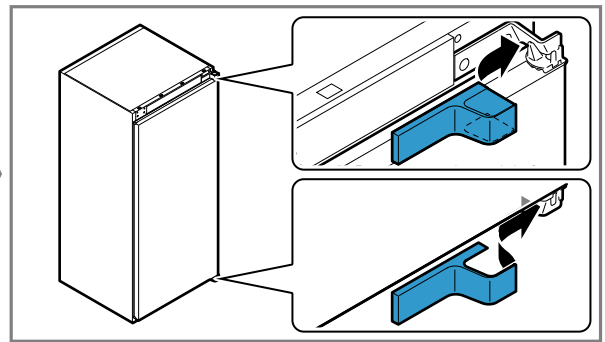
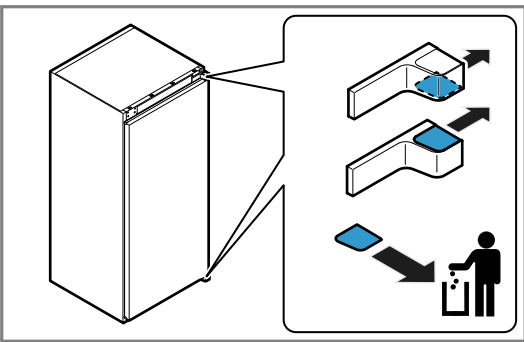
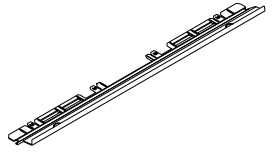
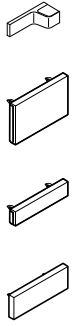
Torx
T 20

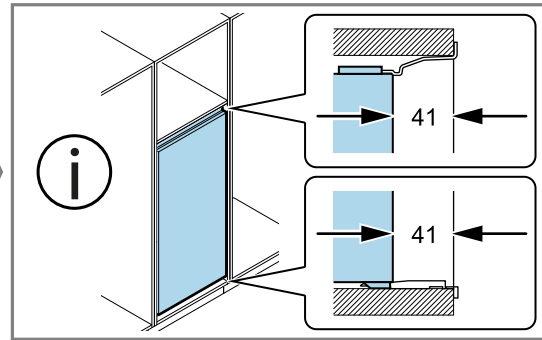
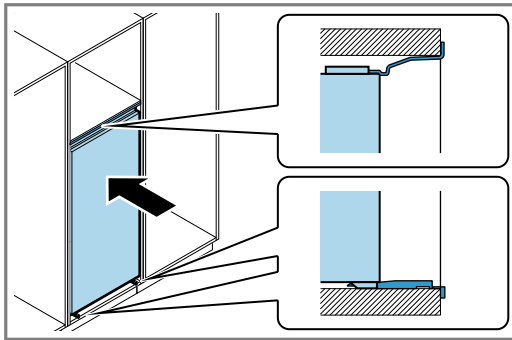
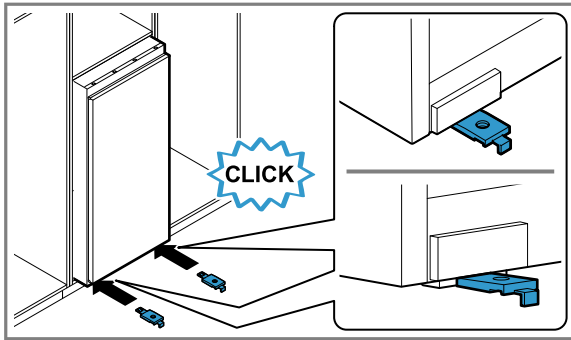
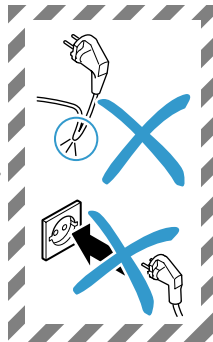
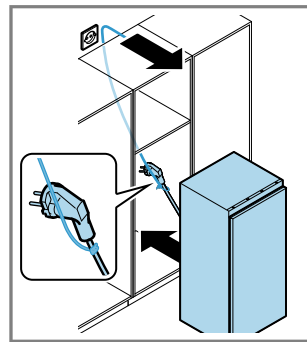
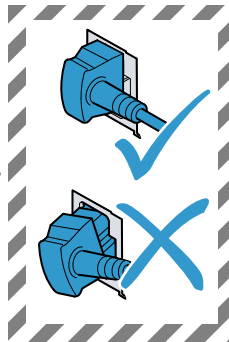
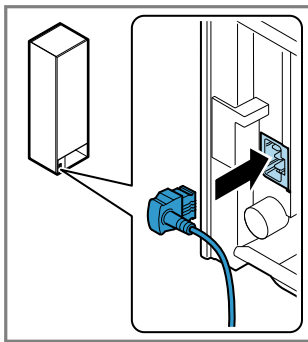
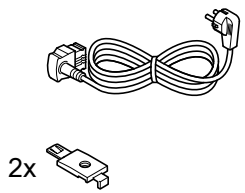




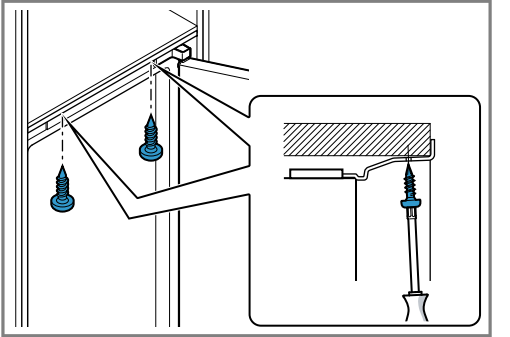
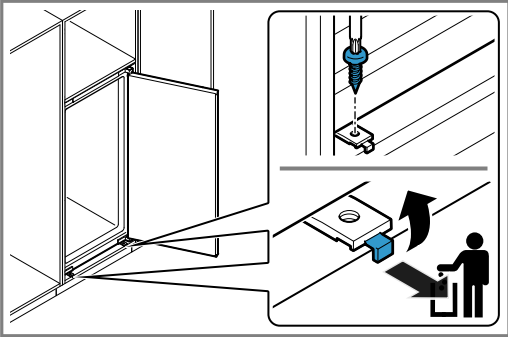
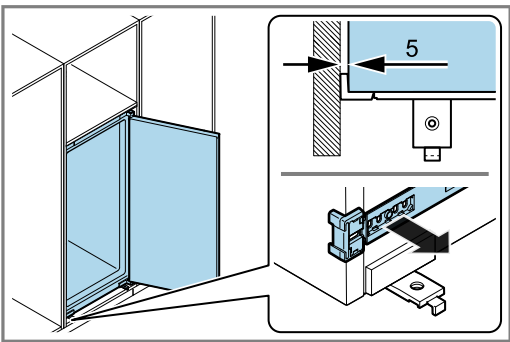
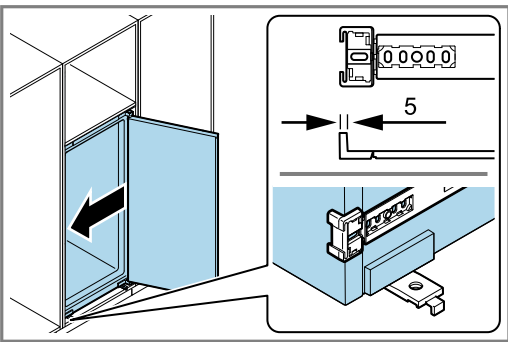


2x



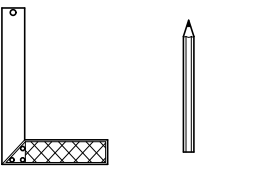
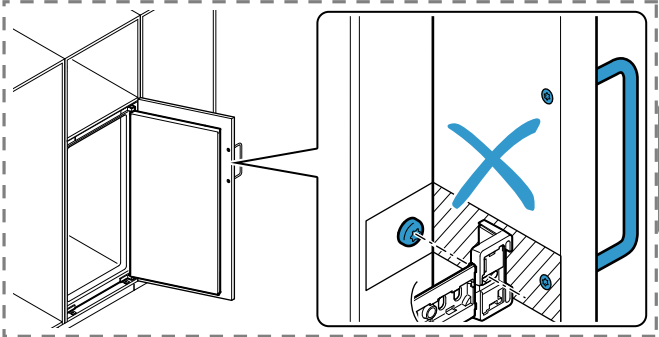
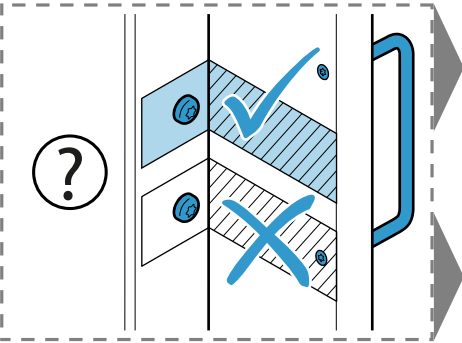
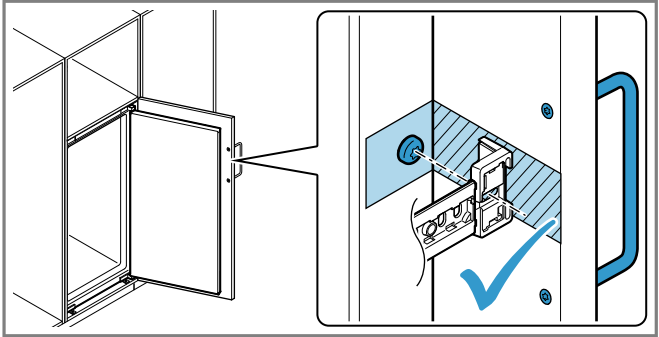
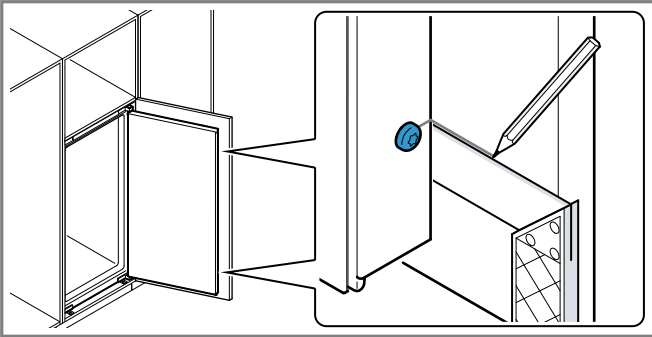
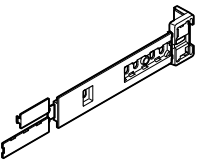


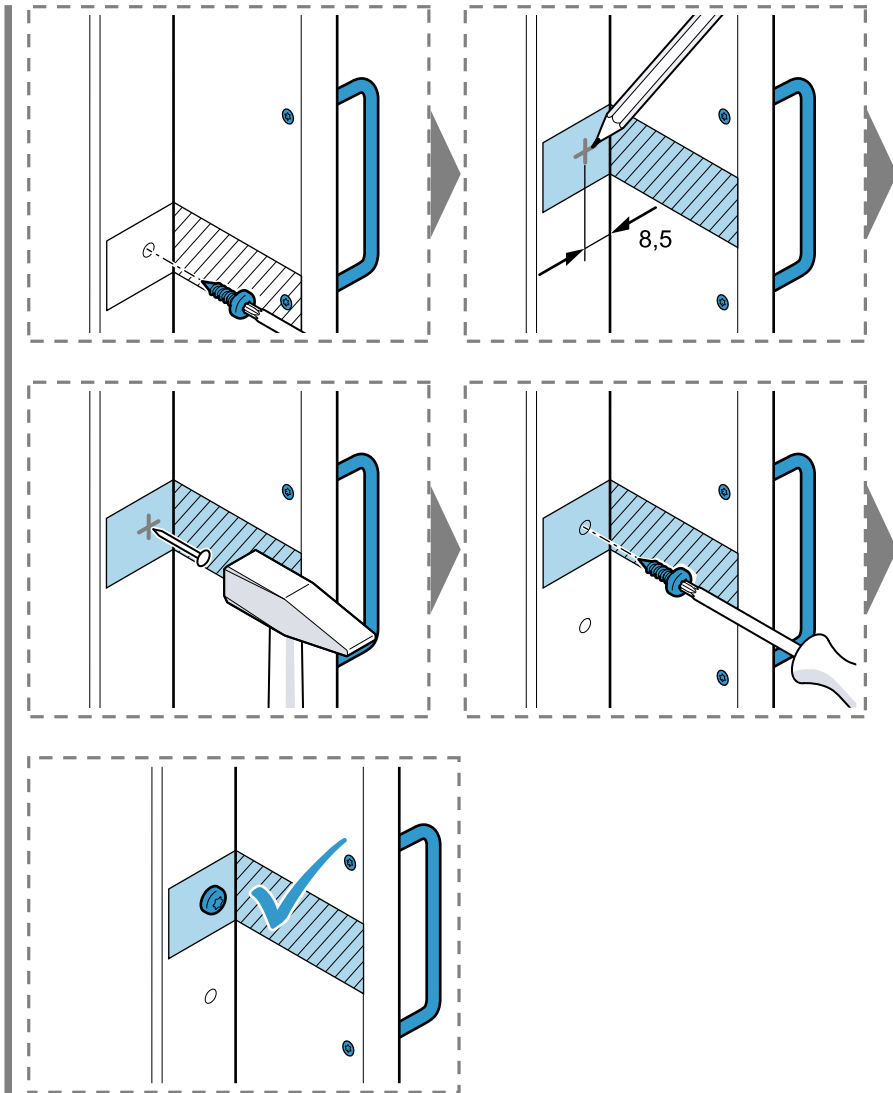
4x



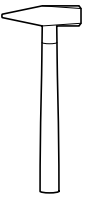
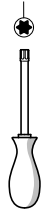
Torx
T 20

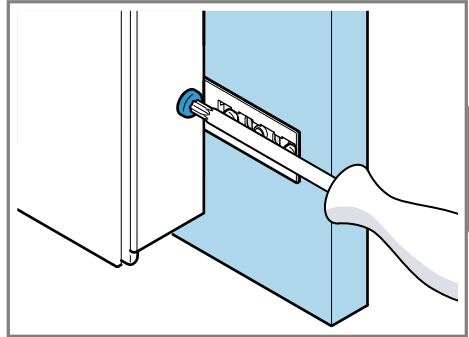
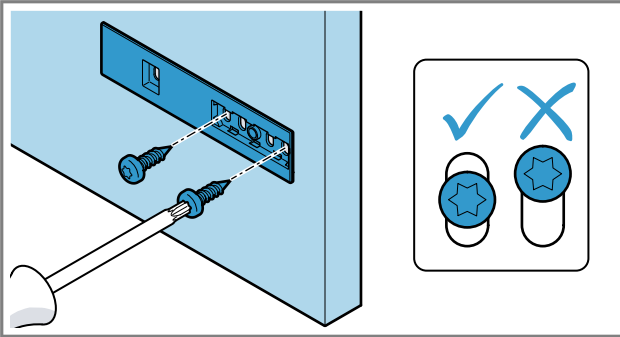
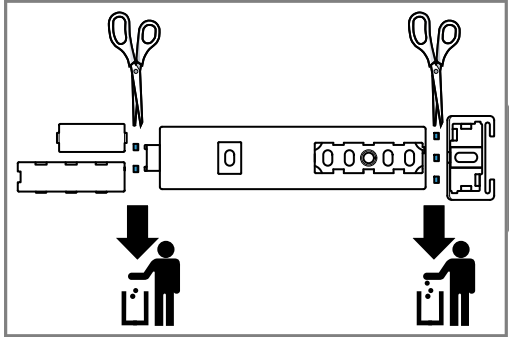
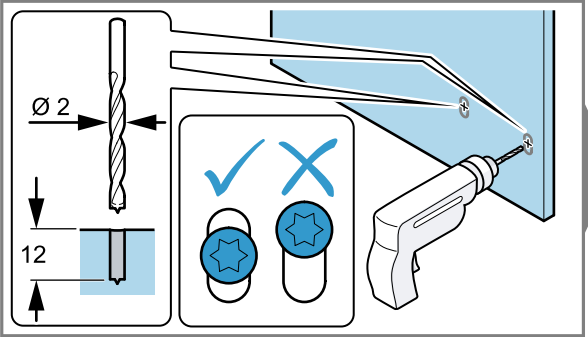
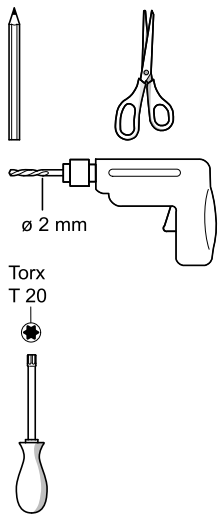
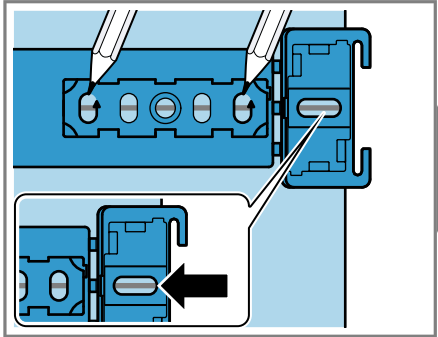
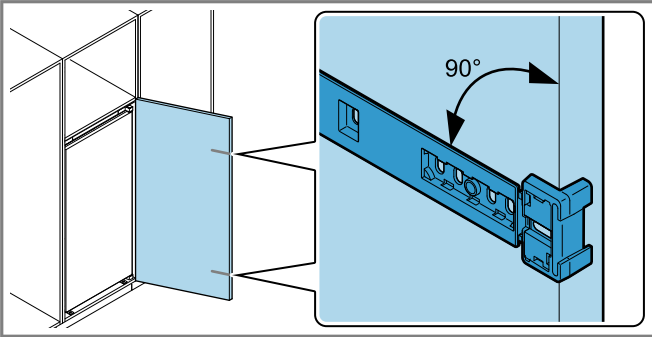
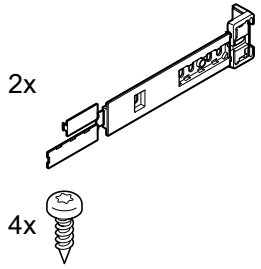




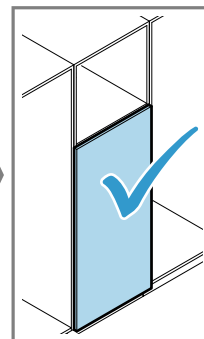
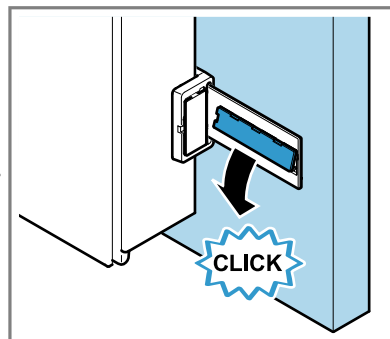
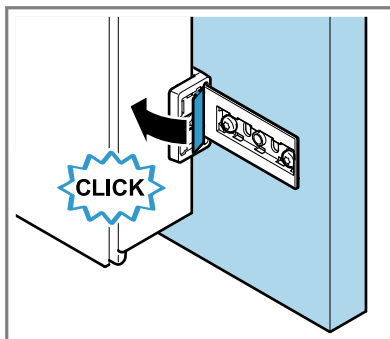
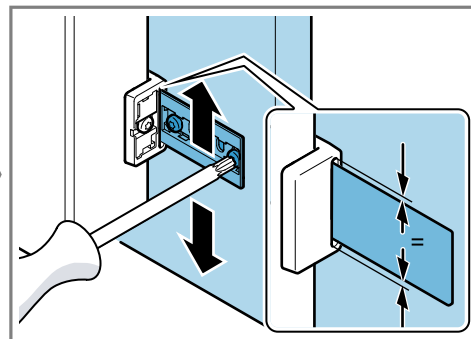
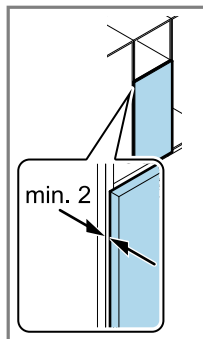
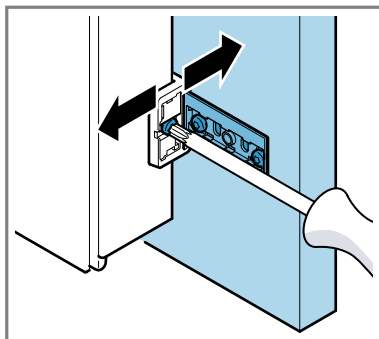
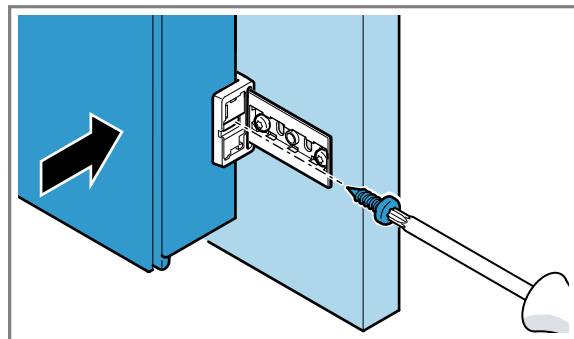
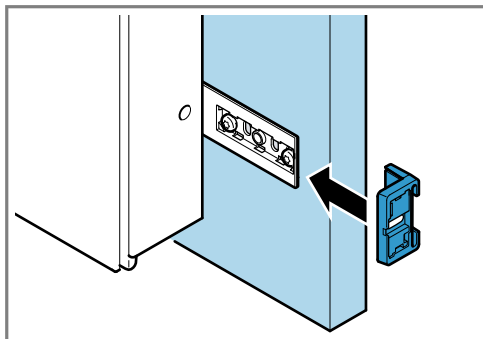
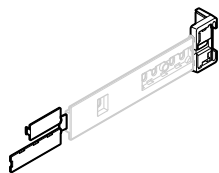


Torx
T 20

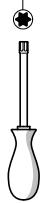


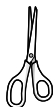
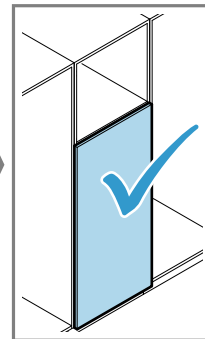
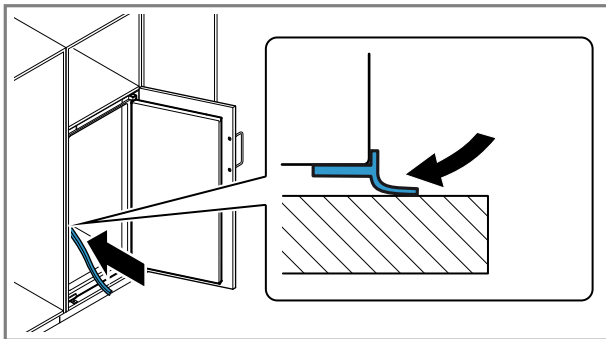
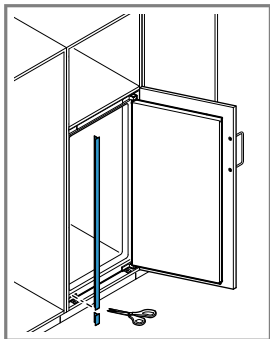


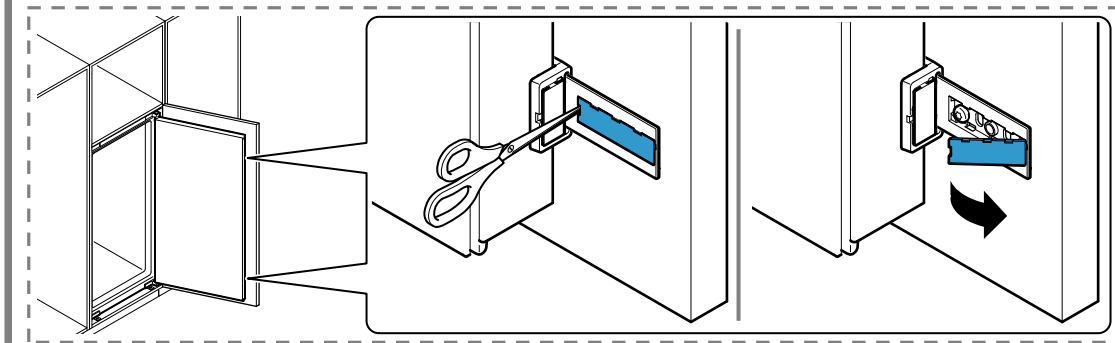
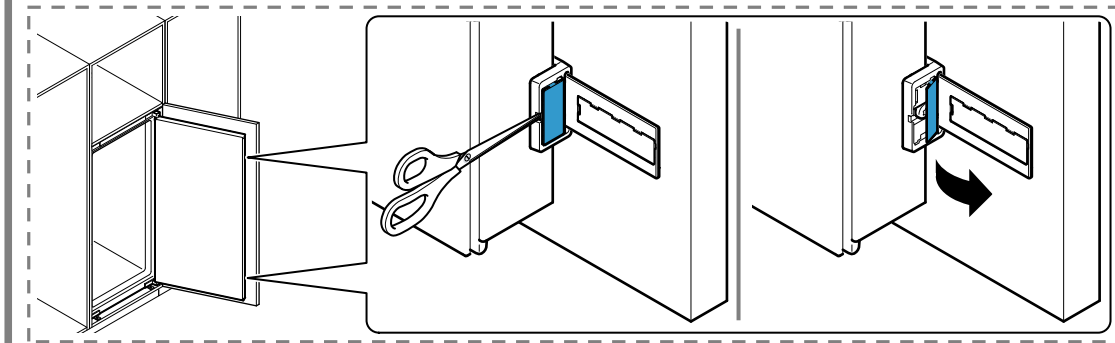
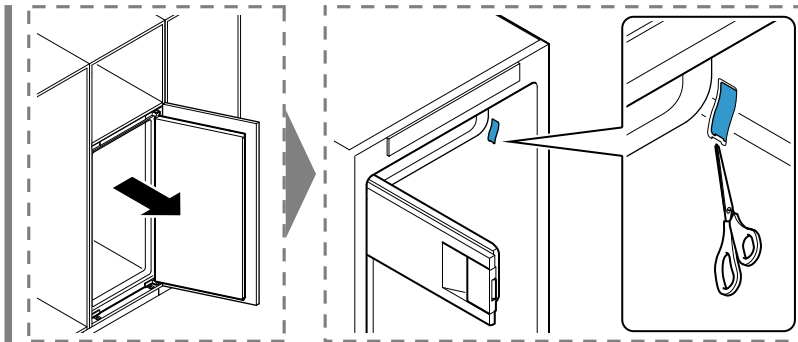
2x



Torx
T 20









A series of horizontal lines for writing, starting from the top and extending to the bottom of the page, with a vertical margin line on the left side.

