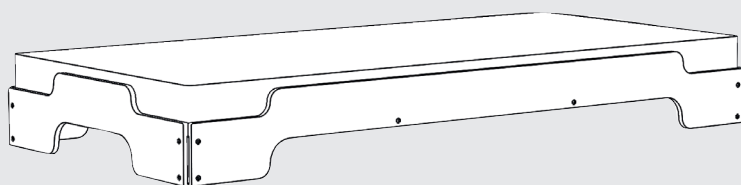


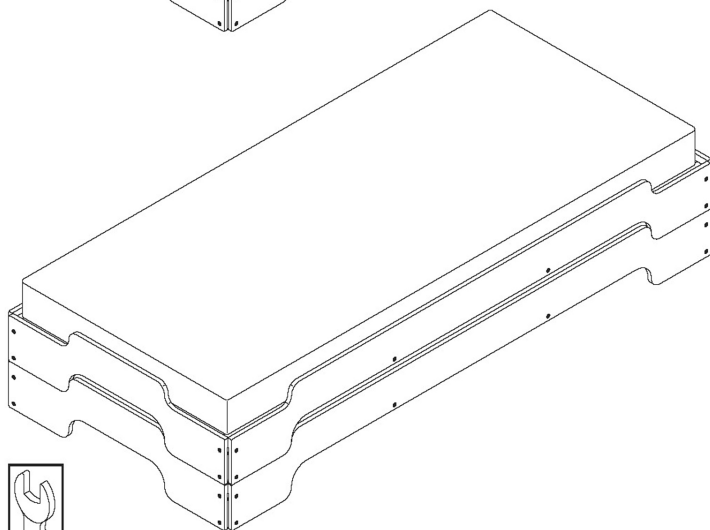
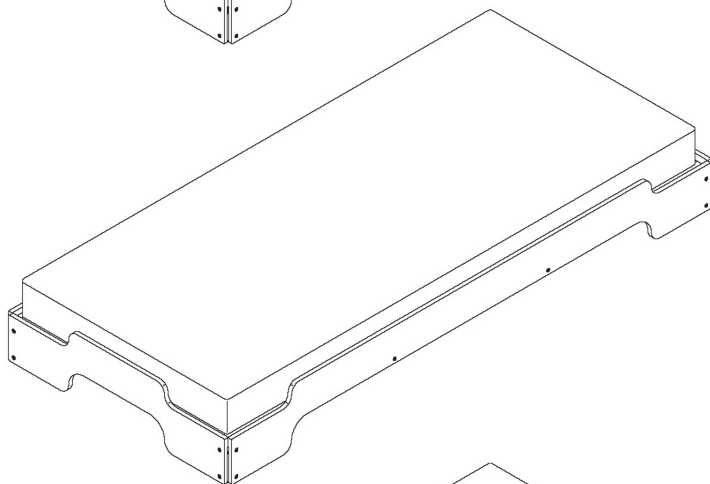
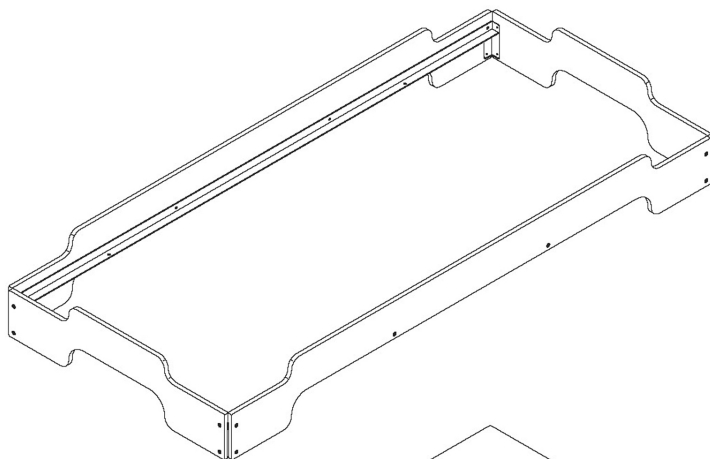
Stapelliege

Montage

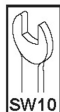
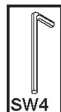


WWW.MUELLERMOEBEL.DE

Müller

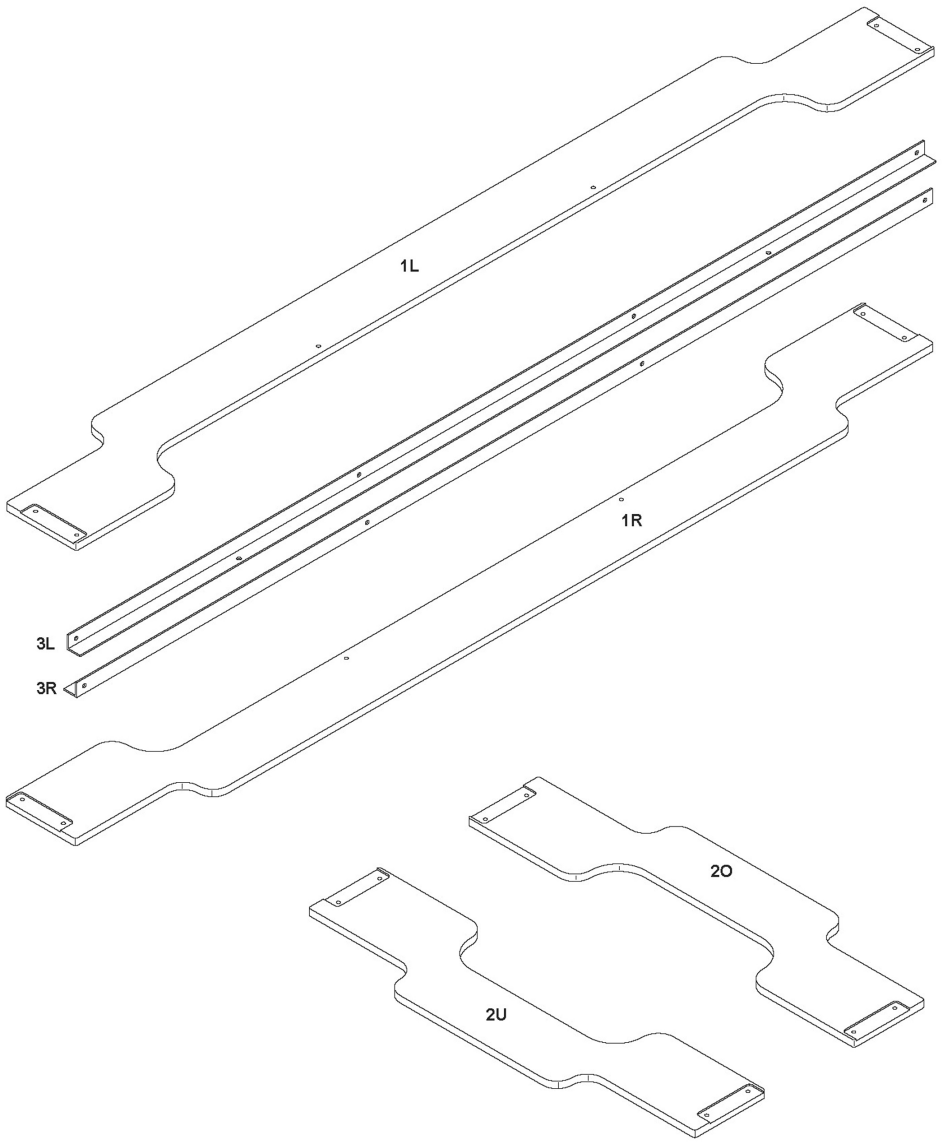






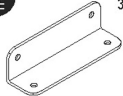
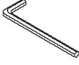
Stapellege 05.2014



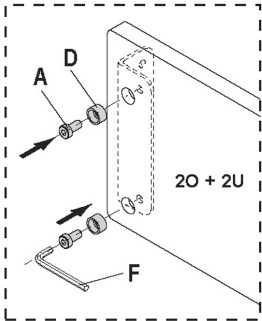
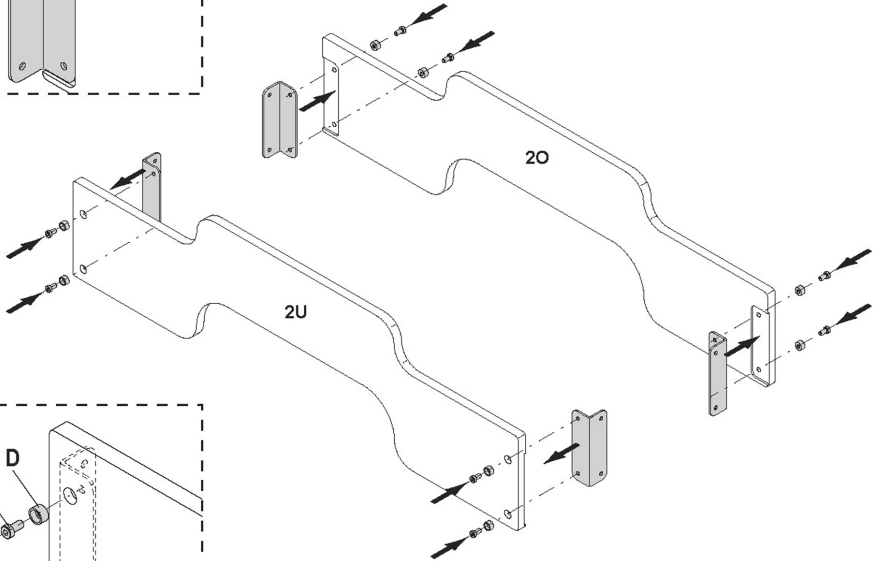
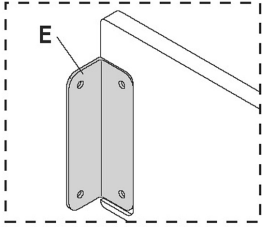
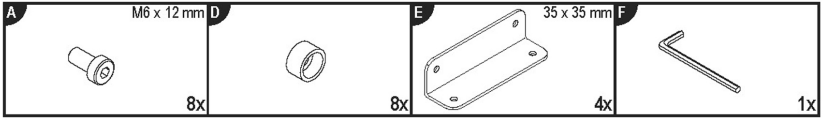
SW4

SW10

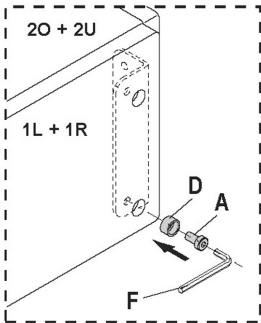
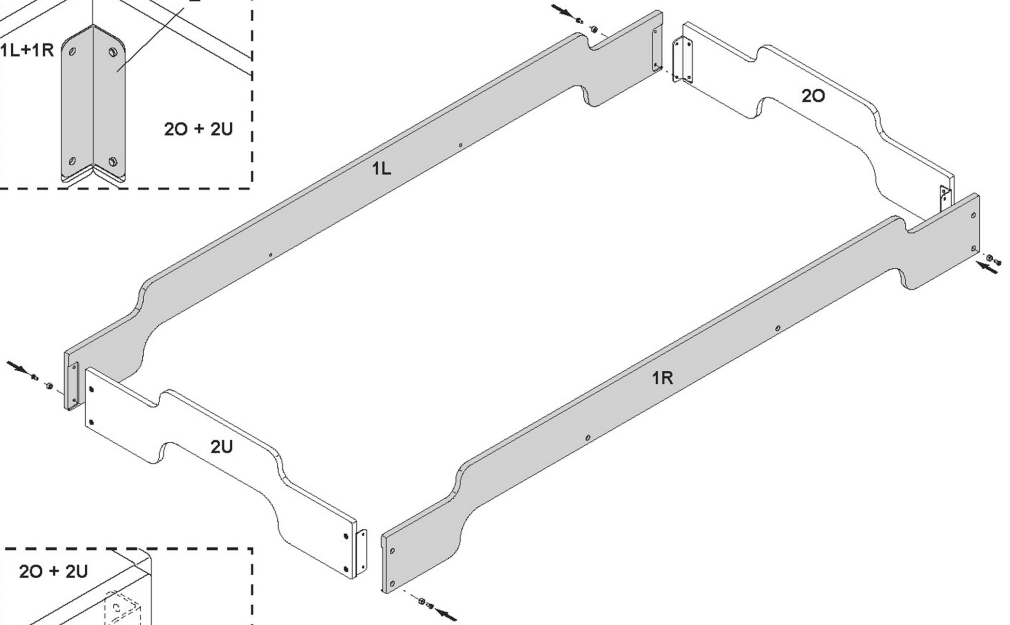
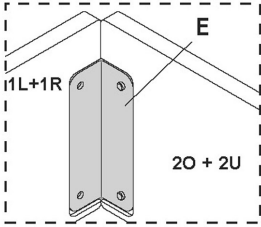
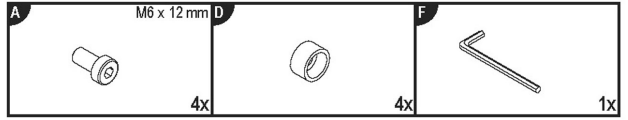


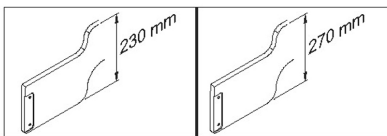
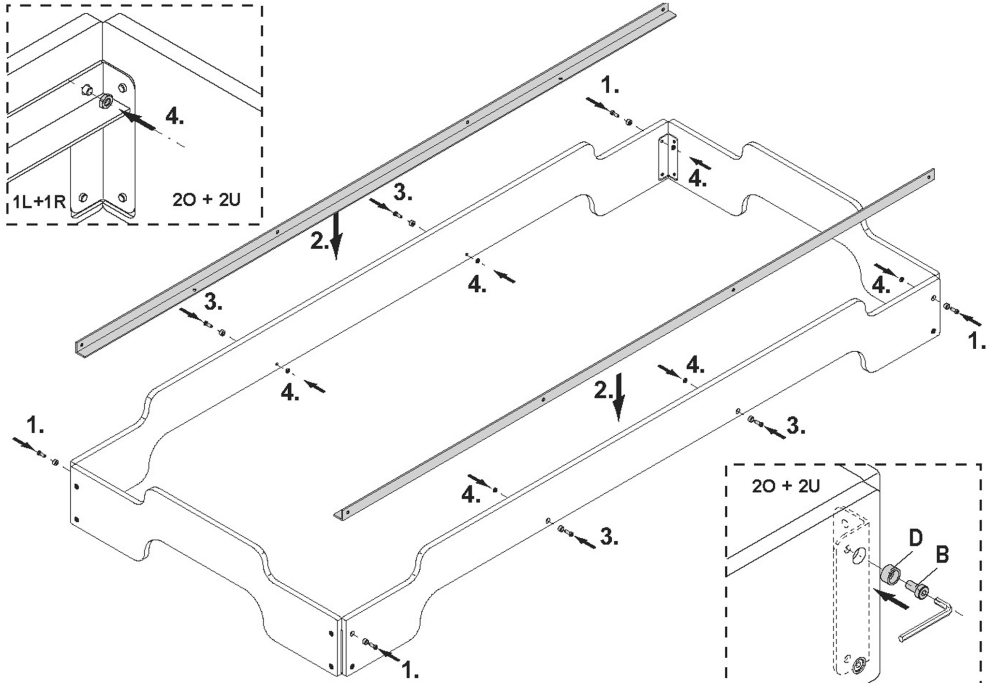
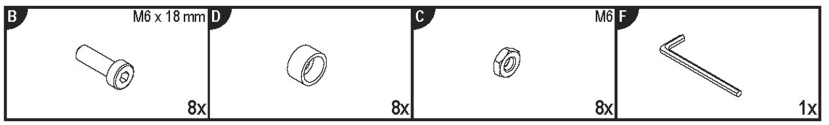
<p>A M6 x 12 mm</p>  <p>12x</p>	<p>B M6 x 18 mm</p>  <p>8x</p>	<p>C M6</p>  <p>8x</p>	<p>D M6</p>  <p>20x</p>	<p>E 35 x 35 mm</p>  <p>4x</p>
<p>F</p>  <p>1x</p>				

1



2





┌┐	C	35 mm	45 mm	C B A	
	B	160 mm	200 mm		
	A	130 mm	155 mm		
└└	C	35 mm	45 mm	C B A	
	B	185 mm	225 mm		
	A	100 mm	130 mm		
└└	C	60 mm	70 mm	C B A	
	B	160 mm	200 mm		
	A	100 mm	130 mm		
┌┐	C	60 mm	70 mm	C B A	
	B	135 mm	175 mm		
	A	130 mm	155 mm		

4

