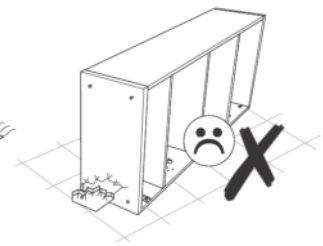
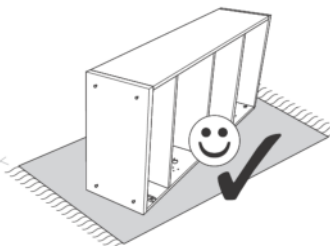
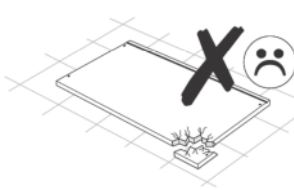
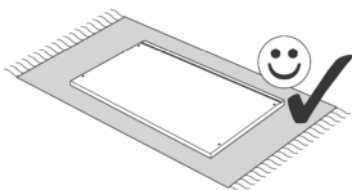
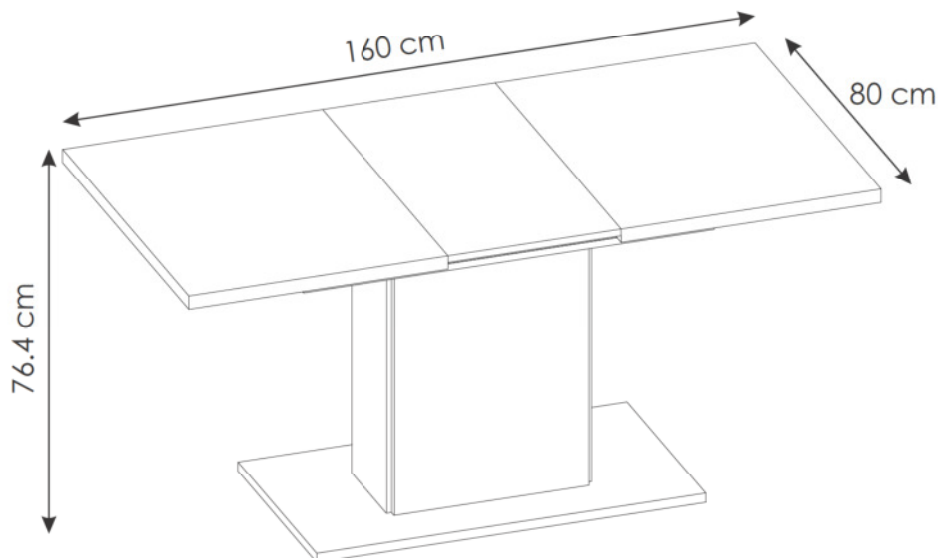
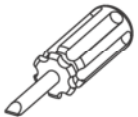
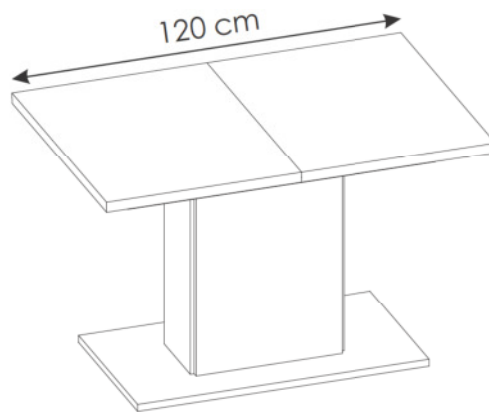
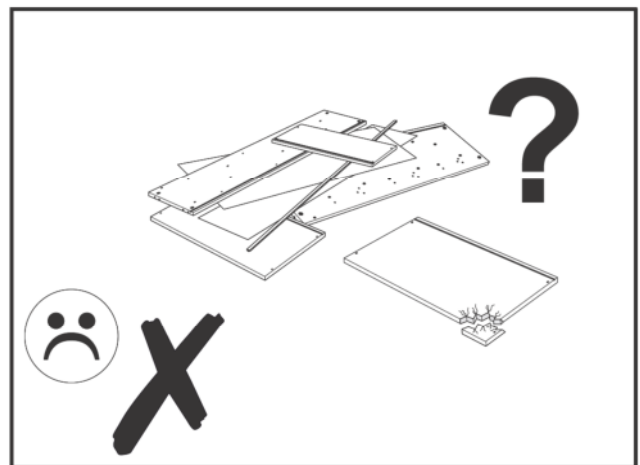
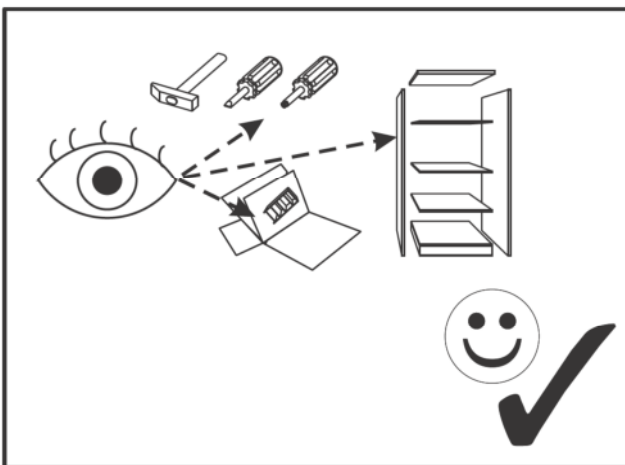
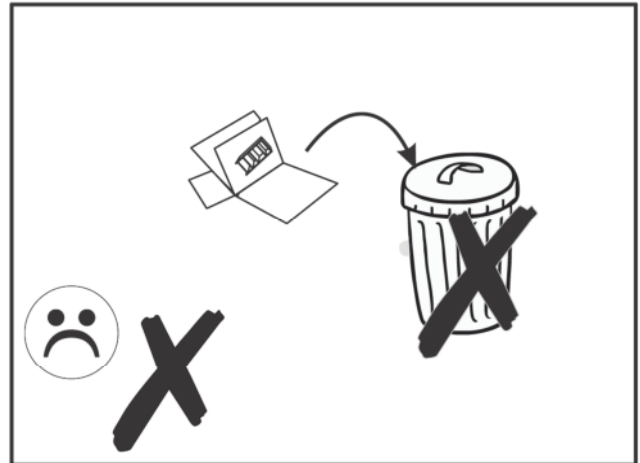
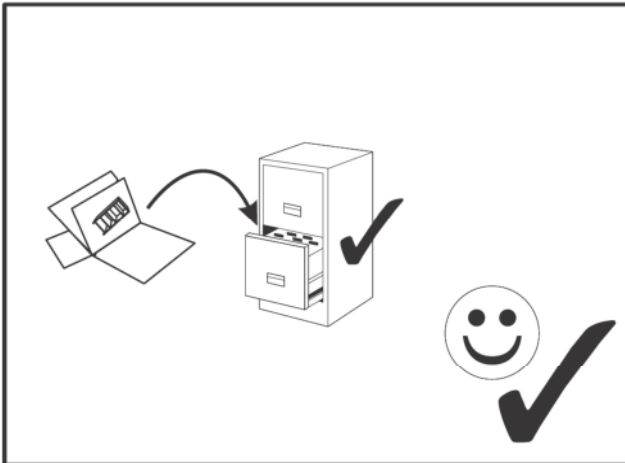
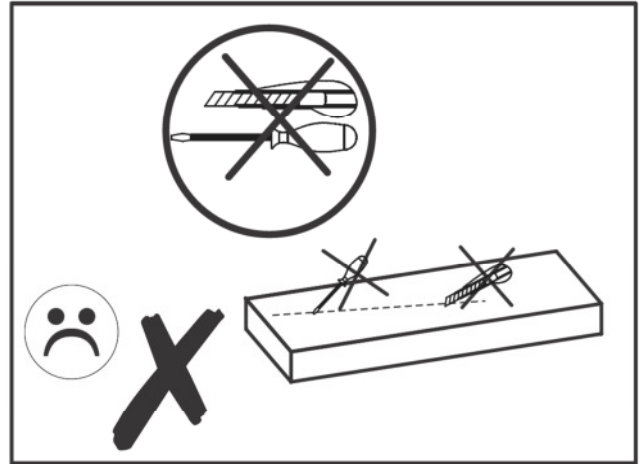
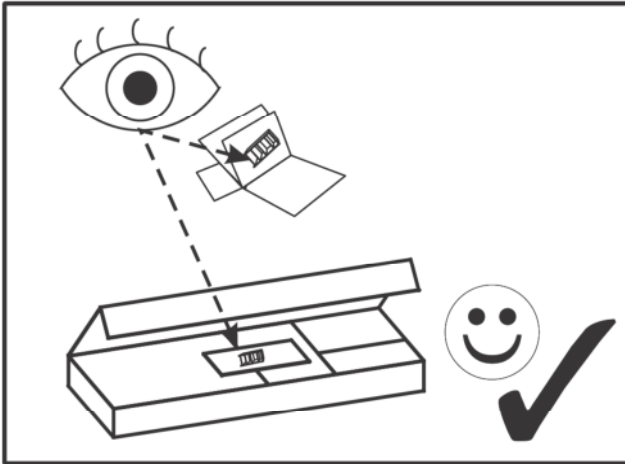


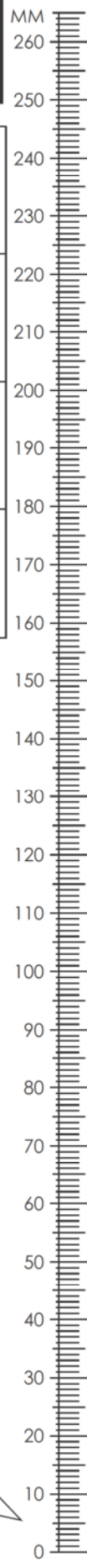
ARIANA / ARIANA II xxx-541






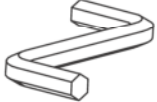



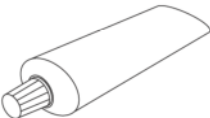


HELA Tische Möbel Vertriebs GmbH
Scheidkamp 14
D - 32584 Löhne

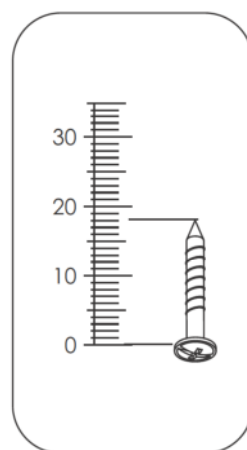




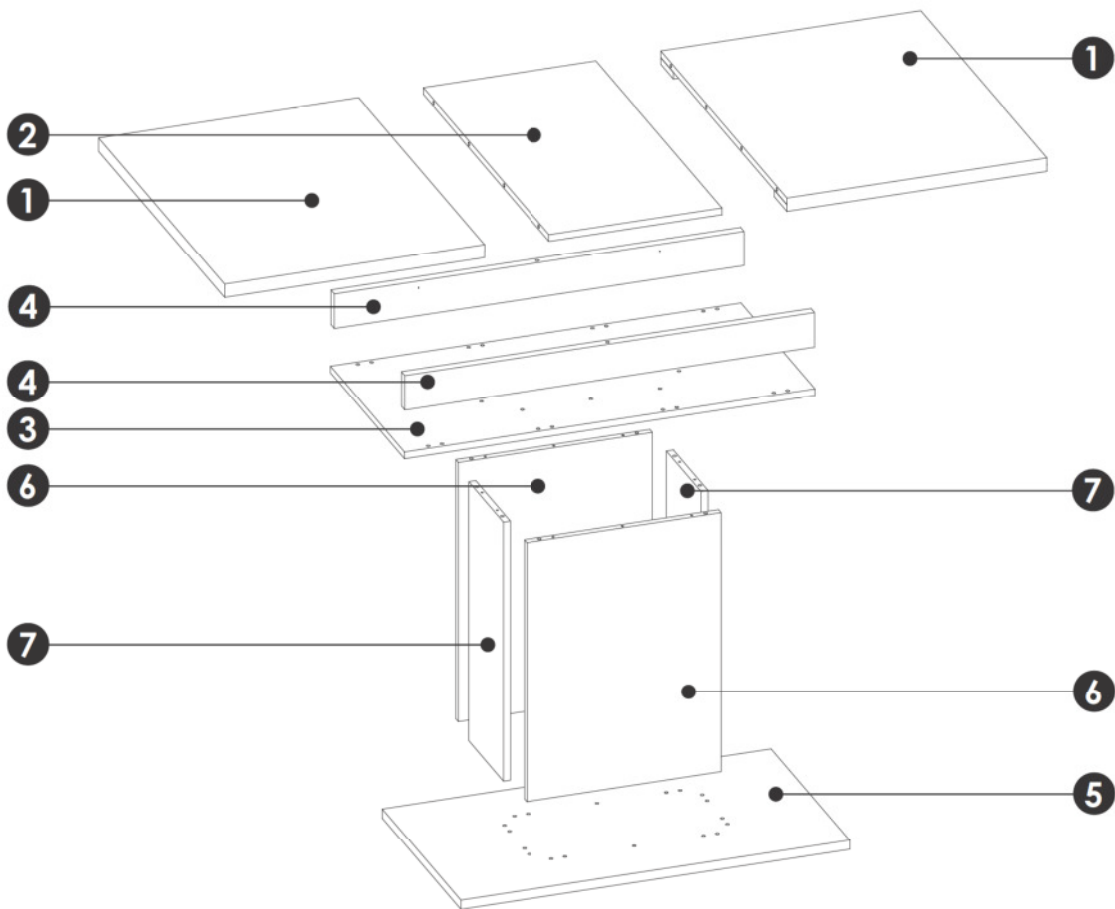
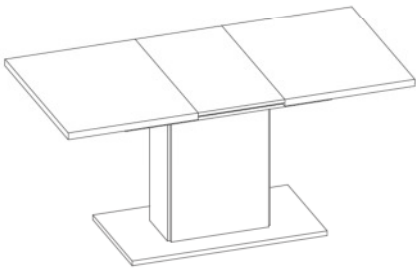
ARIANA / ARIANA II xxx-541



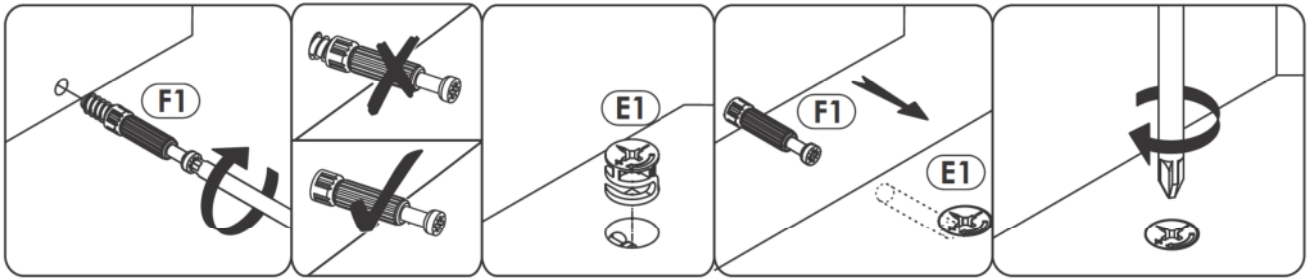
A1 8 x 35 mm x24 	G0  x18	G2 7 x 60 mm x28 
I3 4 x 20 mm x12 	I4 4 x 12 mm x24 	M  x1
O2  x6	O2A ø20  x8	R8  x10
S  x1	S19  x4	T12  x2



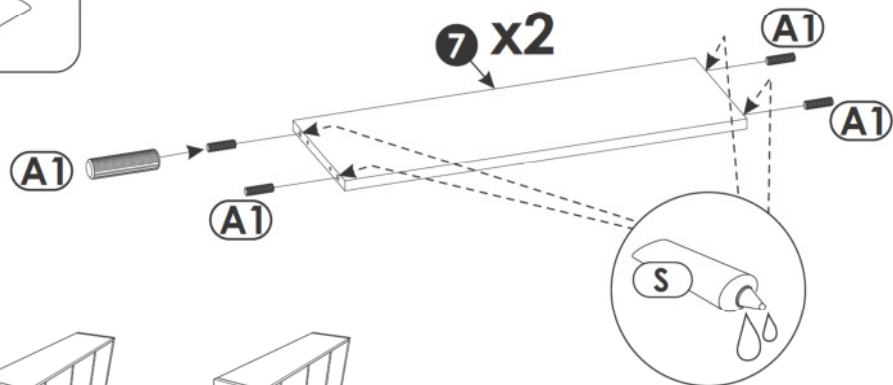
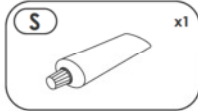
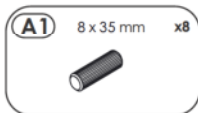
ARIANA / ARIANA II xxx-541



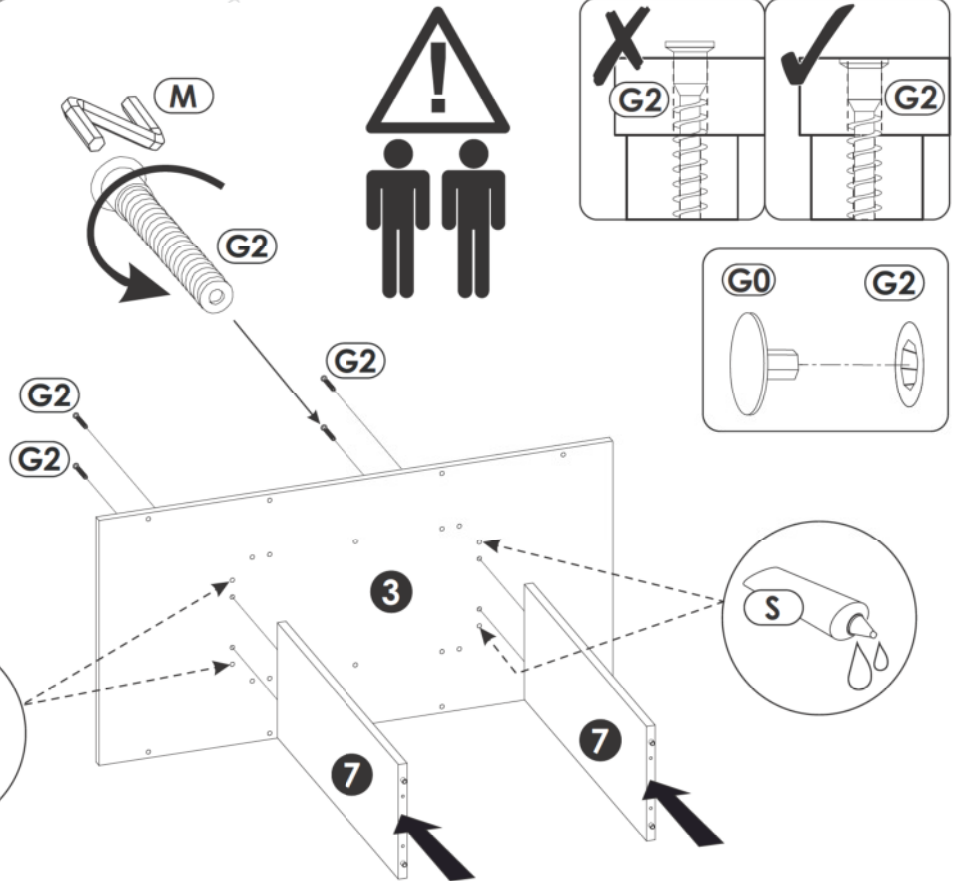
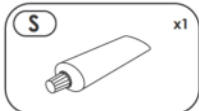
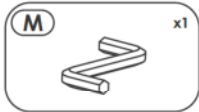
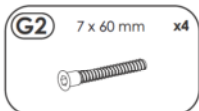
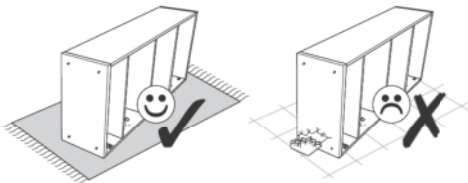
1	800	600	32	x2	2/2
2	800	400	16	x1	2/2
3	470	950	16	x1	1/2
4	83	948	22	x2	1/2
5	900	500	22	x1	1/2
6	620	450	16	x2	1/2
7	620	220	16	x2	1/2

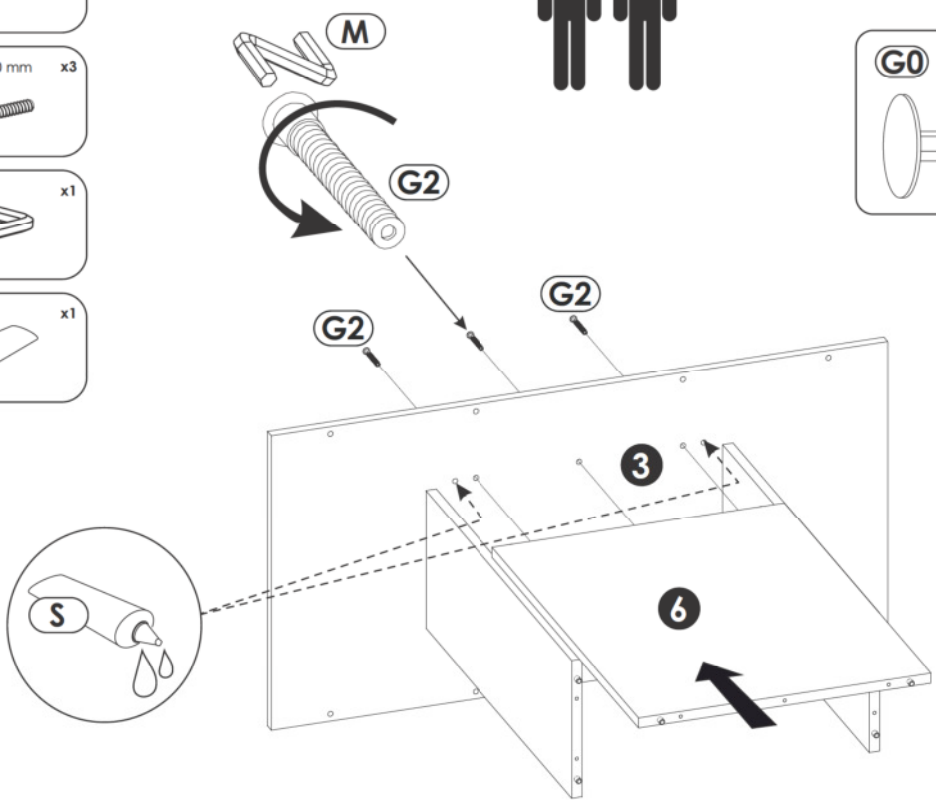
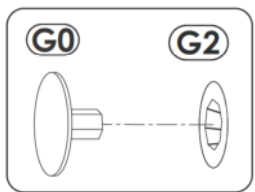
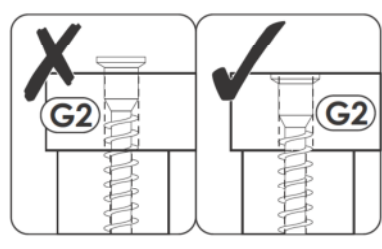
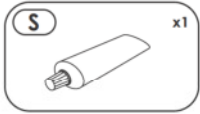
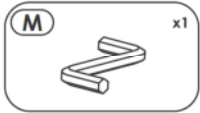
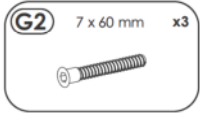
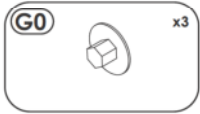
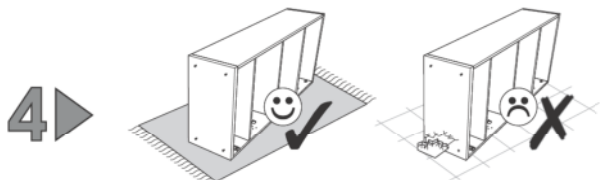
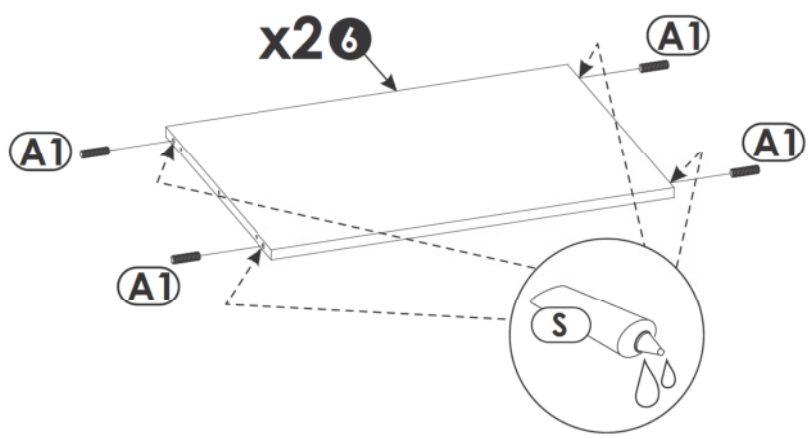
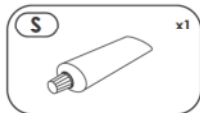
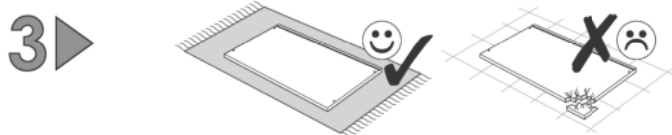


1 ▶

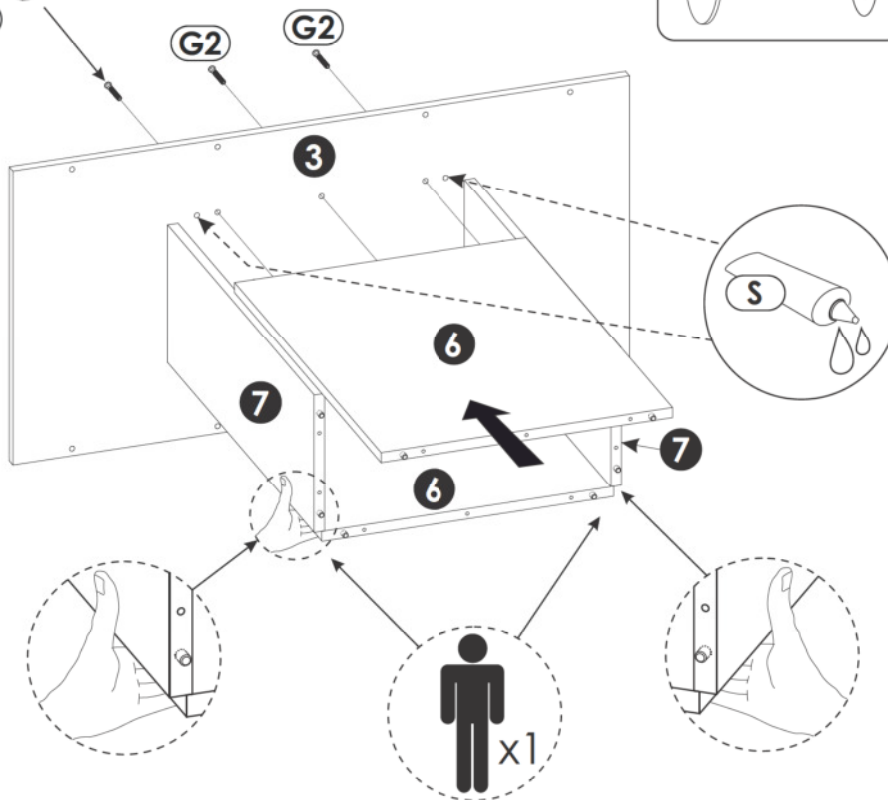
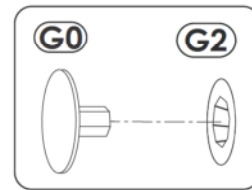
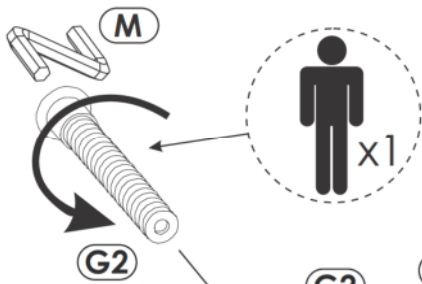
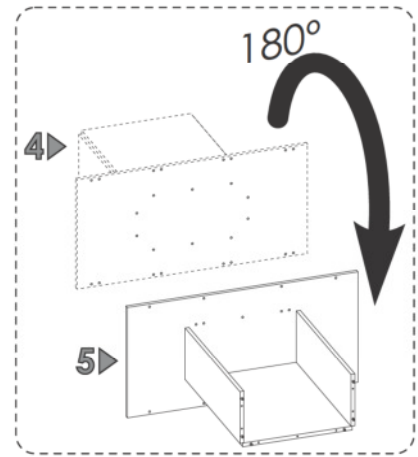
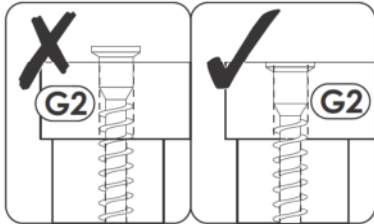
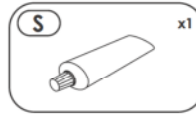
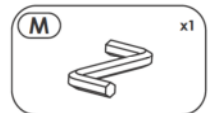
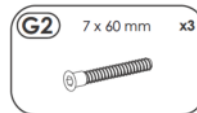
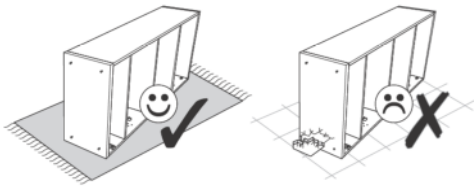


2 ▶

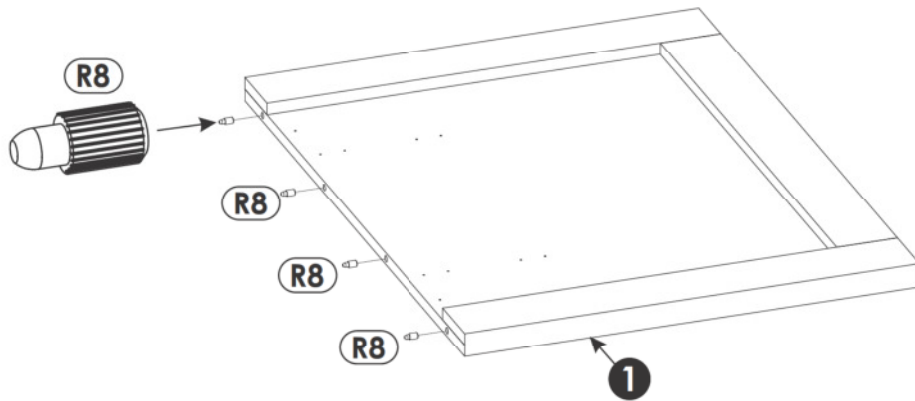
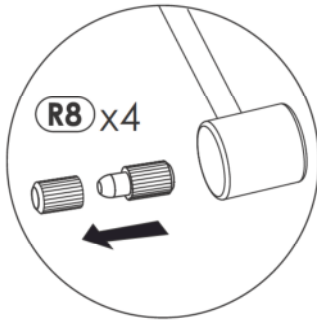
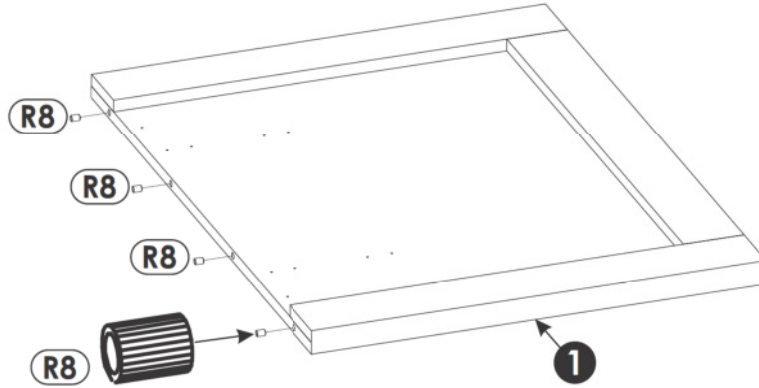
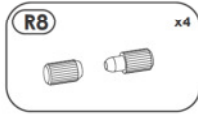
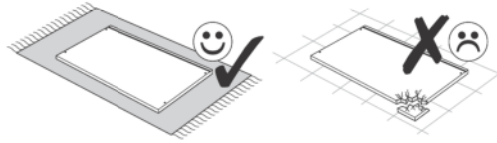




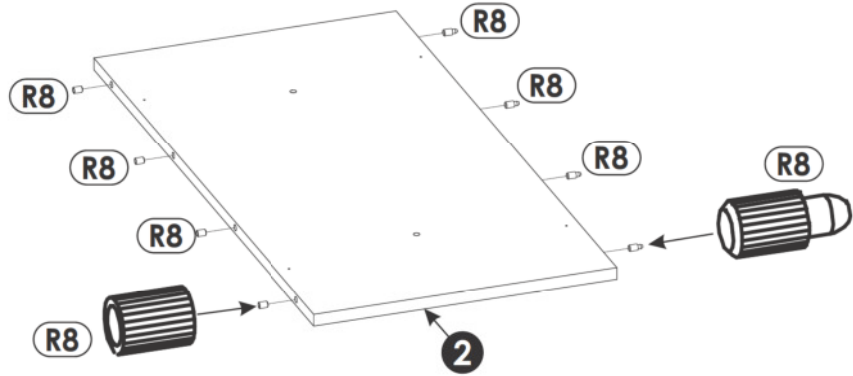
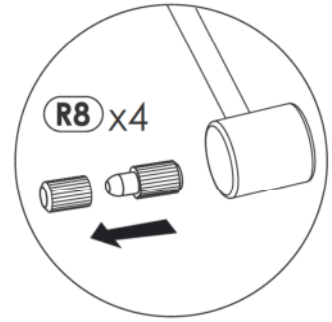
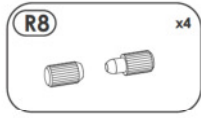
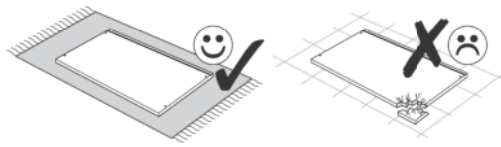
5 ▶



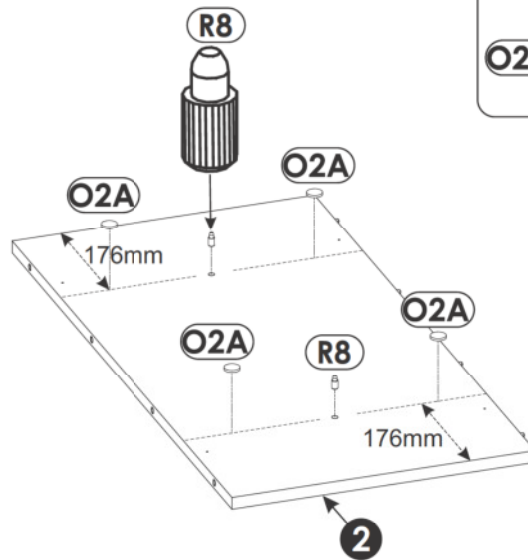
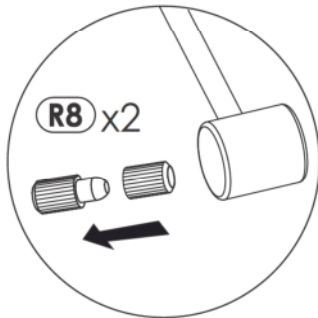
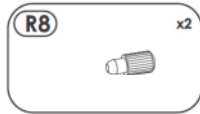
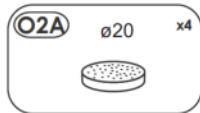
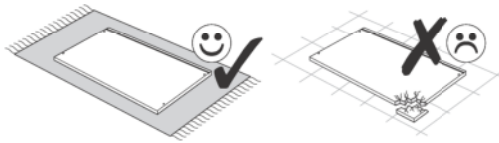
6 ▶



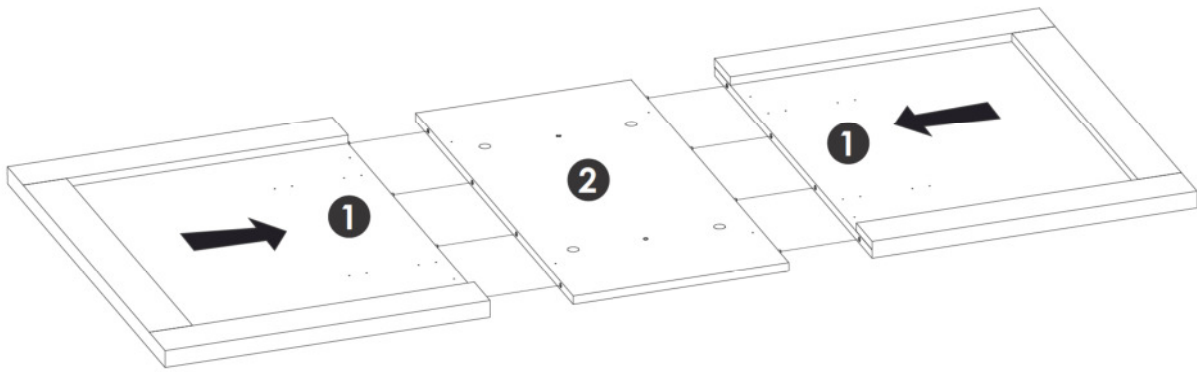
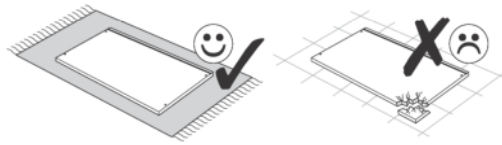
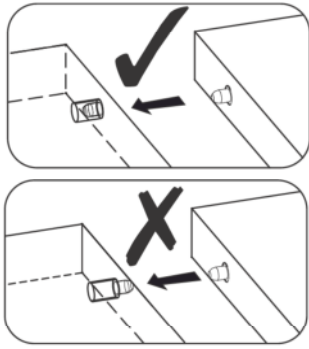
7 ▶



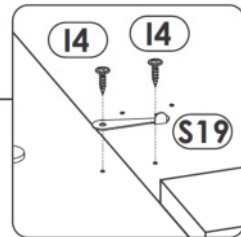
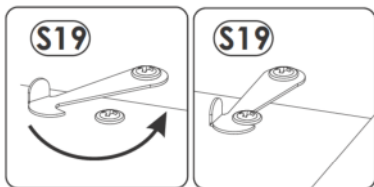
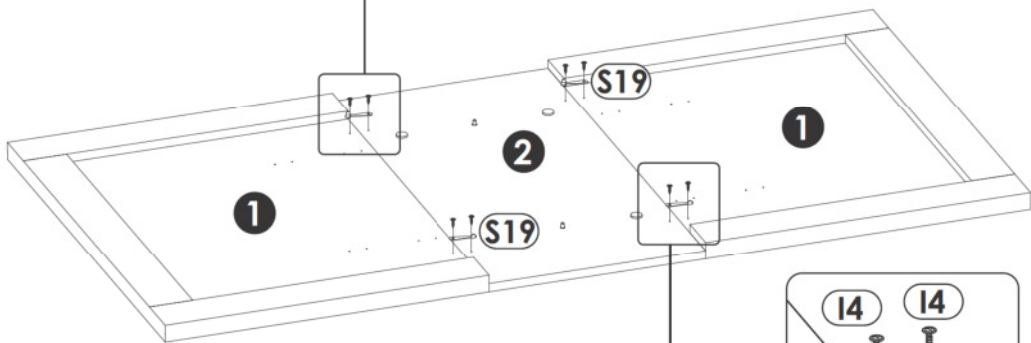
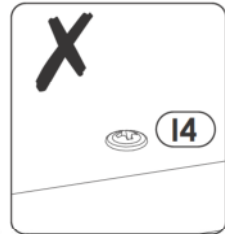
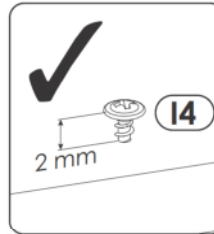
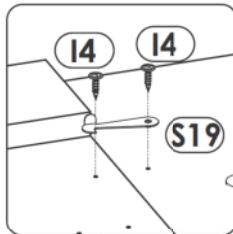
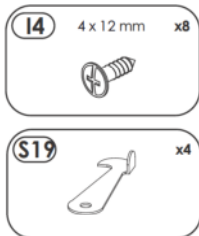
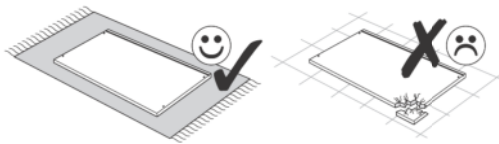
8 ▶



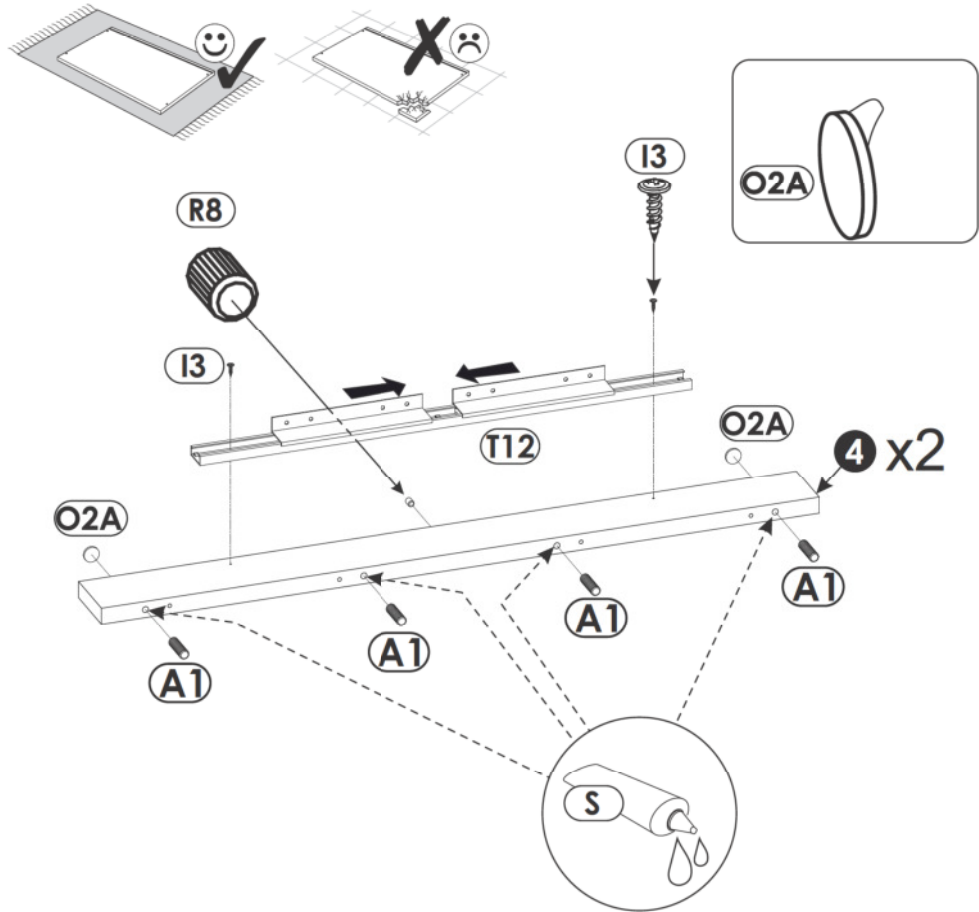
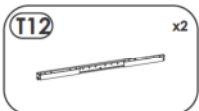
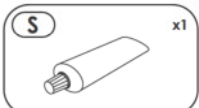
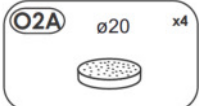
9 ▶



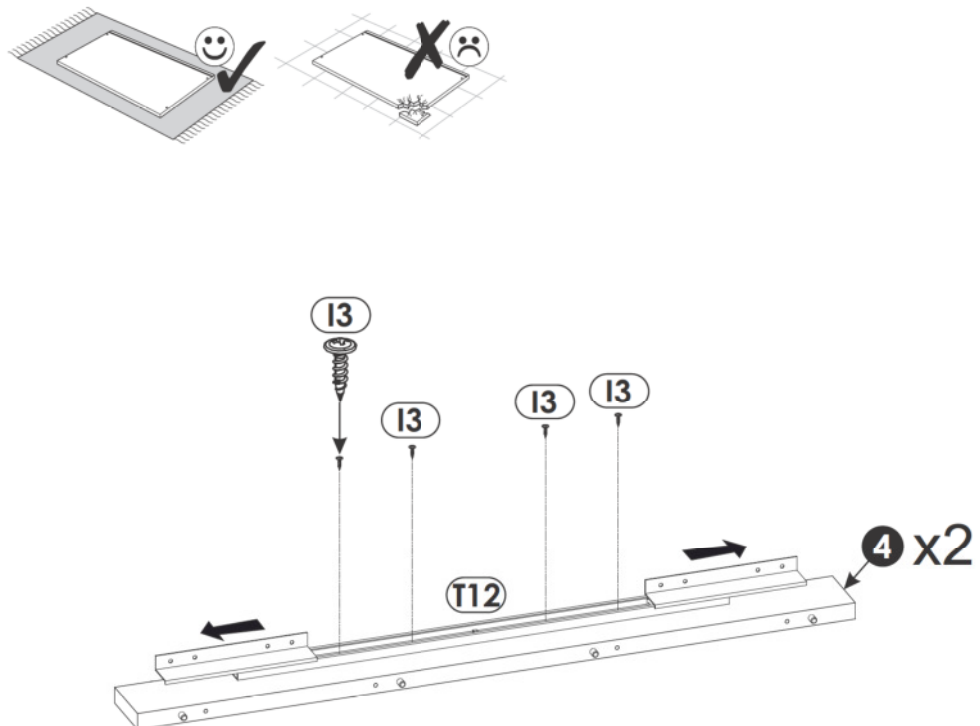
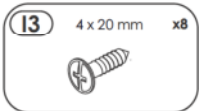
10 ▶



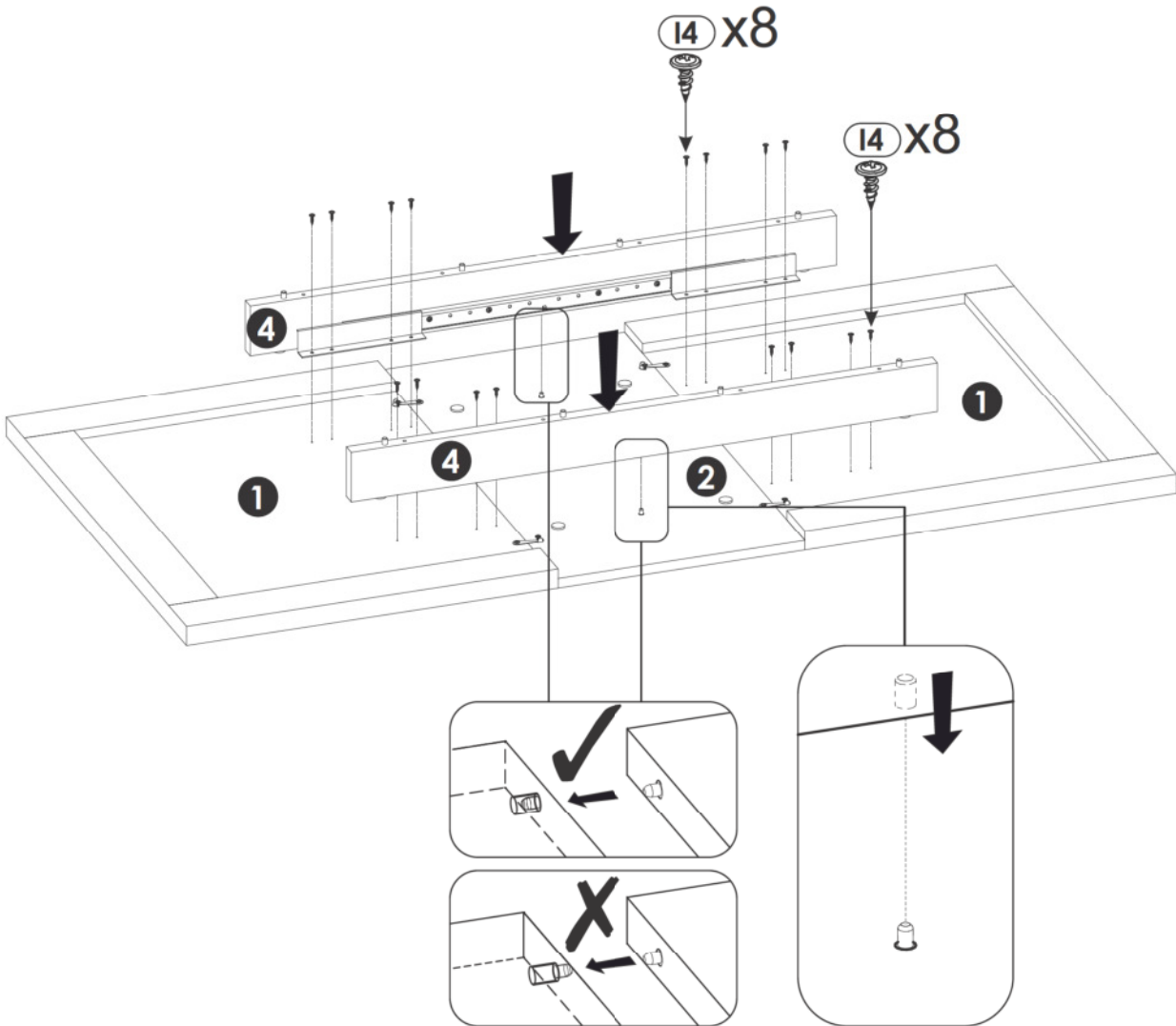
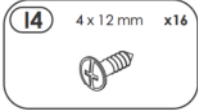
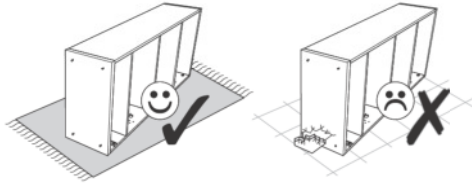
11 ▶



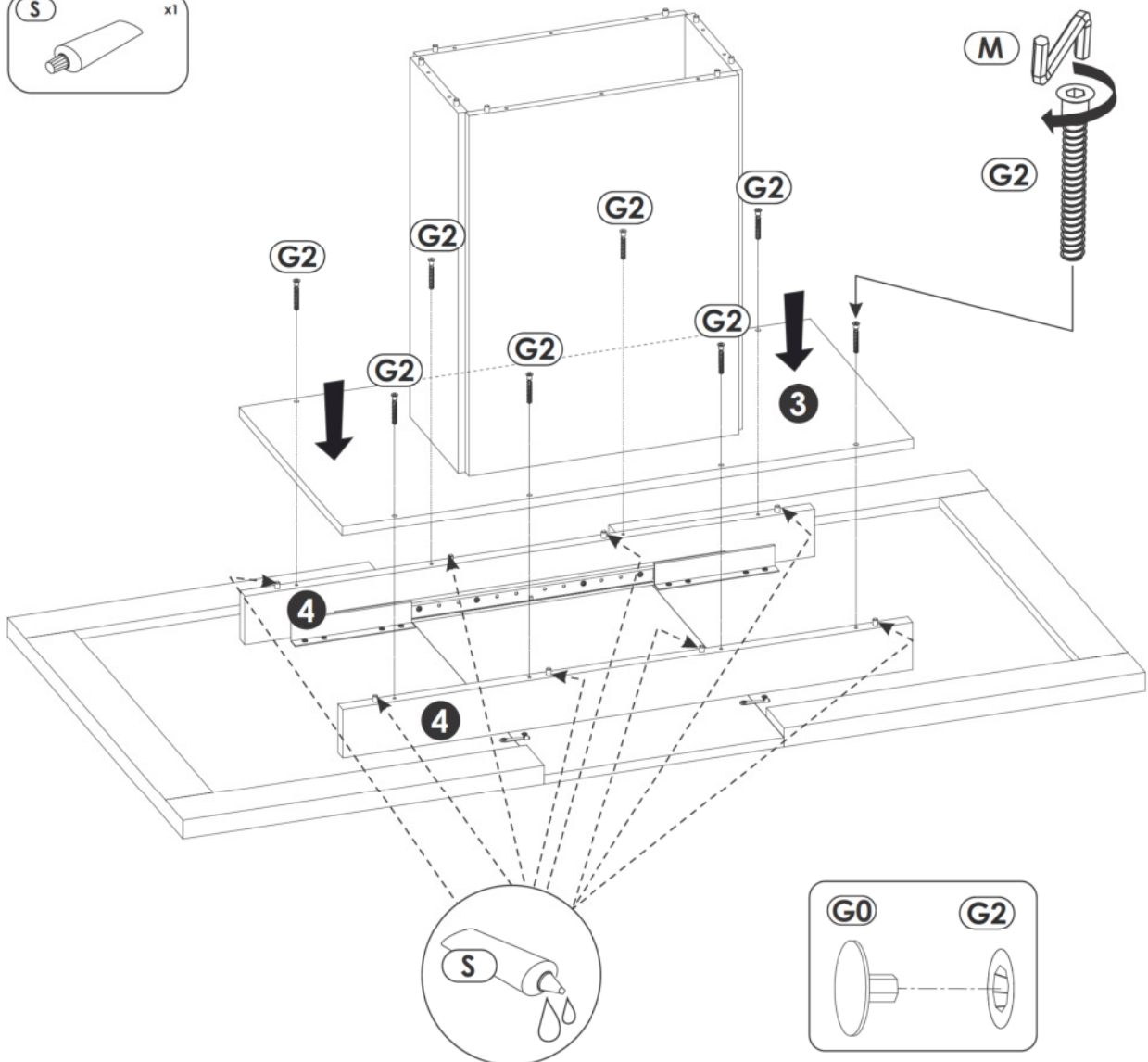
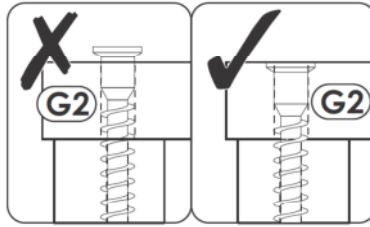
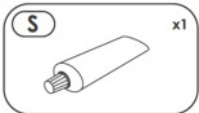
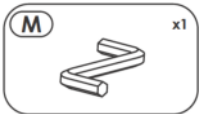
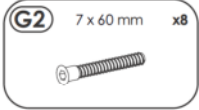
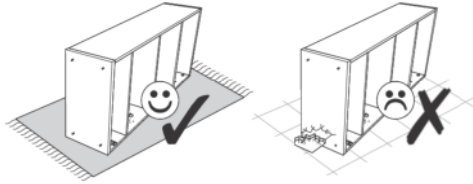
12 ▶



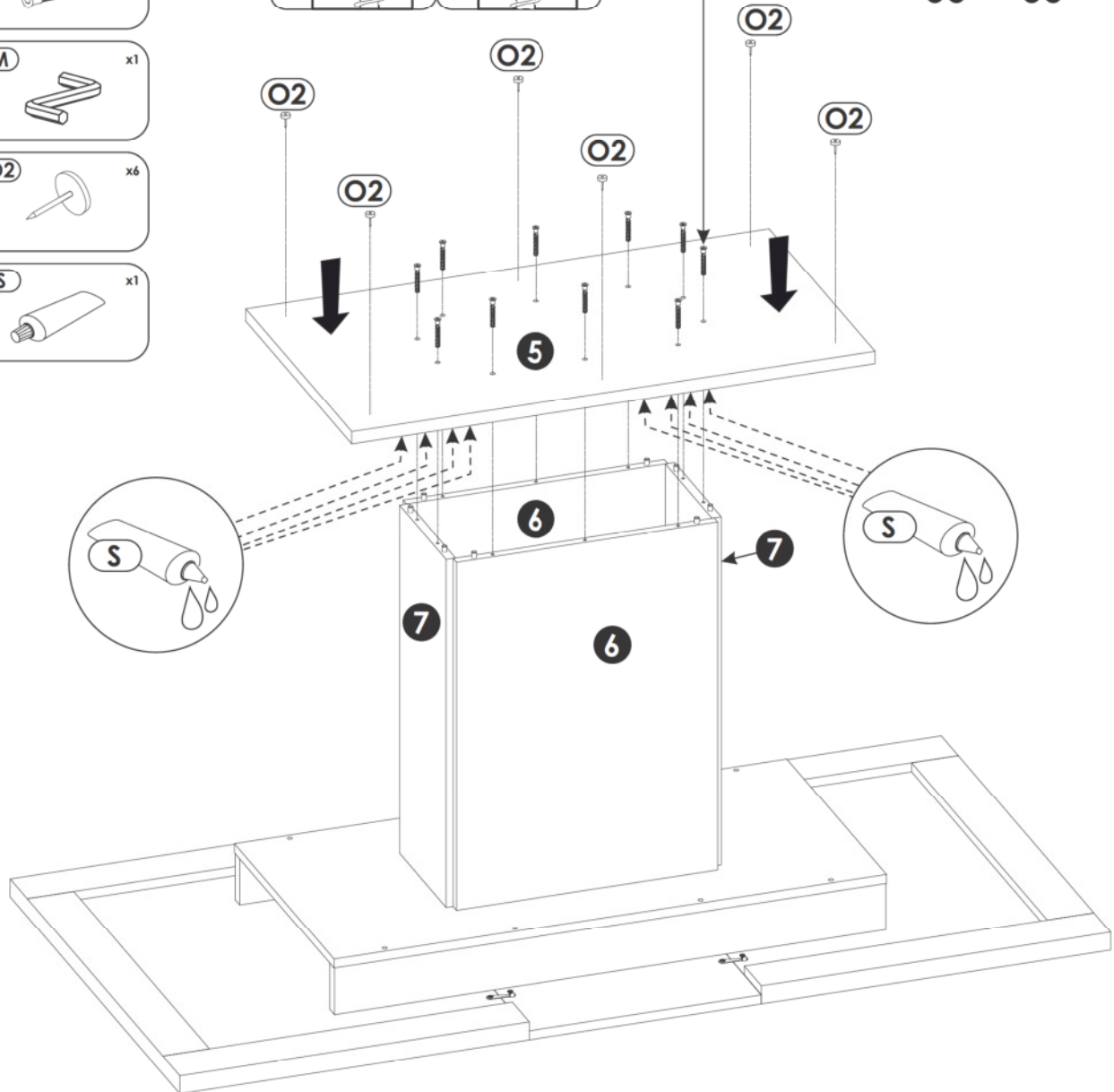
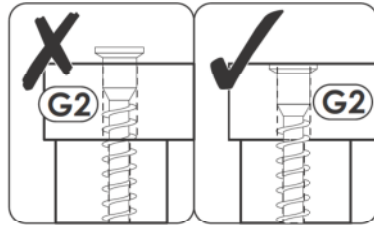
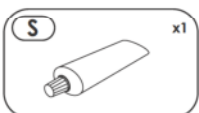
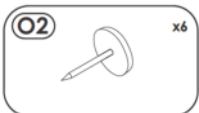
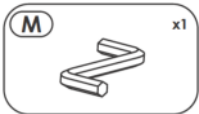
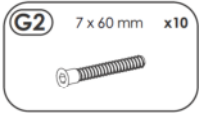
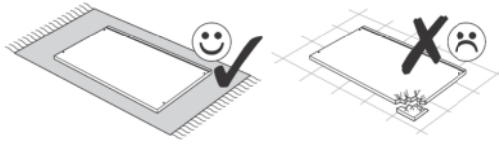
13 ▶



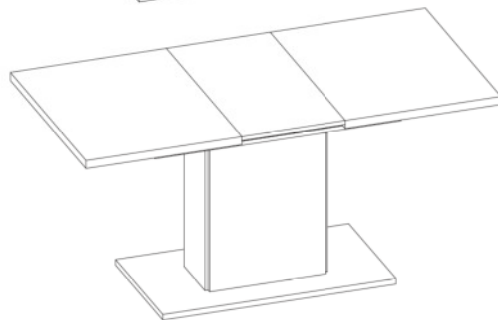
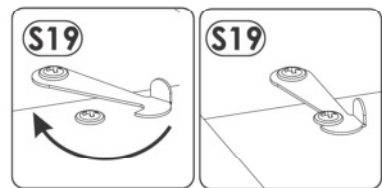
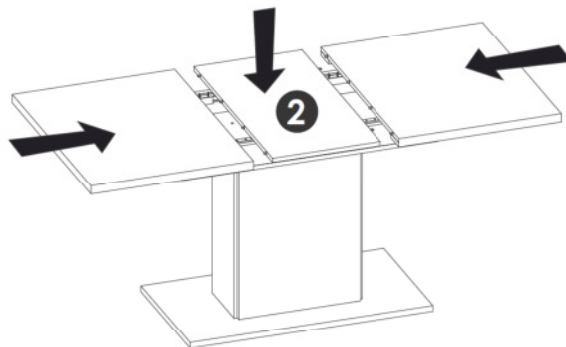
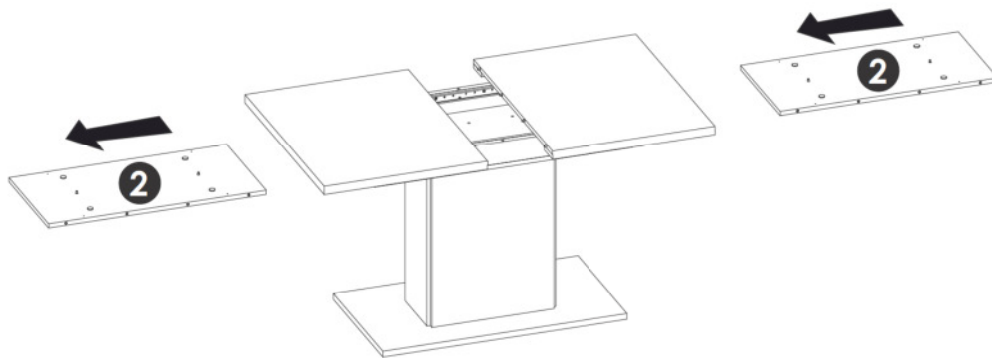
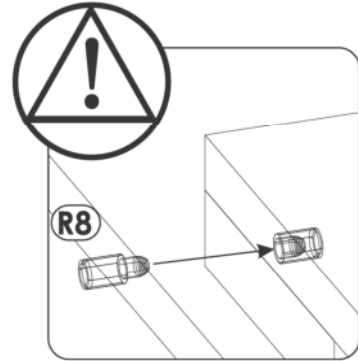
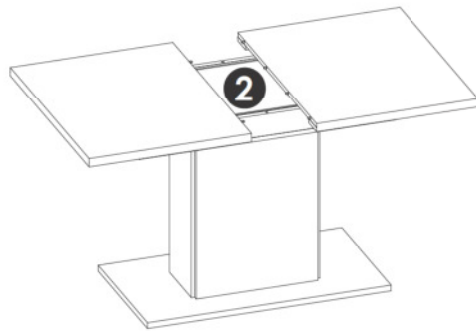
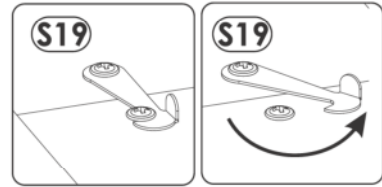
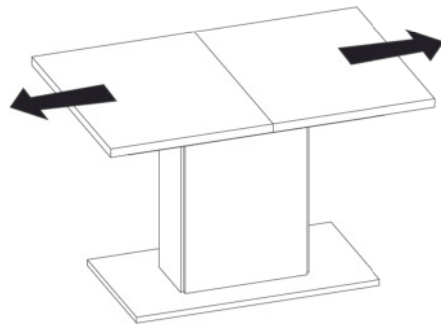
14 ▶



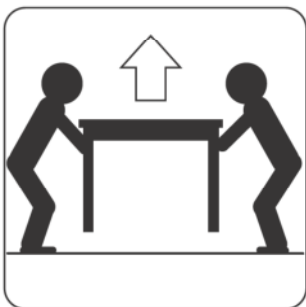
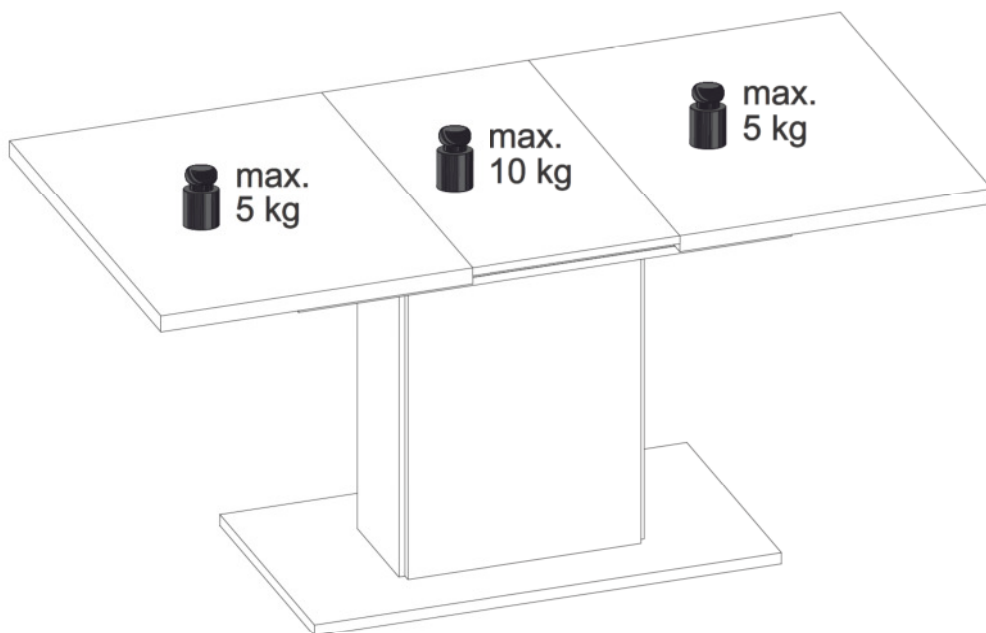
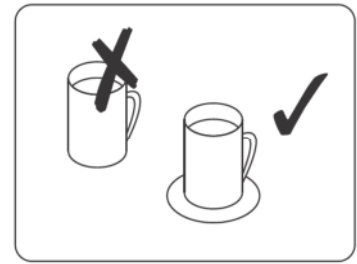
15 ▶

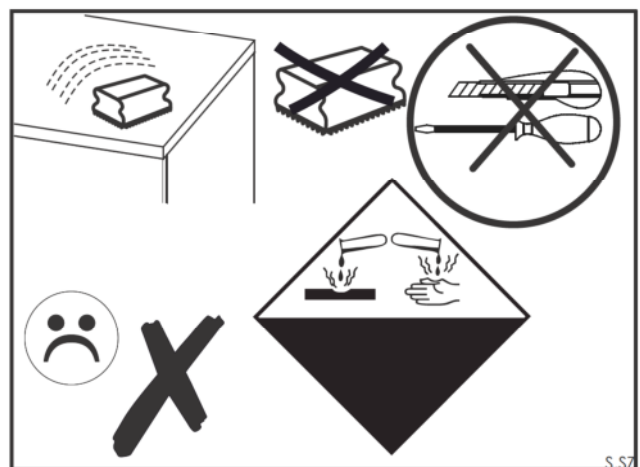
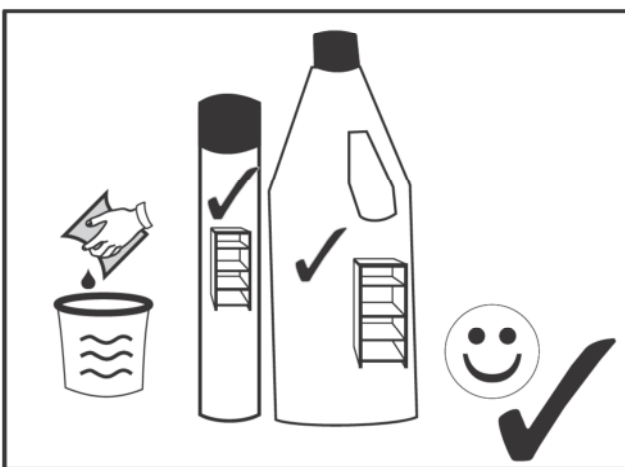
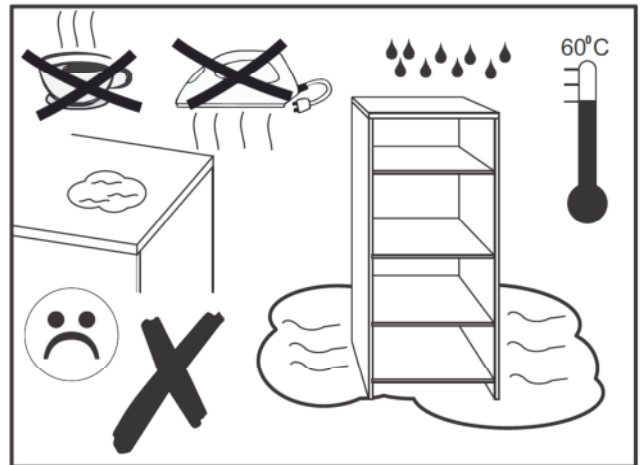
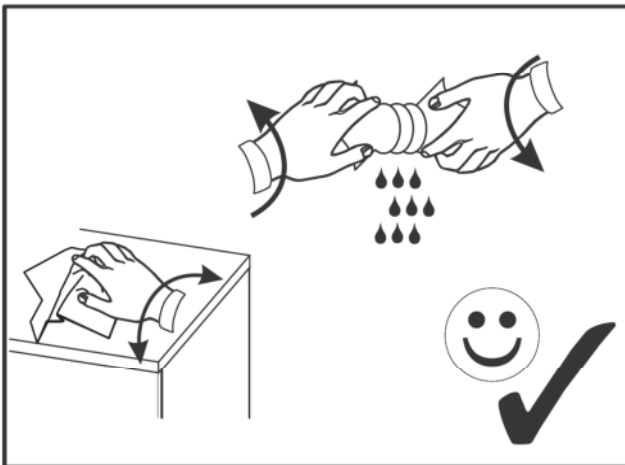
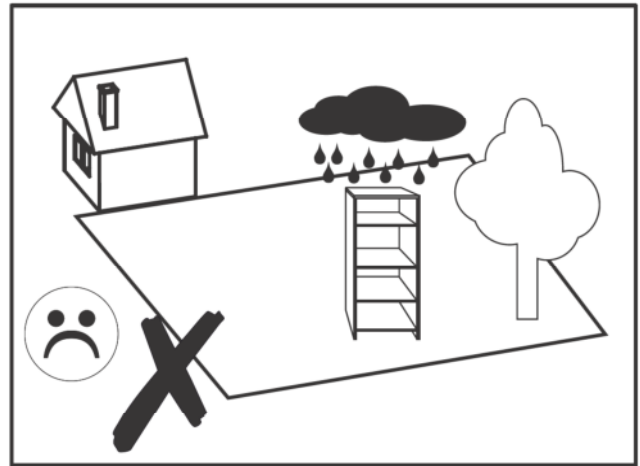
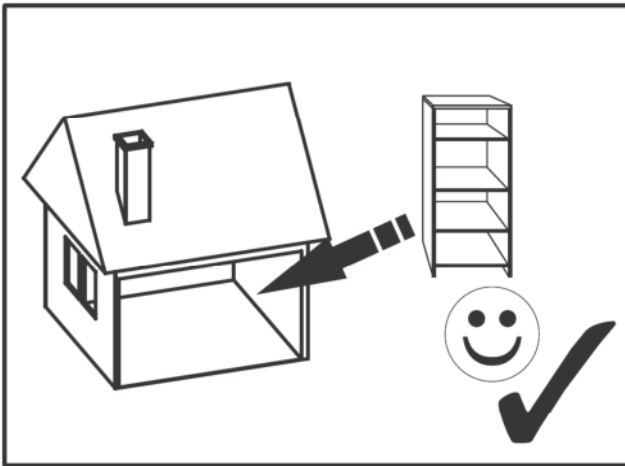


16▶

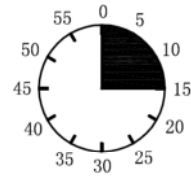
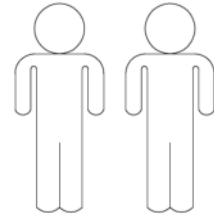
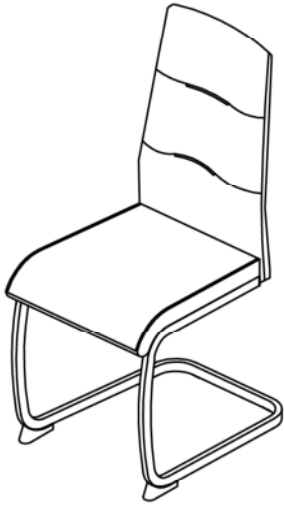


17▶





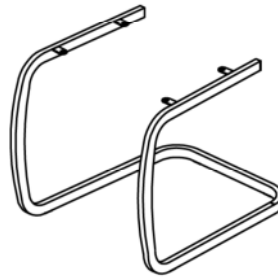
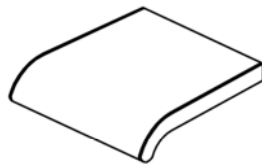
Ariana



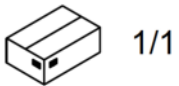
1

2

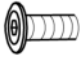
3




1	1X
2	1X
3	1X




1/1


A M6*12

 4X


B M6*18

 4X

C Ø18*Ø6.5*1.5

 4X

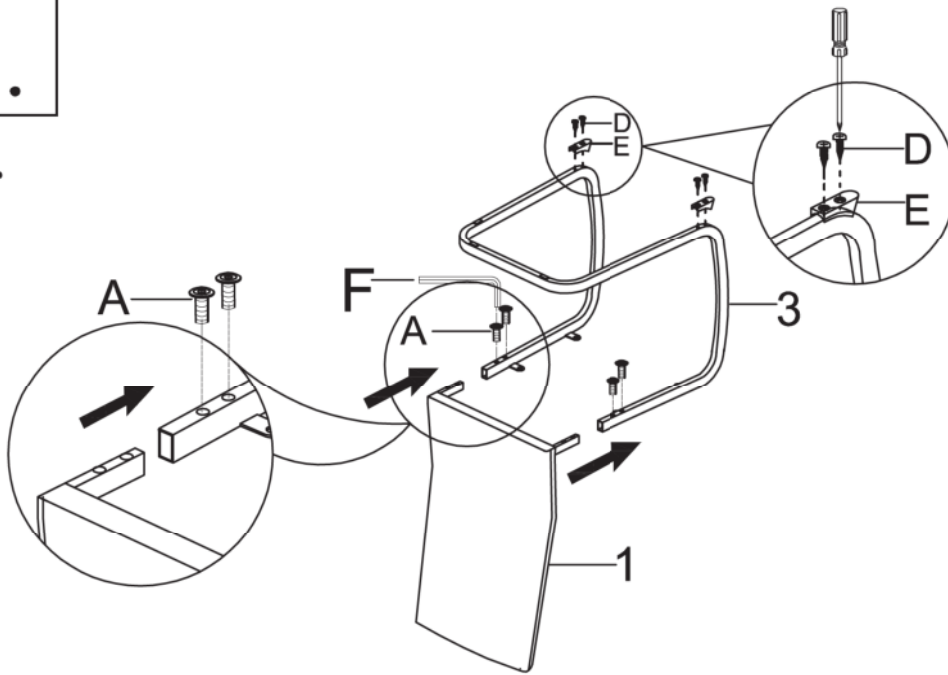
D M4*20

 4X

E

 2X

F 4mm

 1X

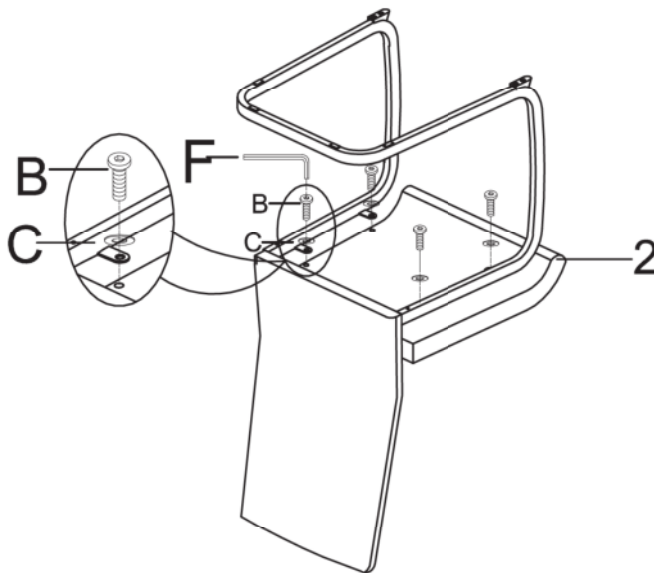
I.

1.



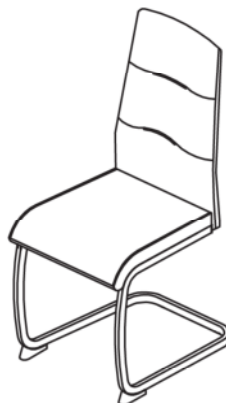
A	M6*12	4X
D	M4*20	4X
E		2X
F	4mm	1X
		75%

2.



B	M6*18	4X
C	Ø18*Ø6.5*1.5	4X
F	4mm	1X
		75%

3.



F	4mm	1X
		100%



LE TRI
+ FACILE



Séparez les éléments avant de trier