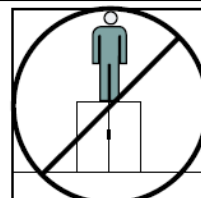
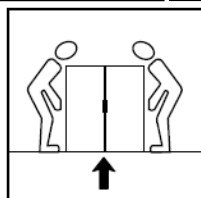
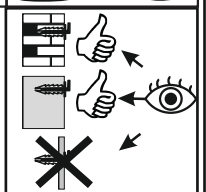
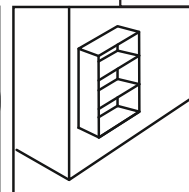
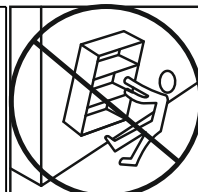
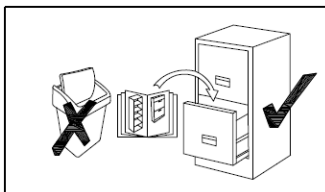
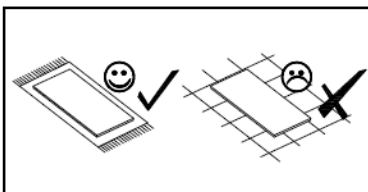
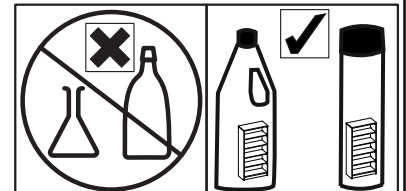
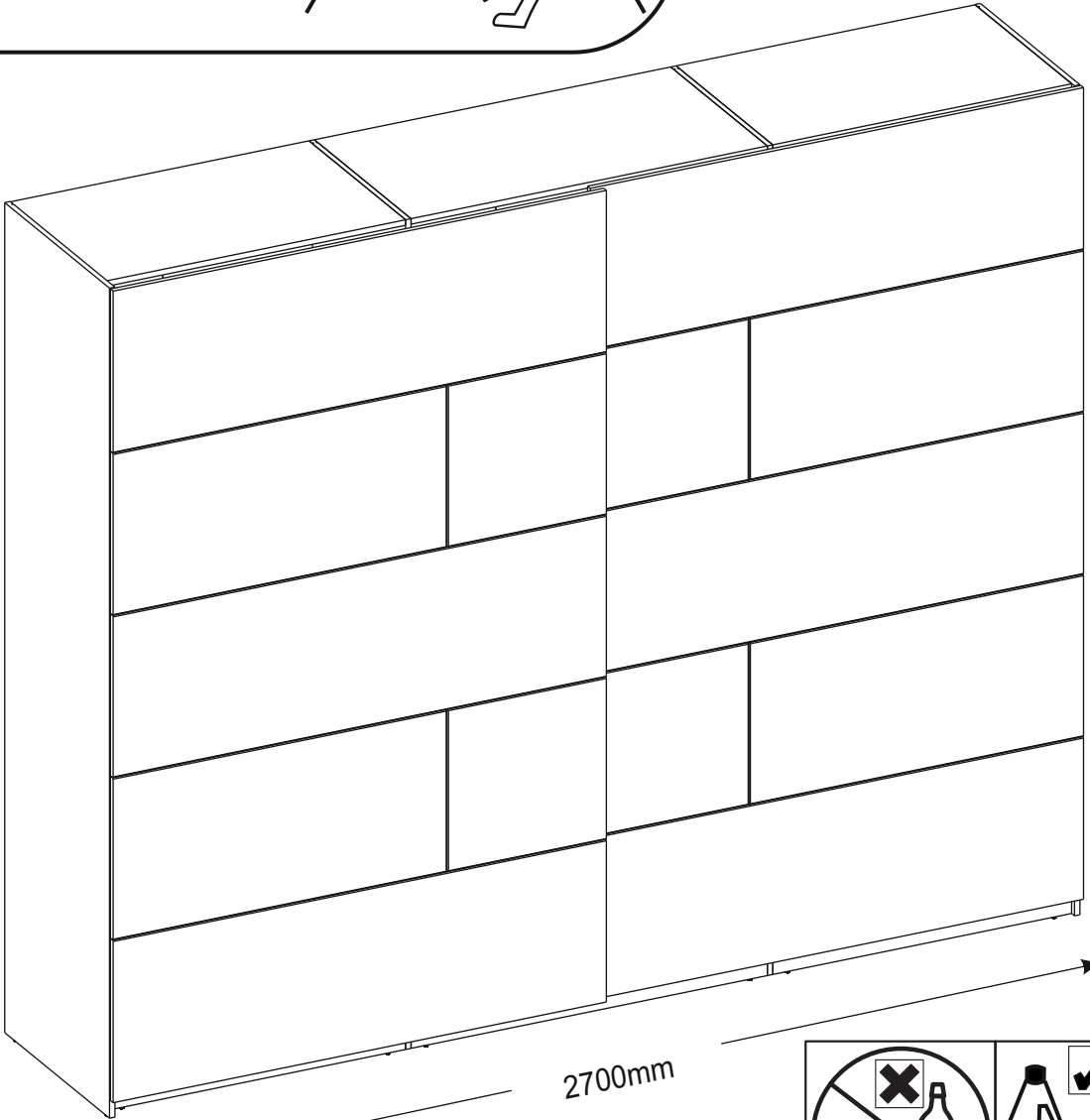
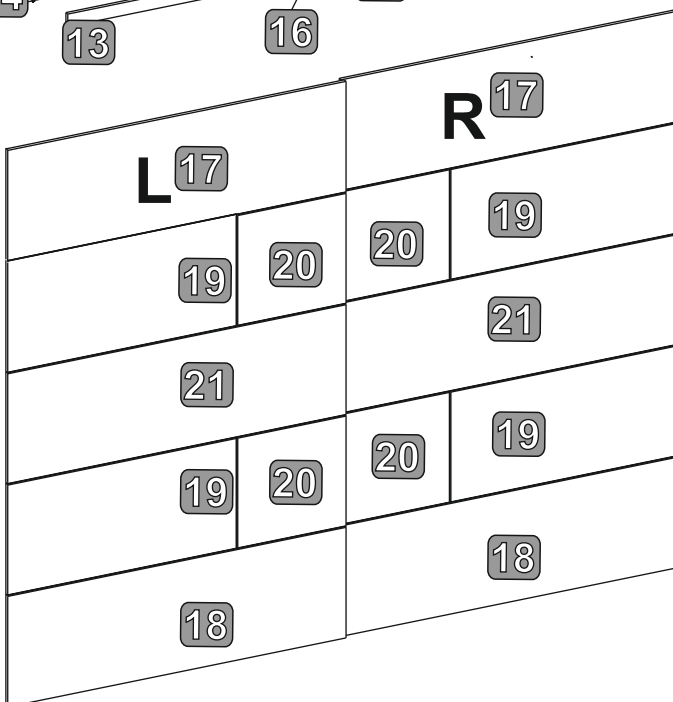
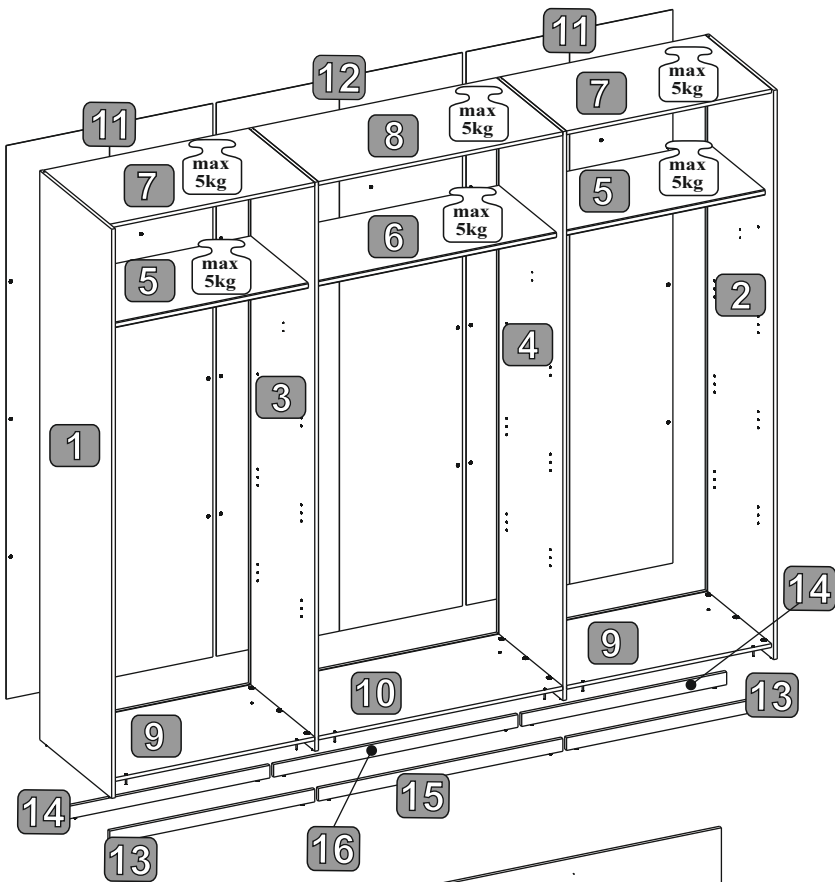


2255mm

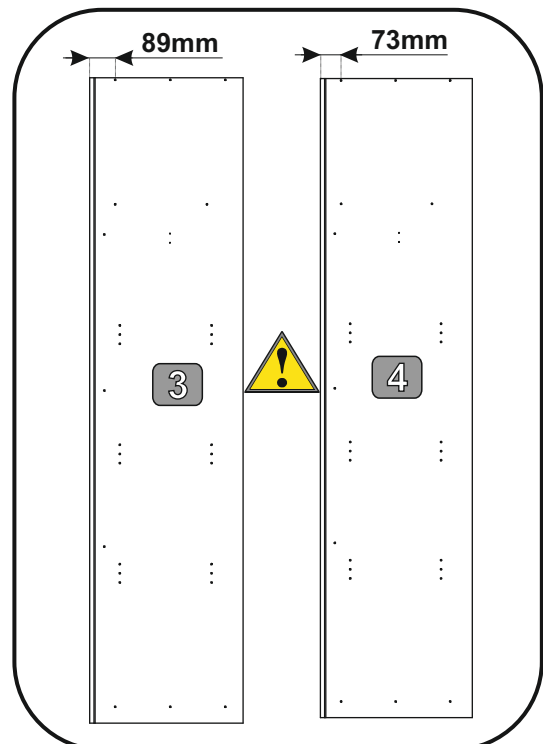
600mm

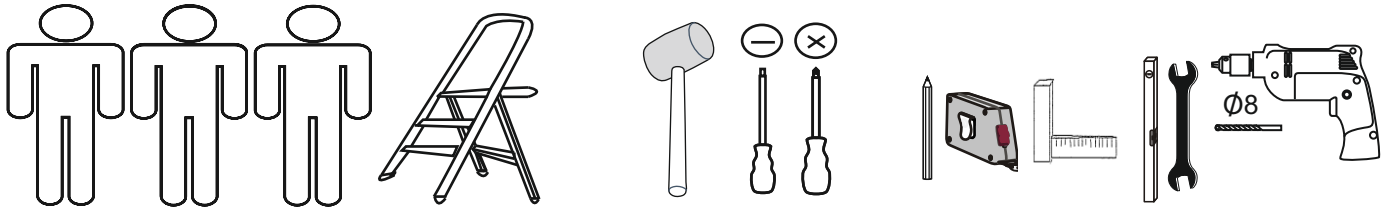
2700mm



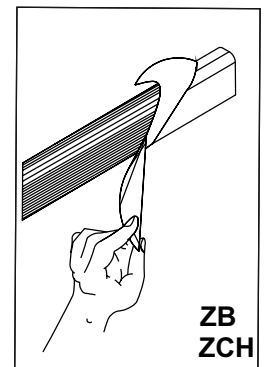
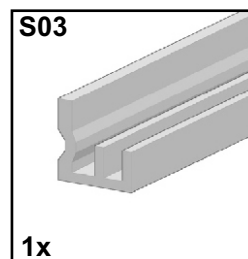
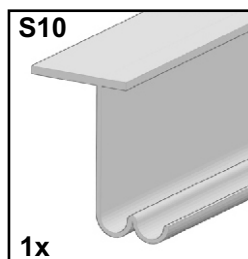
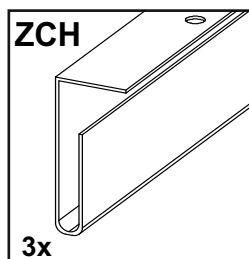
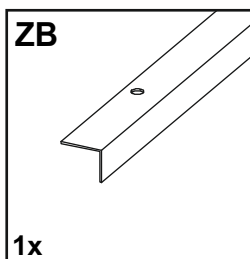


NR	DIM	QTE	COLLI
1	2250x580x15	1	1/7
2	2250x551x15	1	1/7
3	2249x535x15	1	2/7
4	2249x535x15	1	2/7
5	827x465x22	2	4/7
6	986x465x22	1	4/7
7	827x535x15	2	3/7
8	986x535x15	1	3/7
9	827x535x15	2	3/7
10	986x535x15	1	3/7
11	2188x834x2	2	2/7
12	2188x993x2	1	2/7
13	827x50x15	2	3/7
14	827x50x15	2	3/7
15	986x50x15	1	3/7
16	986x50x15	1	3/7
17	1365x440x15	2	5;6/7
18	1365x440x15	2	5;6/7
19	925x440x15	4	5;6/7
20	440x440x15	4	5;6/7
21	1365x440x15	2	5;6/7
ZB	L-2200	1	7/7
ZCH	L-2200	3	7/7
S10	L-2668	1	7/7
S03	L-2668	1	7/7










 48x T04	 48x T05	 18x W16	 1x K02	 24x W08	 18x C02	 1x G-02
 24x W20	 24x R02	 36x R01	 6x E03	 205x W02	 20x S01	 13x W05
 2x P-10	 2x P-07	 1x P-09	 2x P-06	 1x P-08	 2x F-02	 2x J02
 1x J03	 1x Sz1	 28x W12	 2x P01	 4x W07	 2x F01	 2x F11
 8x K50	 6x ZA1	 2x Sp02				

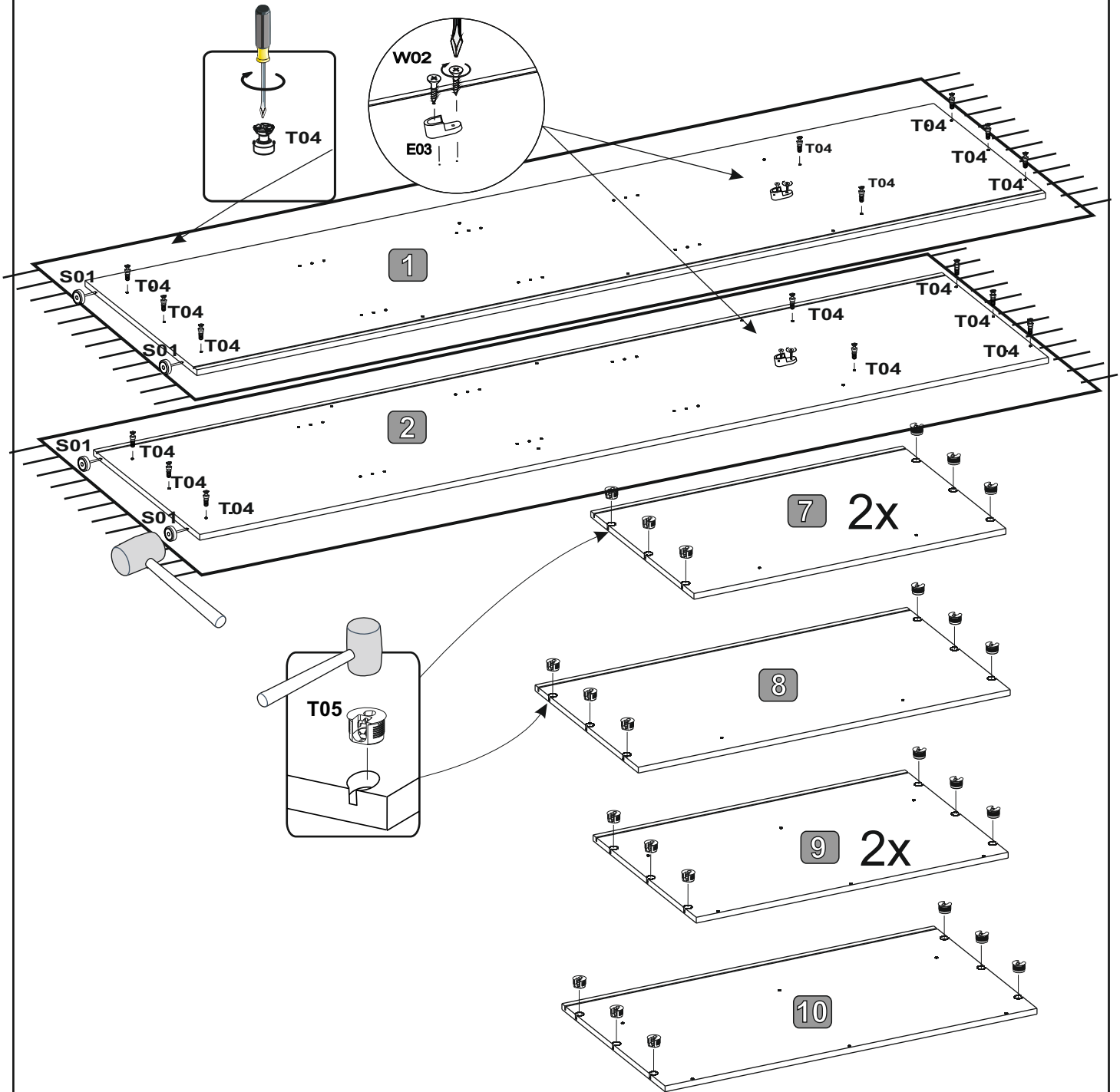


0 10 20 30 40 50 60 70 80 90 100



1

 4x S01	 36x T05	 2x E03	 16x T04	 3,5x13 4x W02
---	--	--	--	---



2



16x

S01



12x

T05



4x

E03



32x

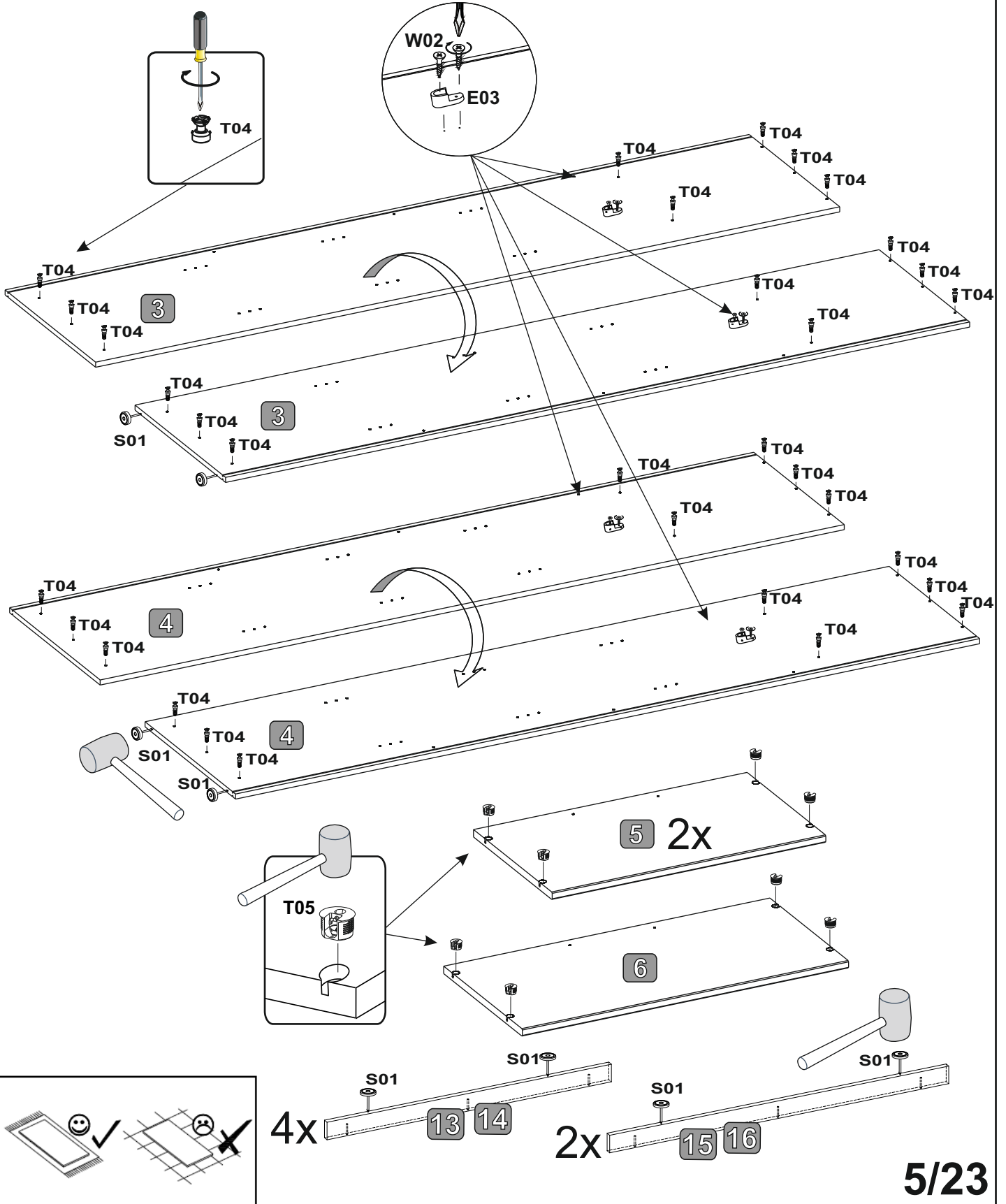
T04



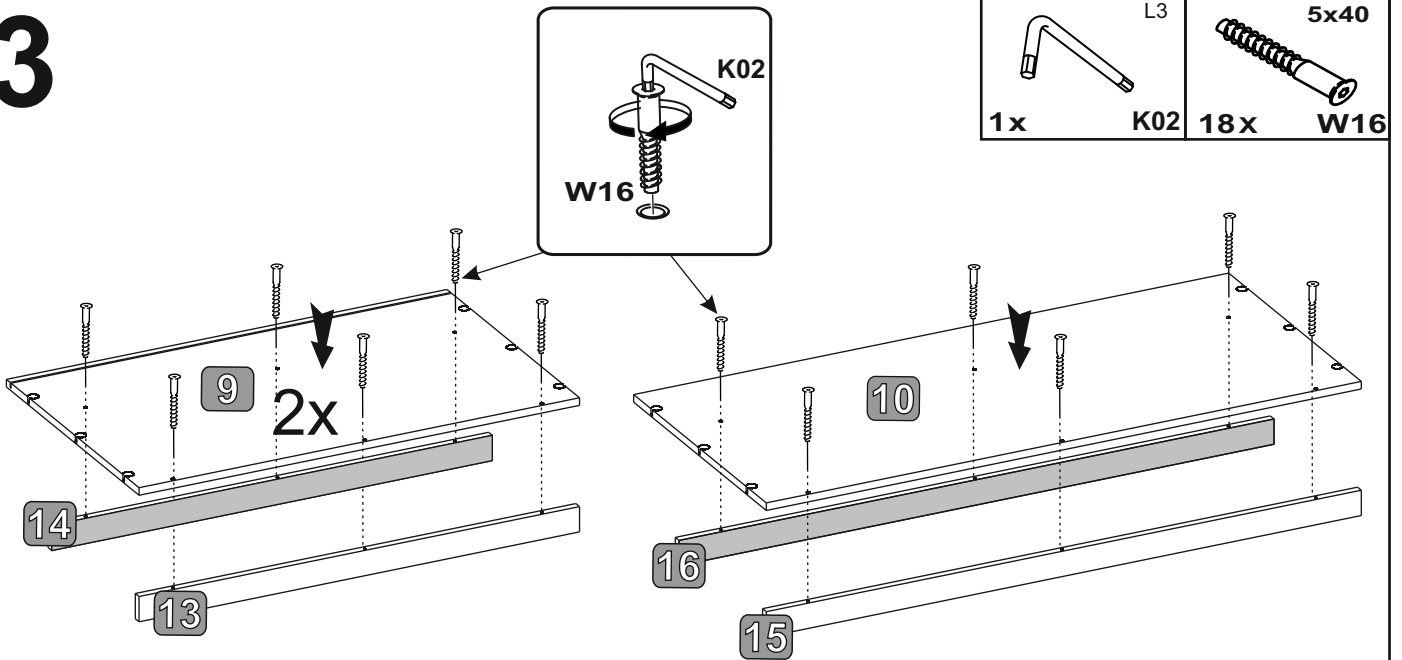
3,5x13

8x

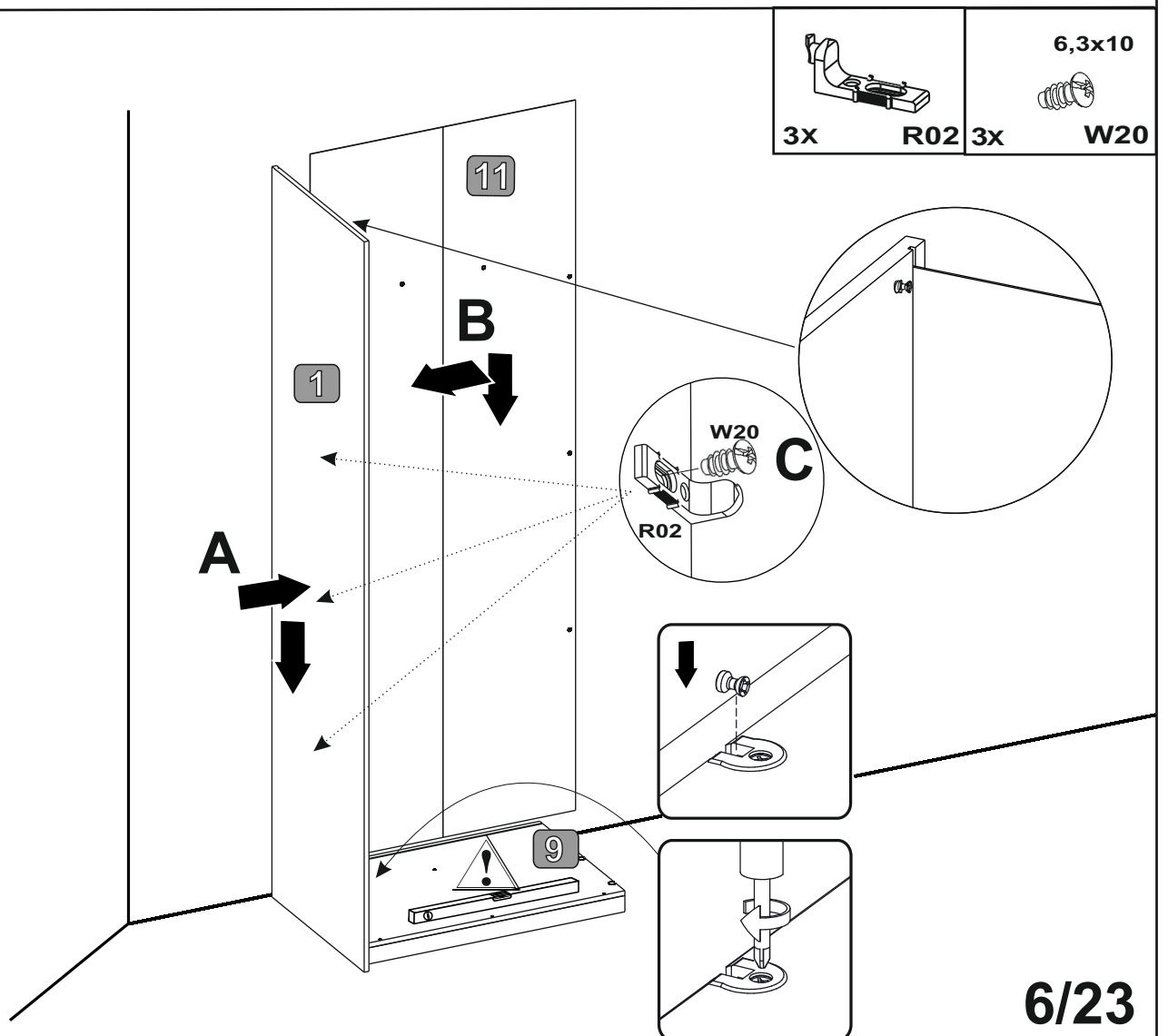
W02



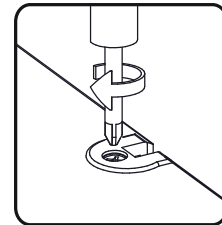
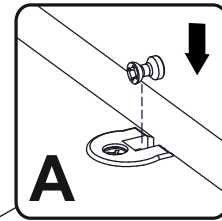
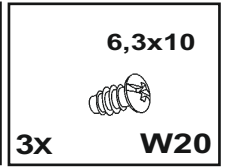
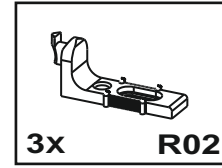
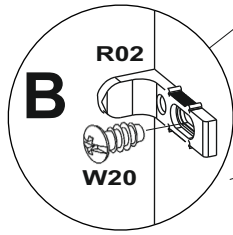
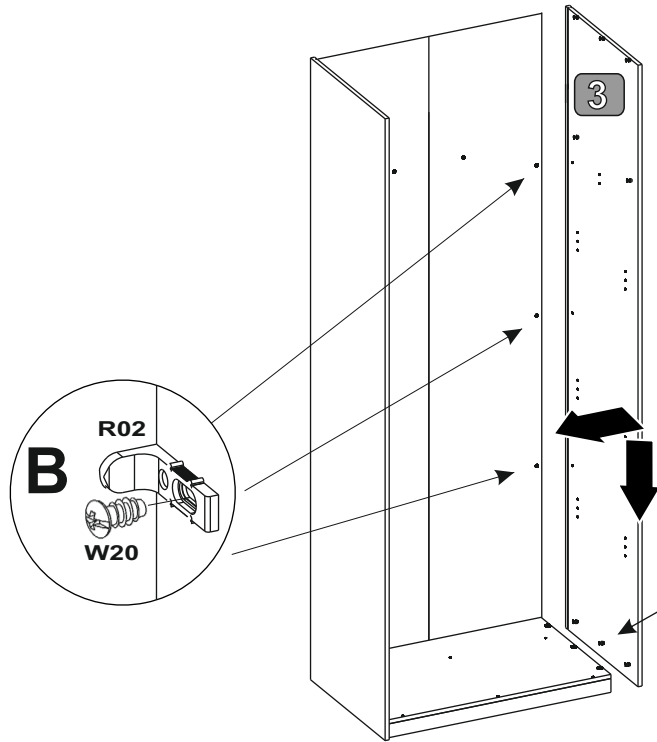
3



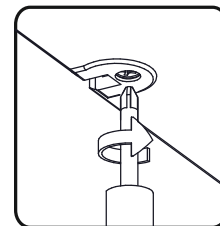
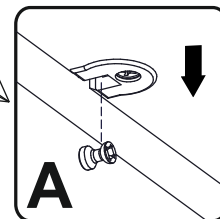
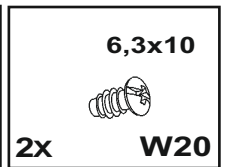
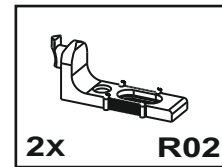
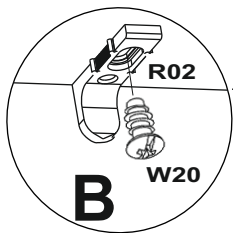
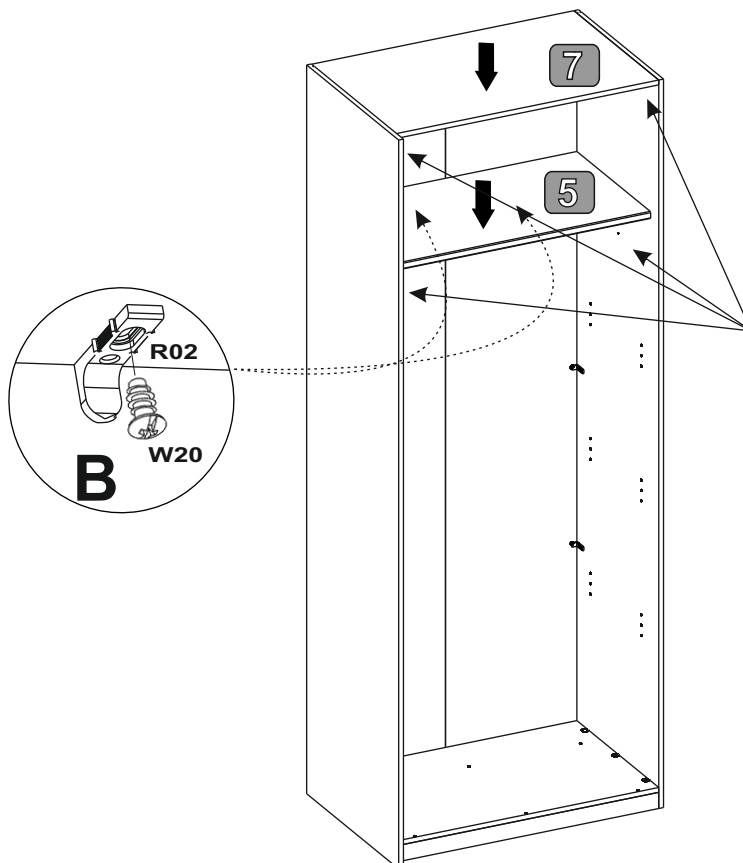
4



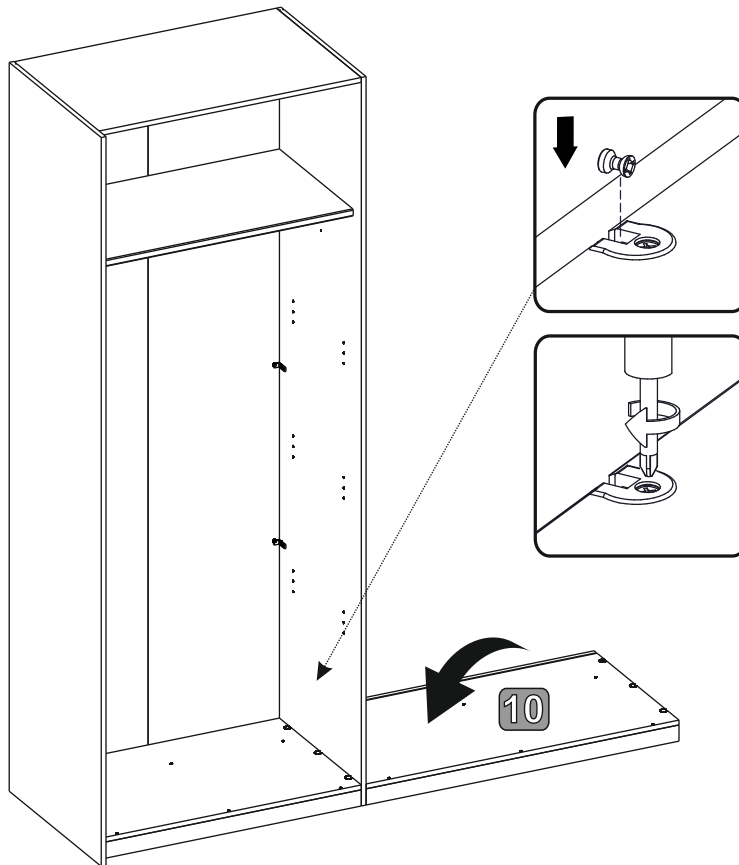
5



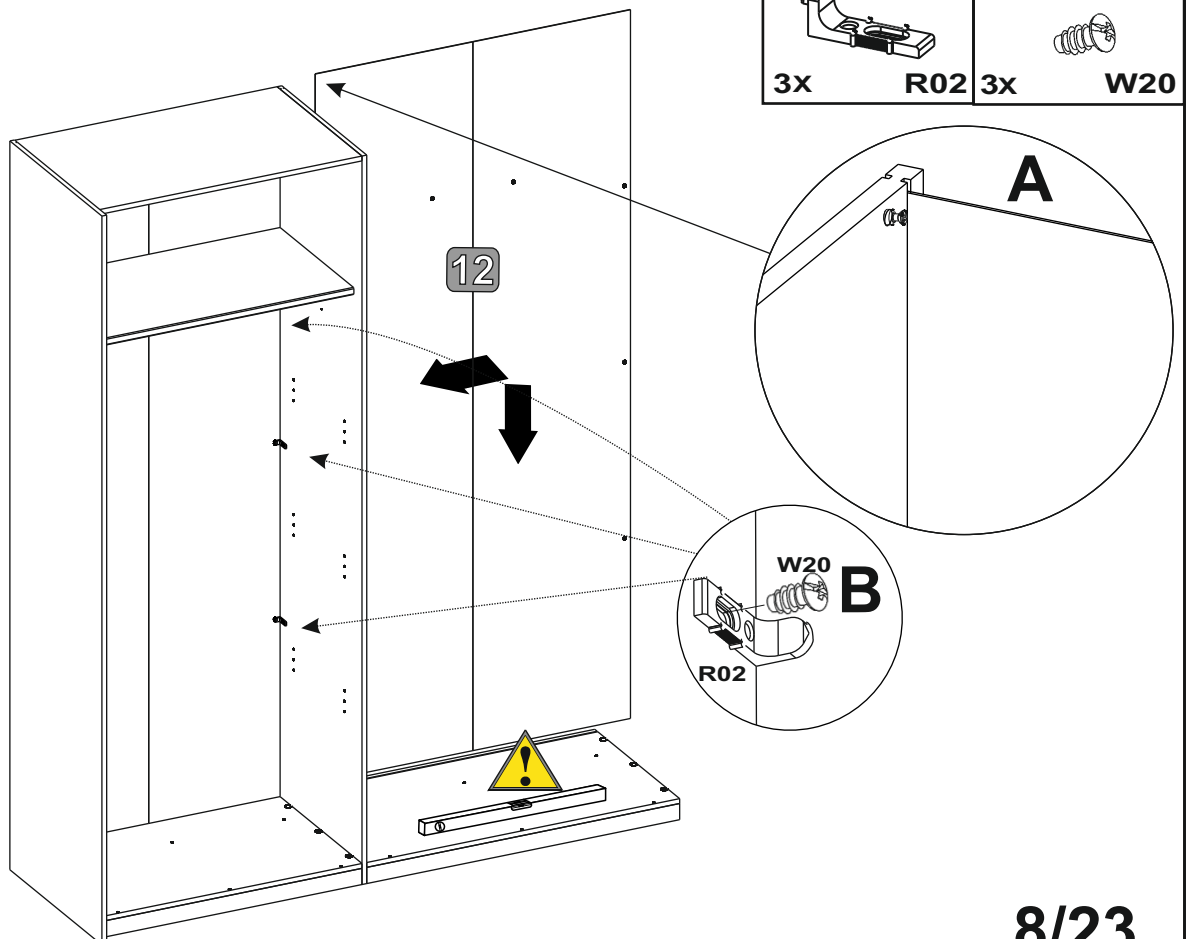
6



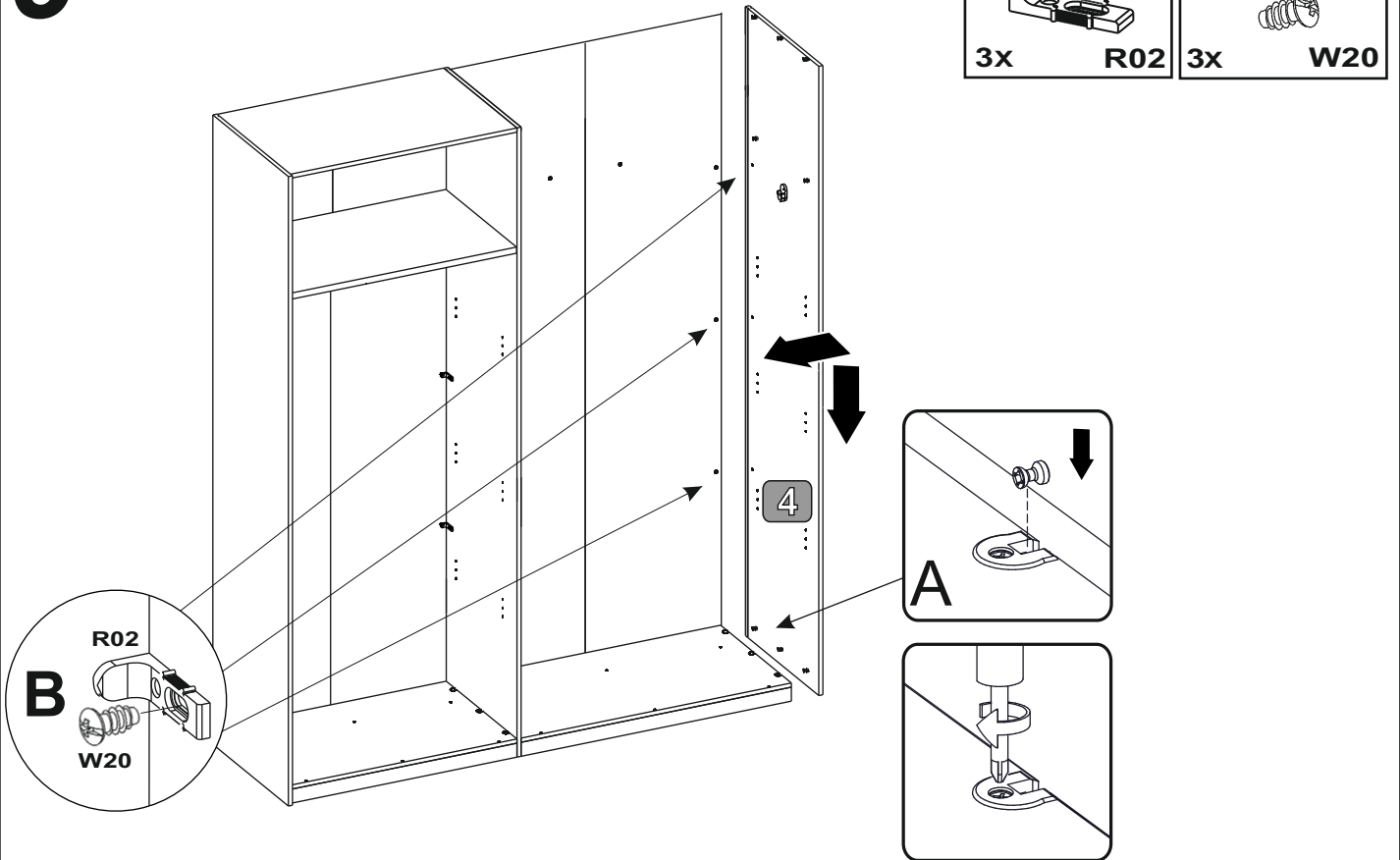
7



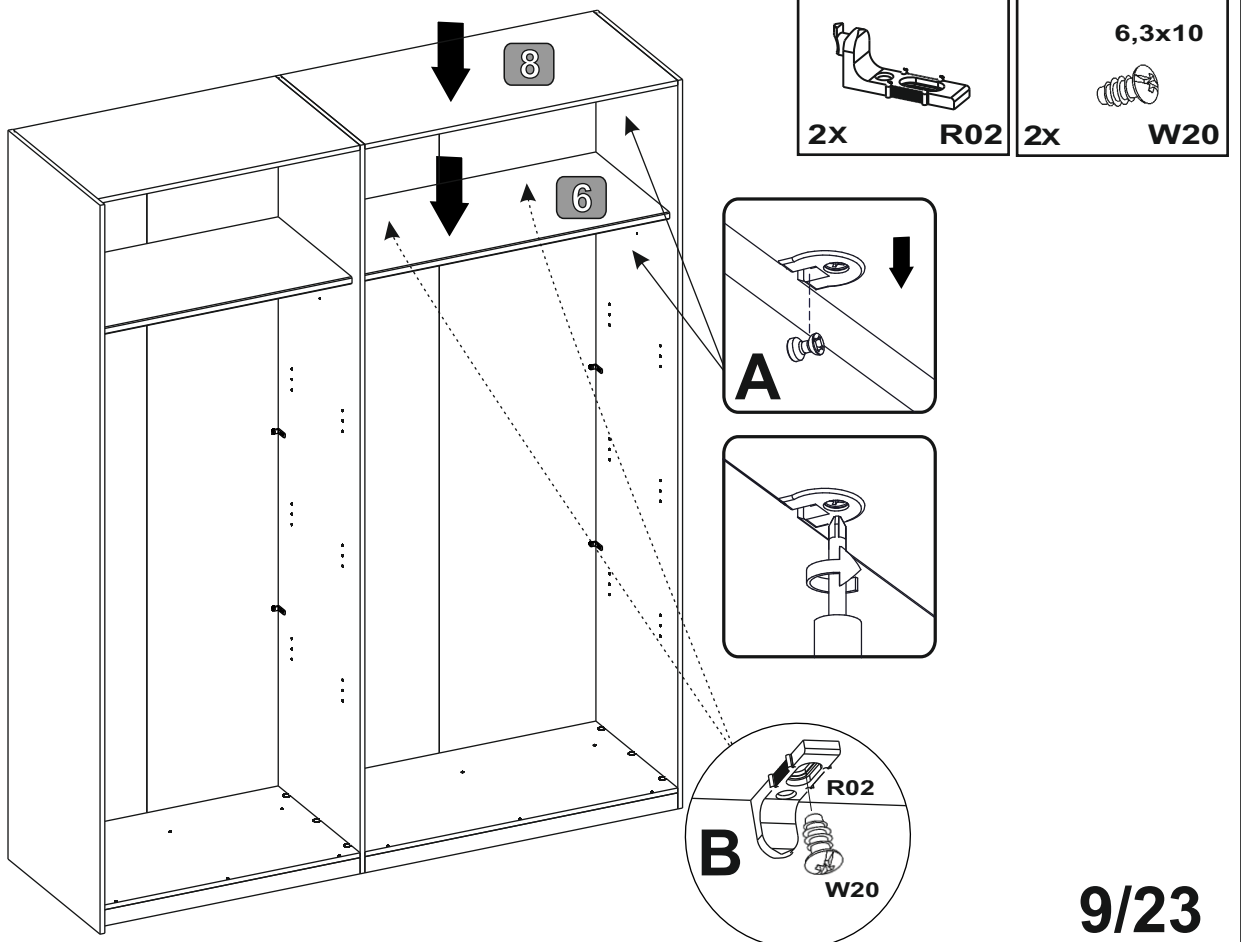
8



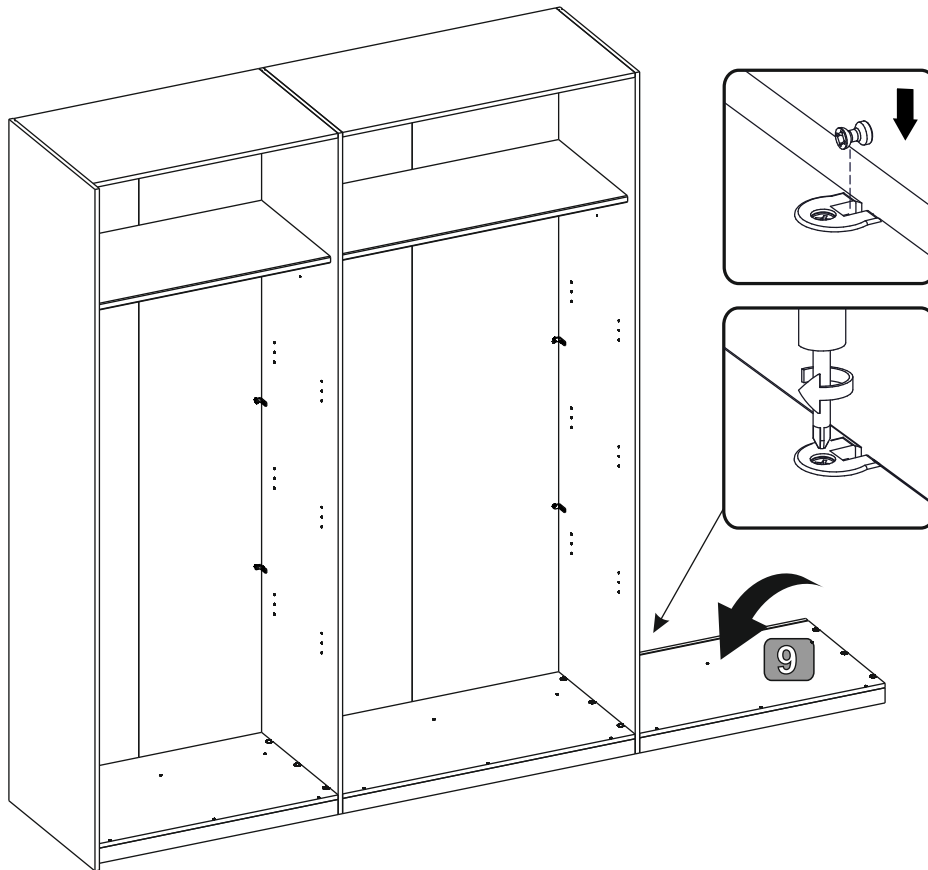
9



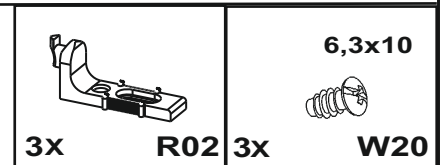
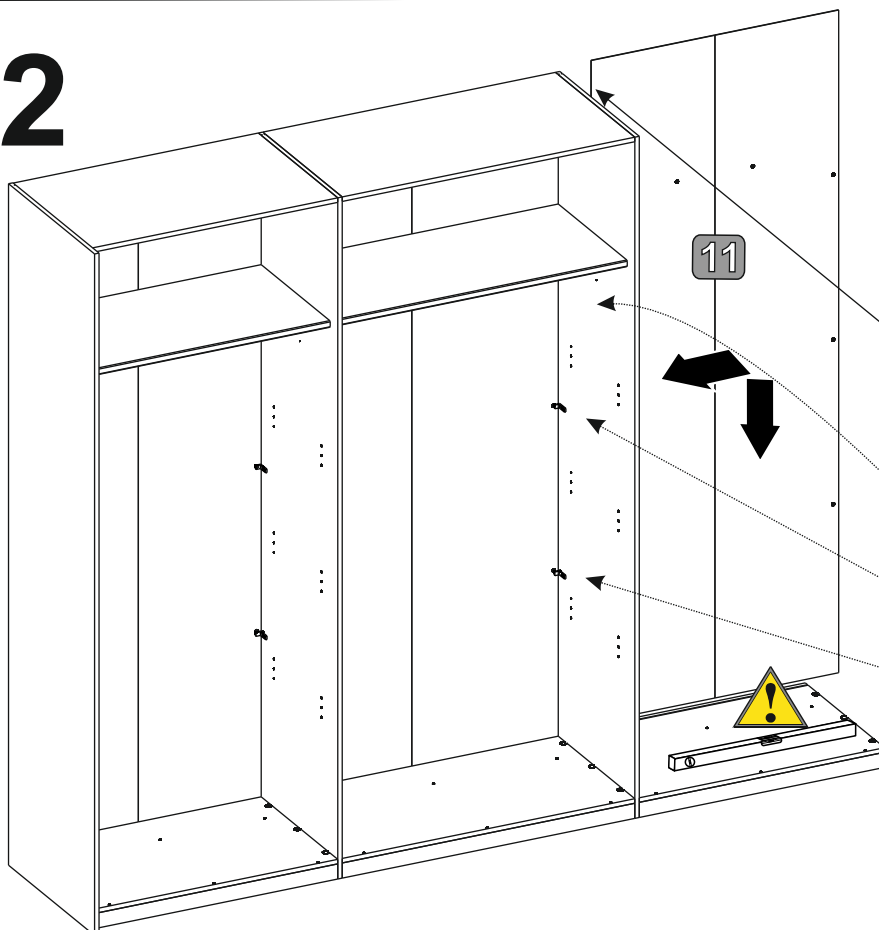
10



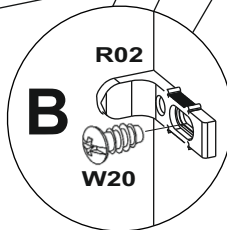
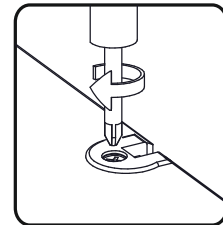
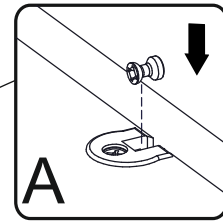
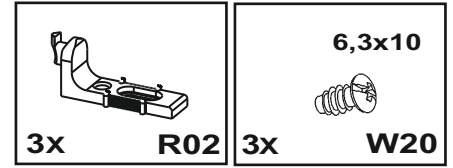
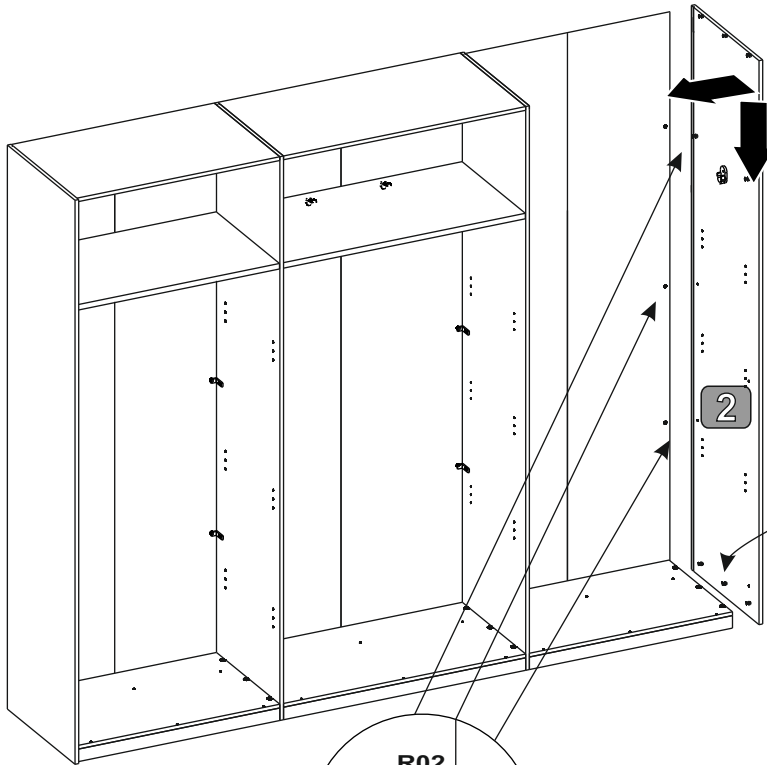
11



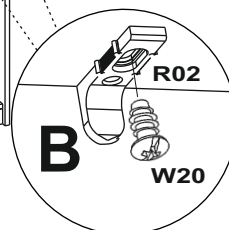
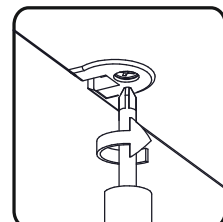
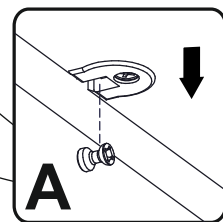
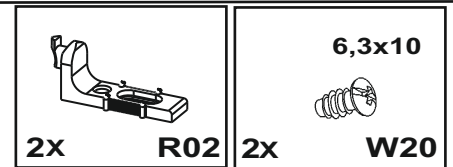
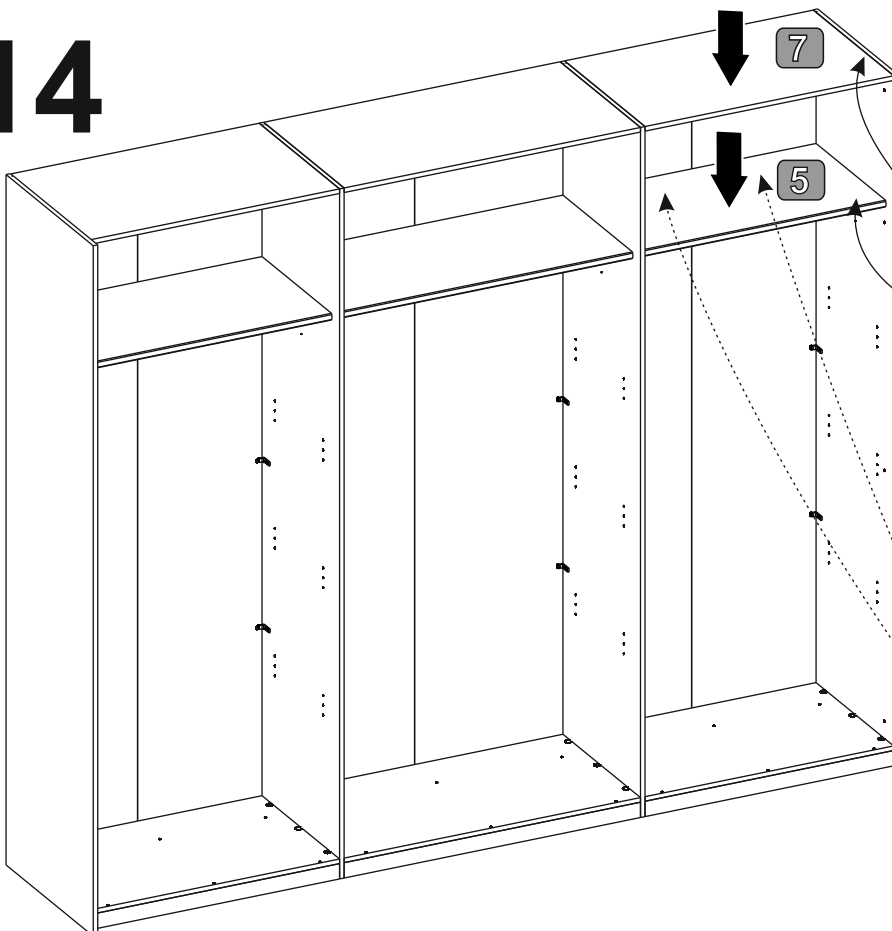
12



13



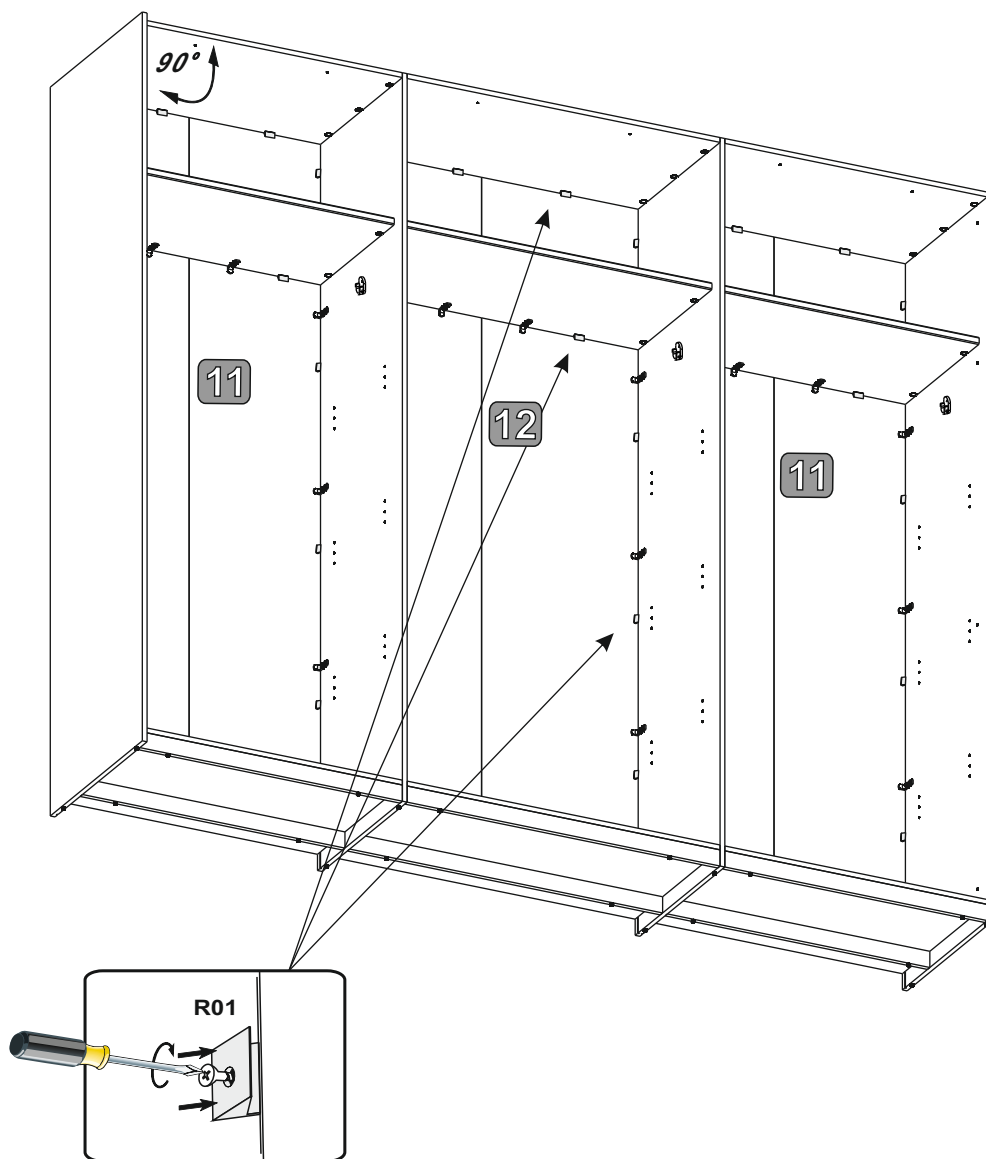
14



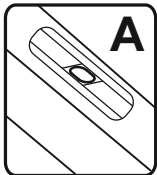
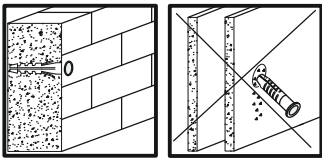
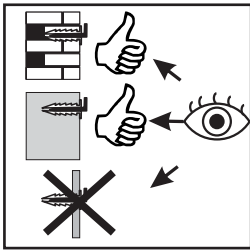
15







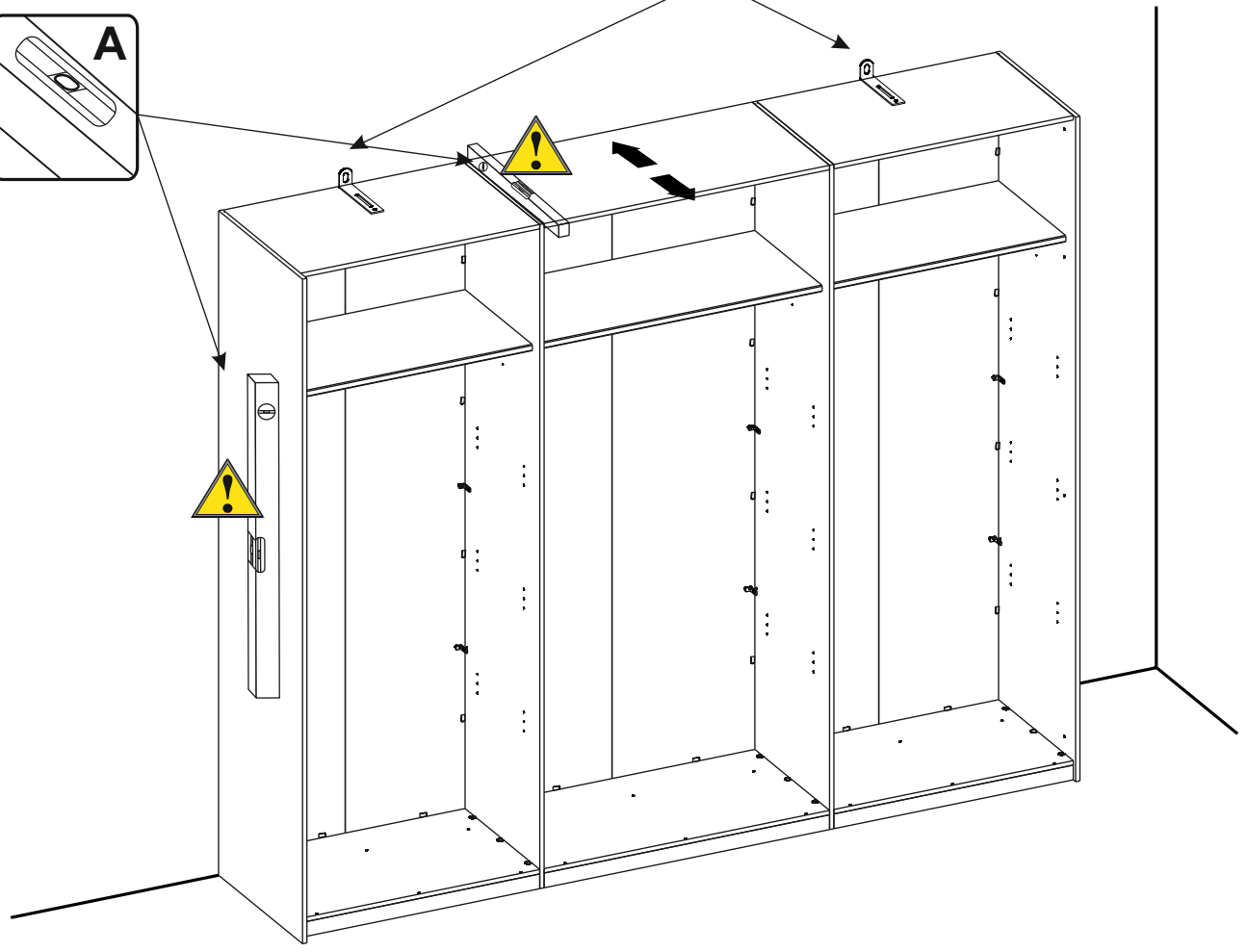
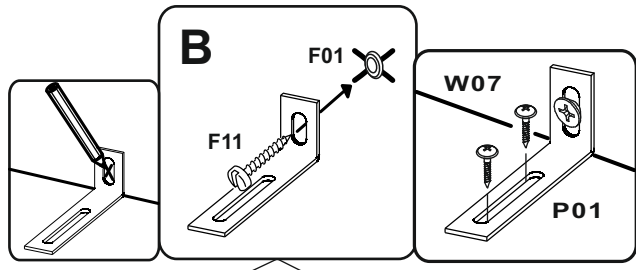
36X R01



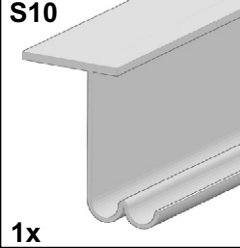
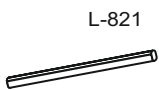

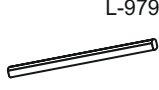
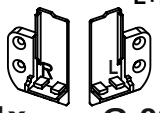
16

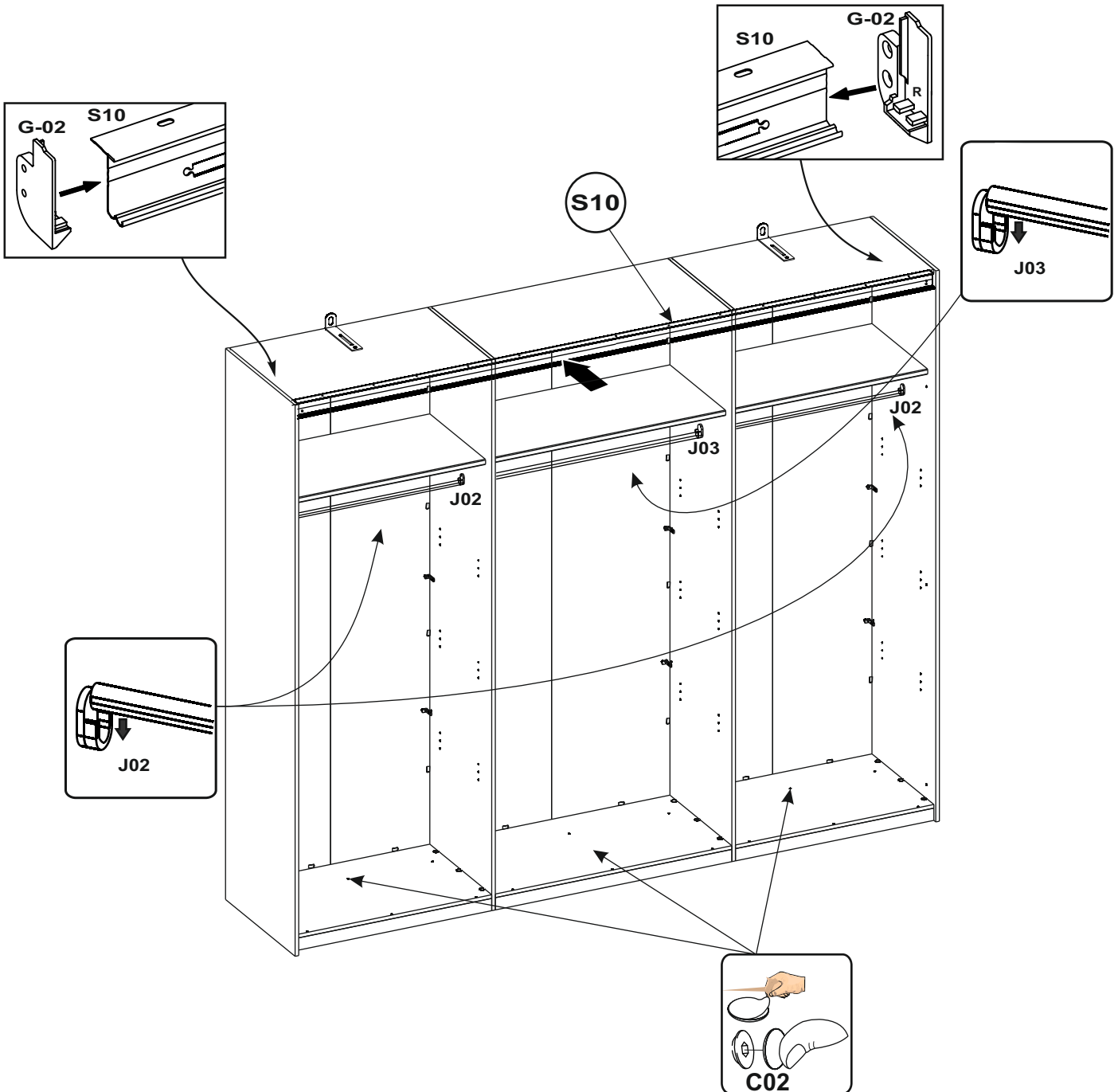


 2x F01	 2x F11	 4x W07	 2x P01
---	--	---	---



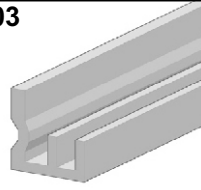
17

 S10 1x	 L-821 2x J02	 18 x C02
	 L-979 1x J03	 L+R 1x G-02



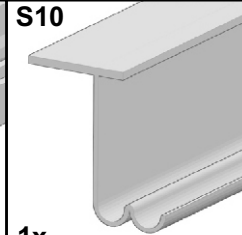
18

S03



1x

S10



1x

3,5x13



13X

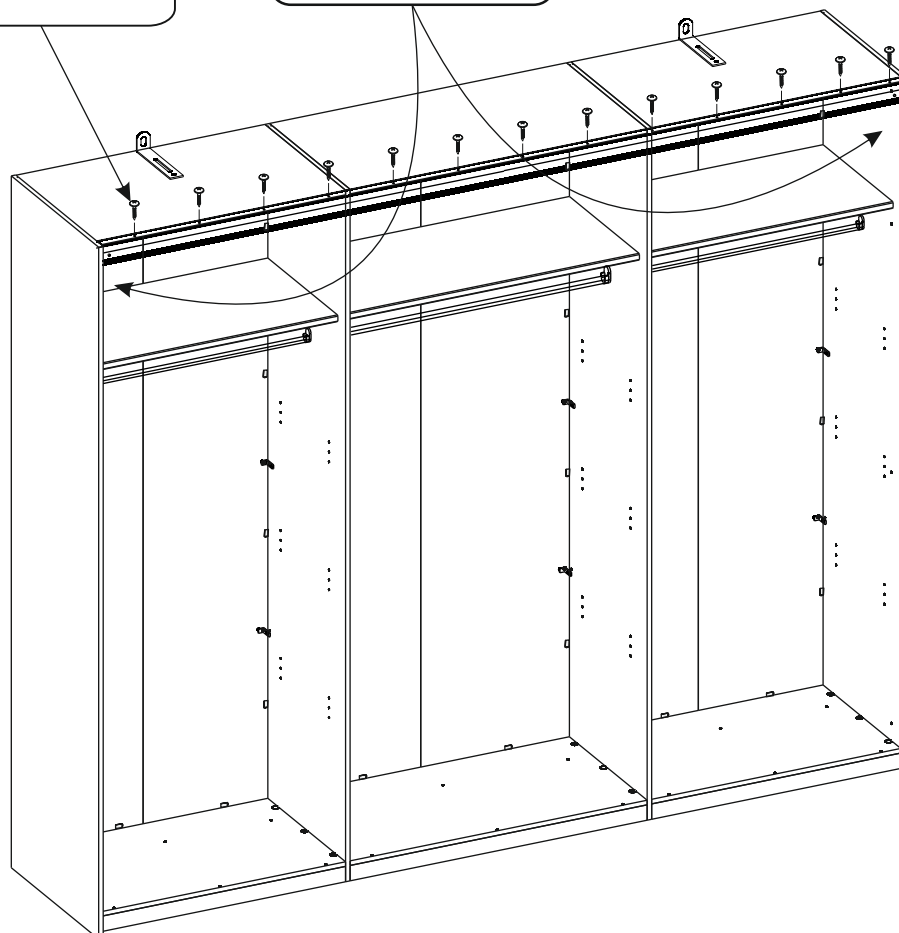
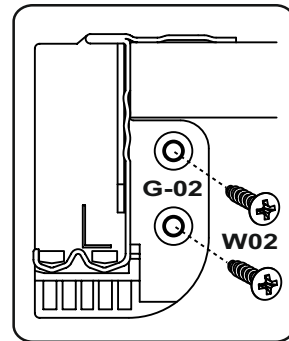
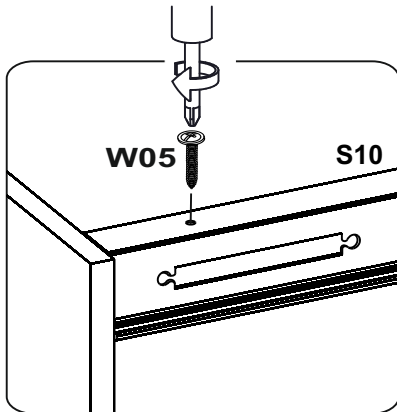
W05

3,5x13

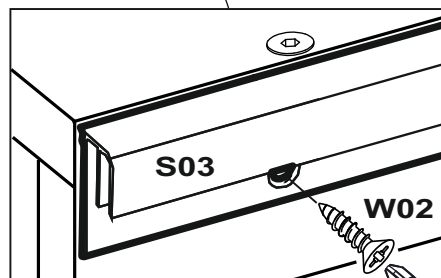
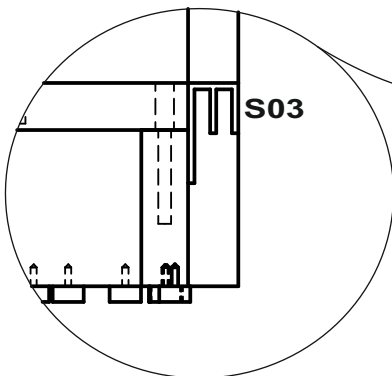
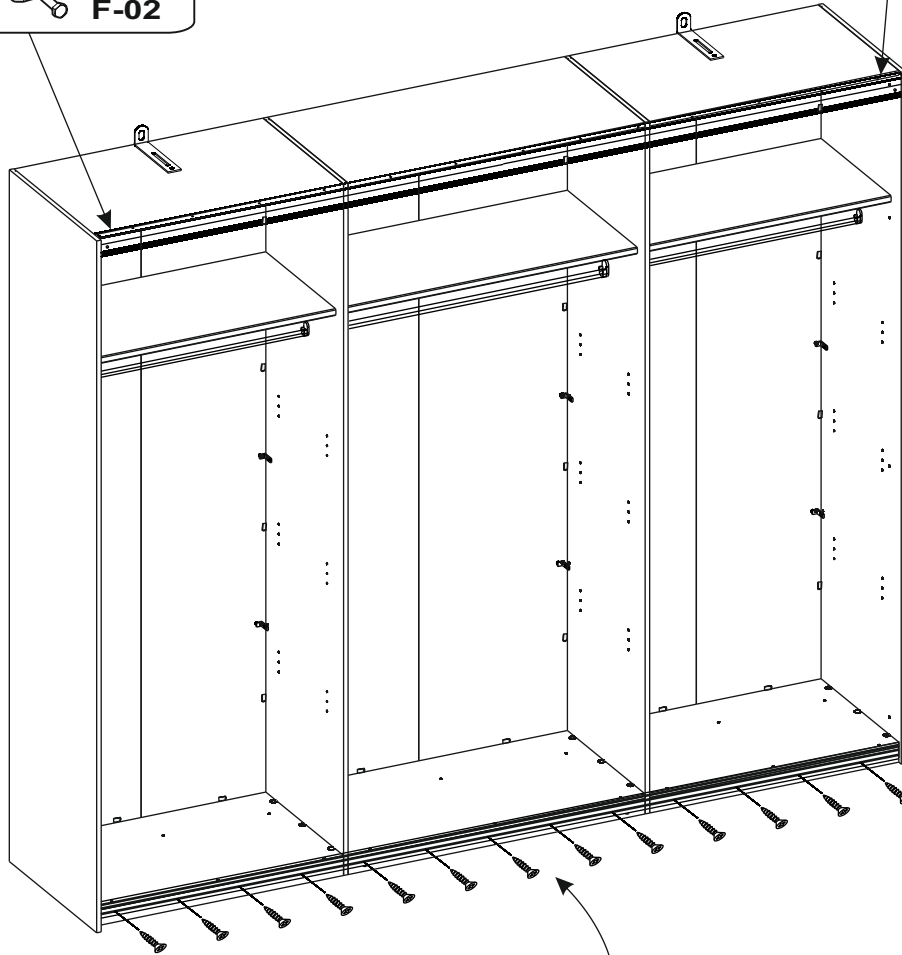
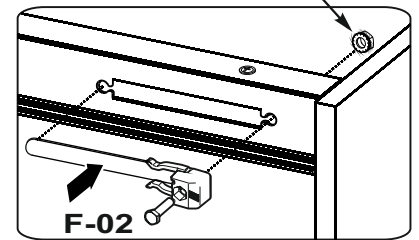
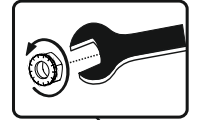
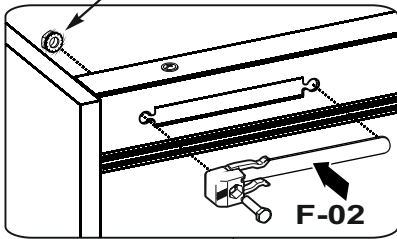
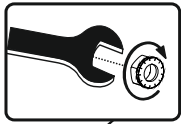
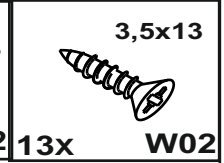
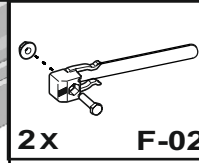
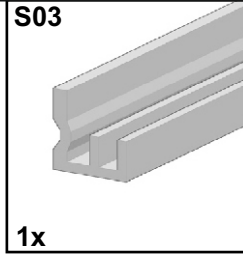


4X

W02

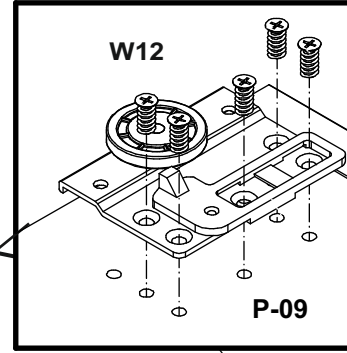
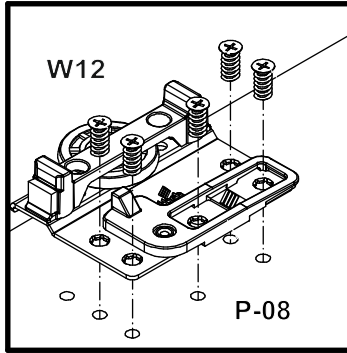


19

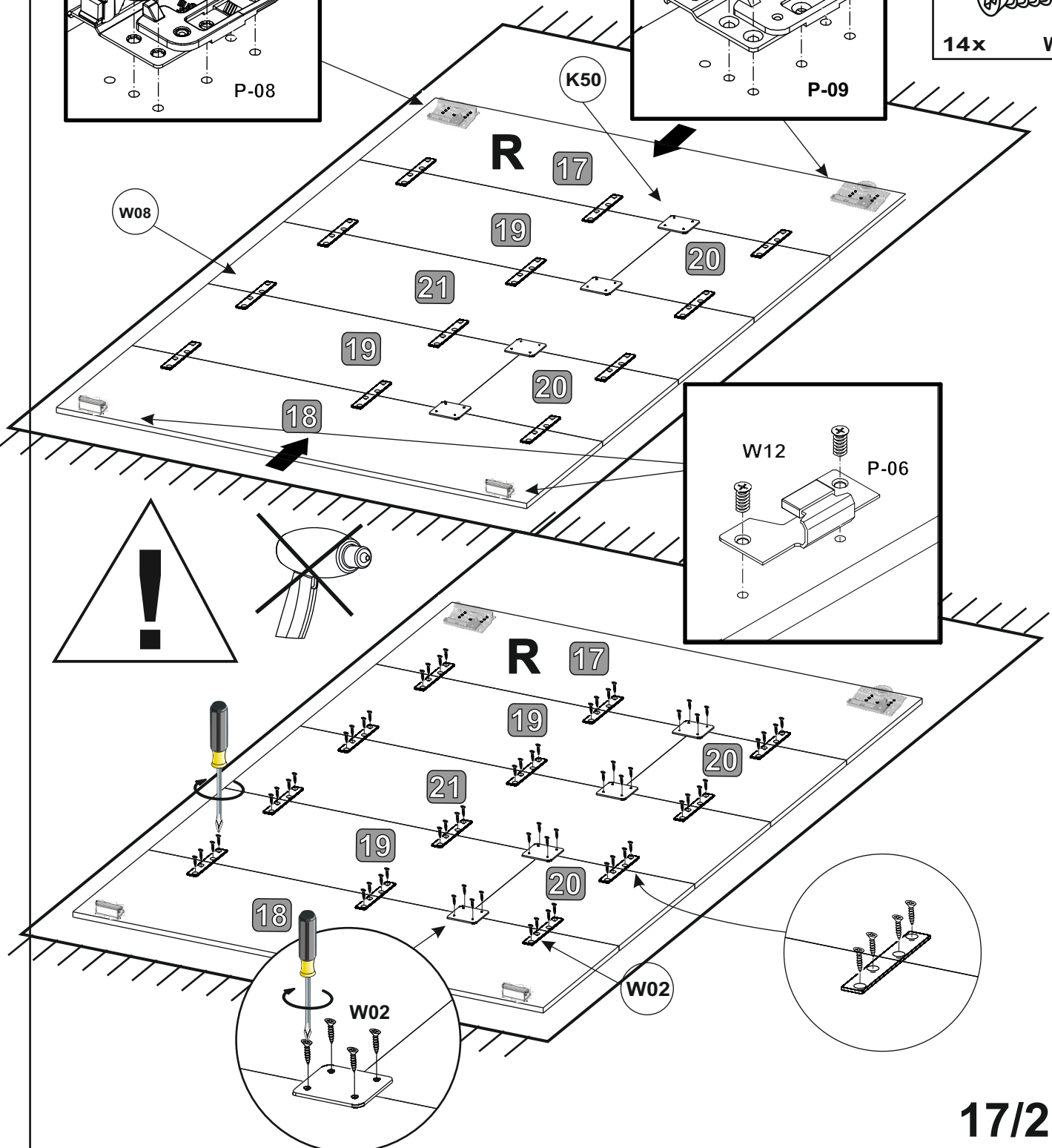


20

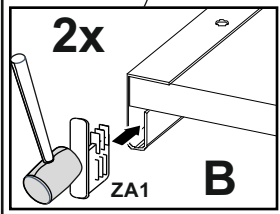
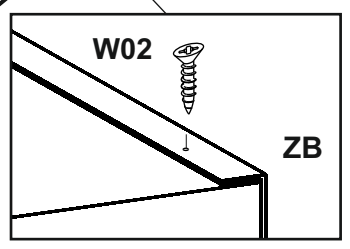
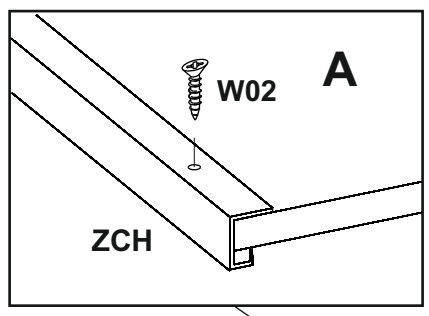
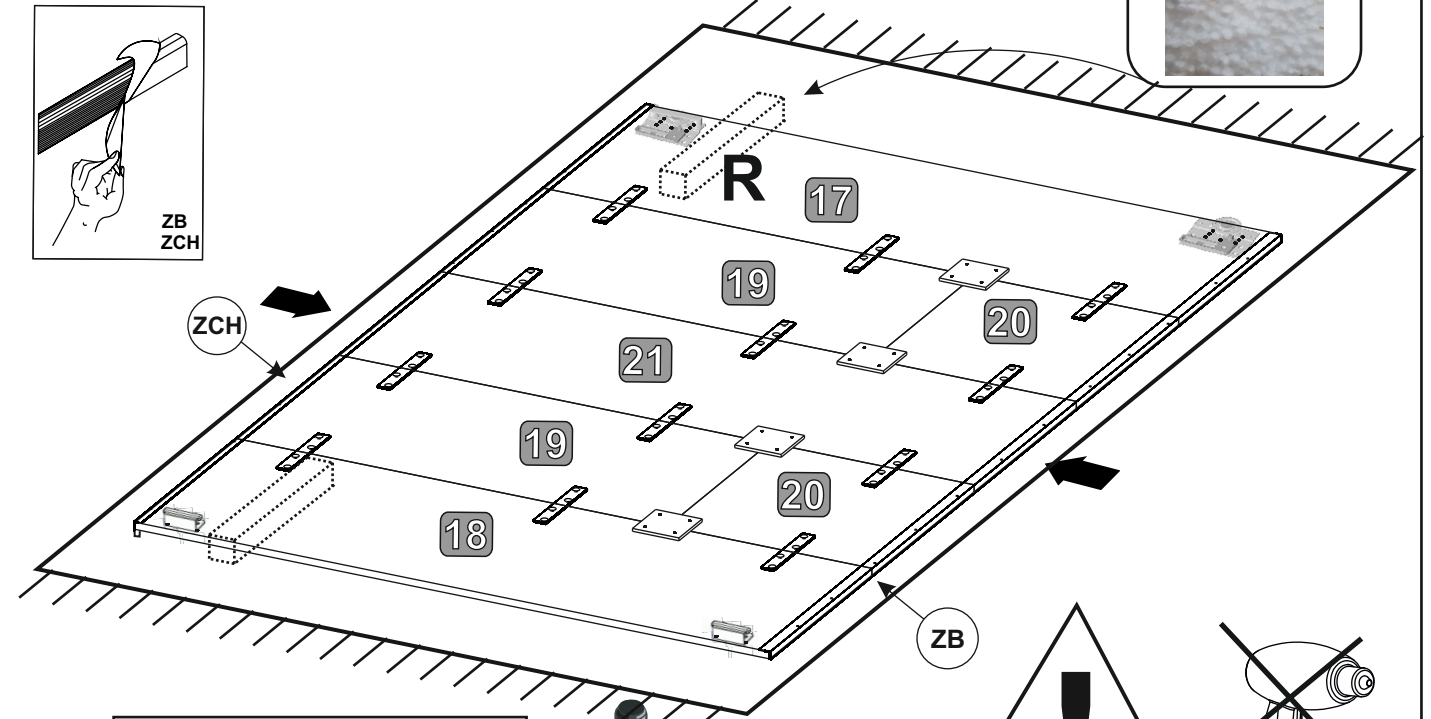
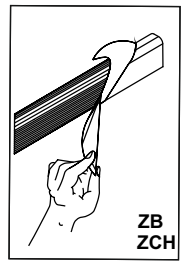
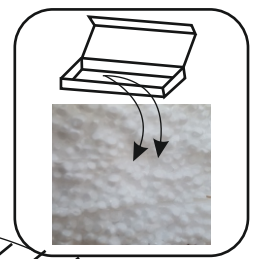
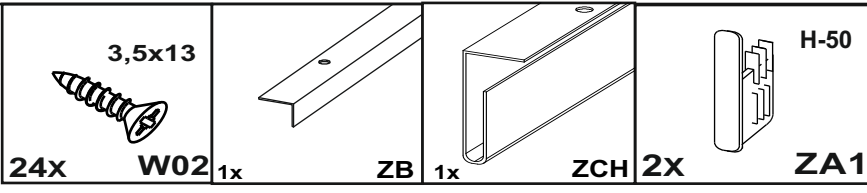
4x	K50	1x	P-09	2x	P-06	1x	P-08	12x	W08
----	-----	----	------	----	------	----	------	-----	-----



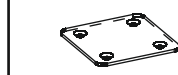
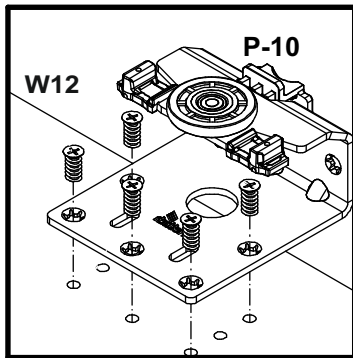
64x	3,5x13	W02
14x	6x11	W12



21

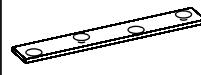


22



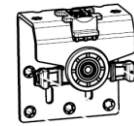
4 X

K50



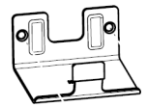
12 X

W08



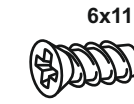
2 X

P-10



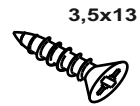
2 X

P-07



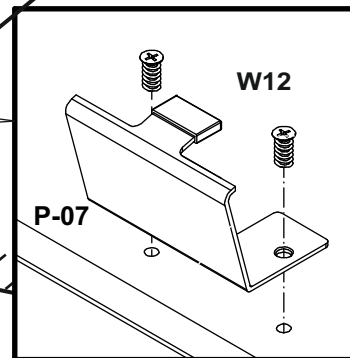
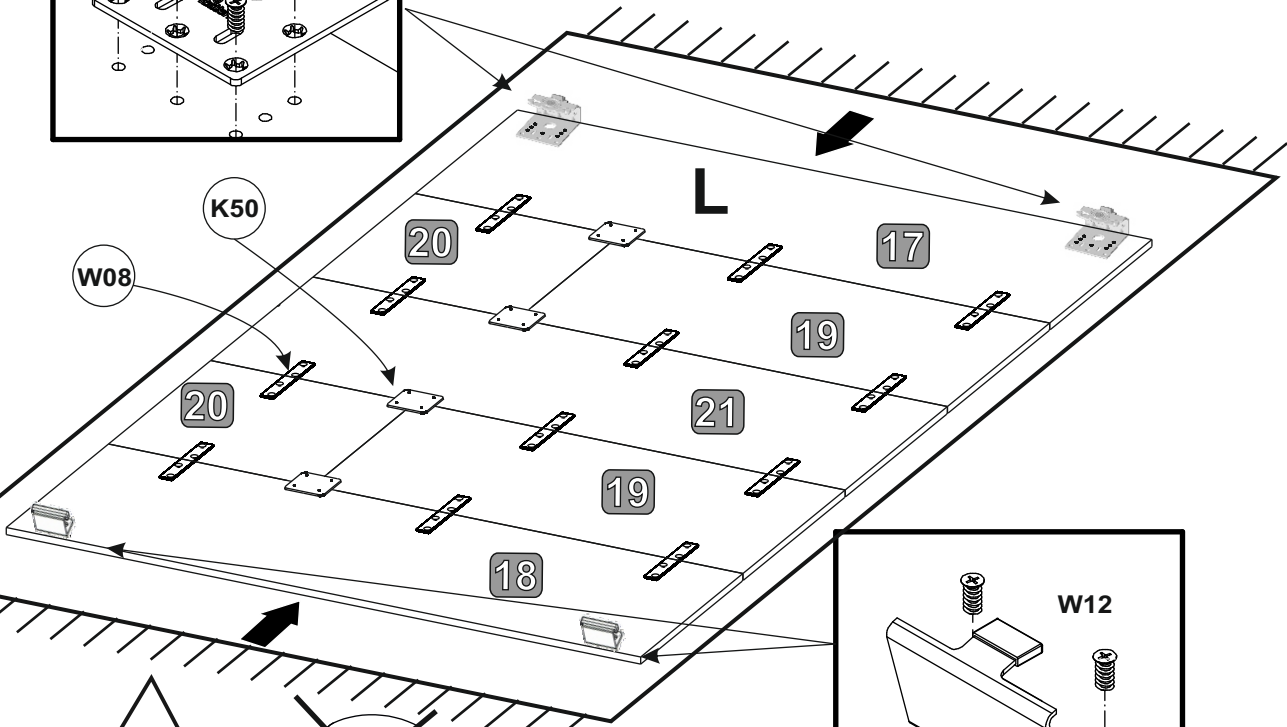
14 X

W12



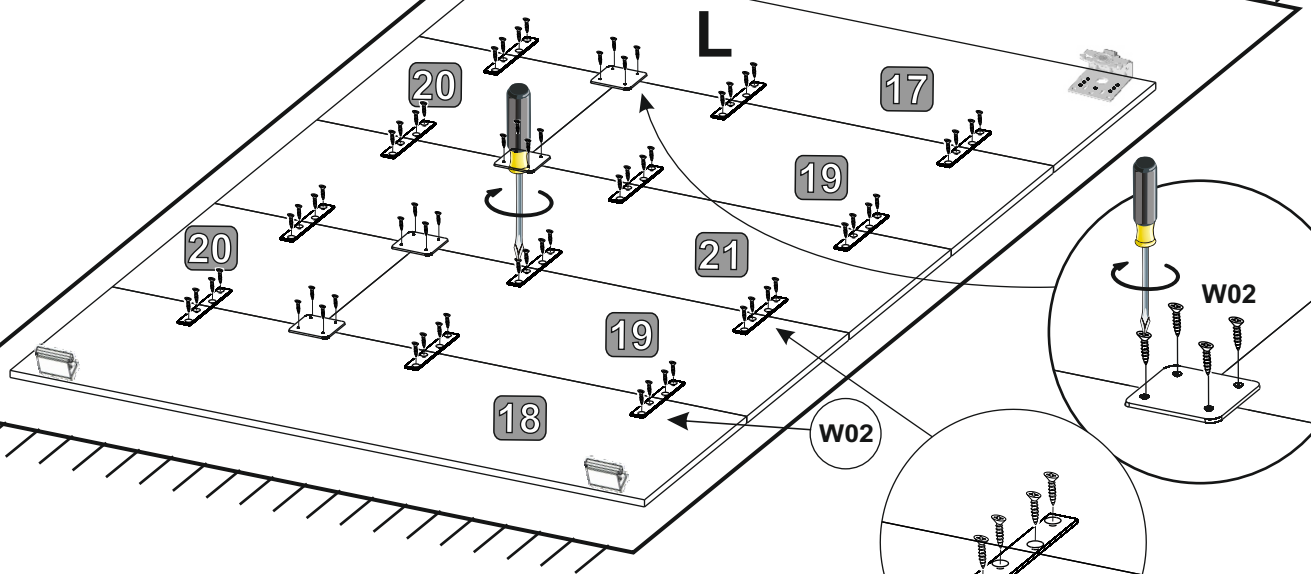
64 X

W02



W12

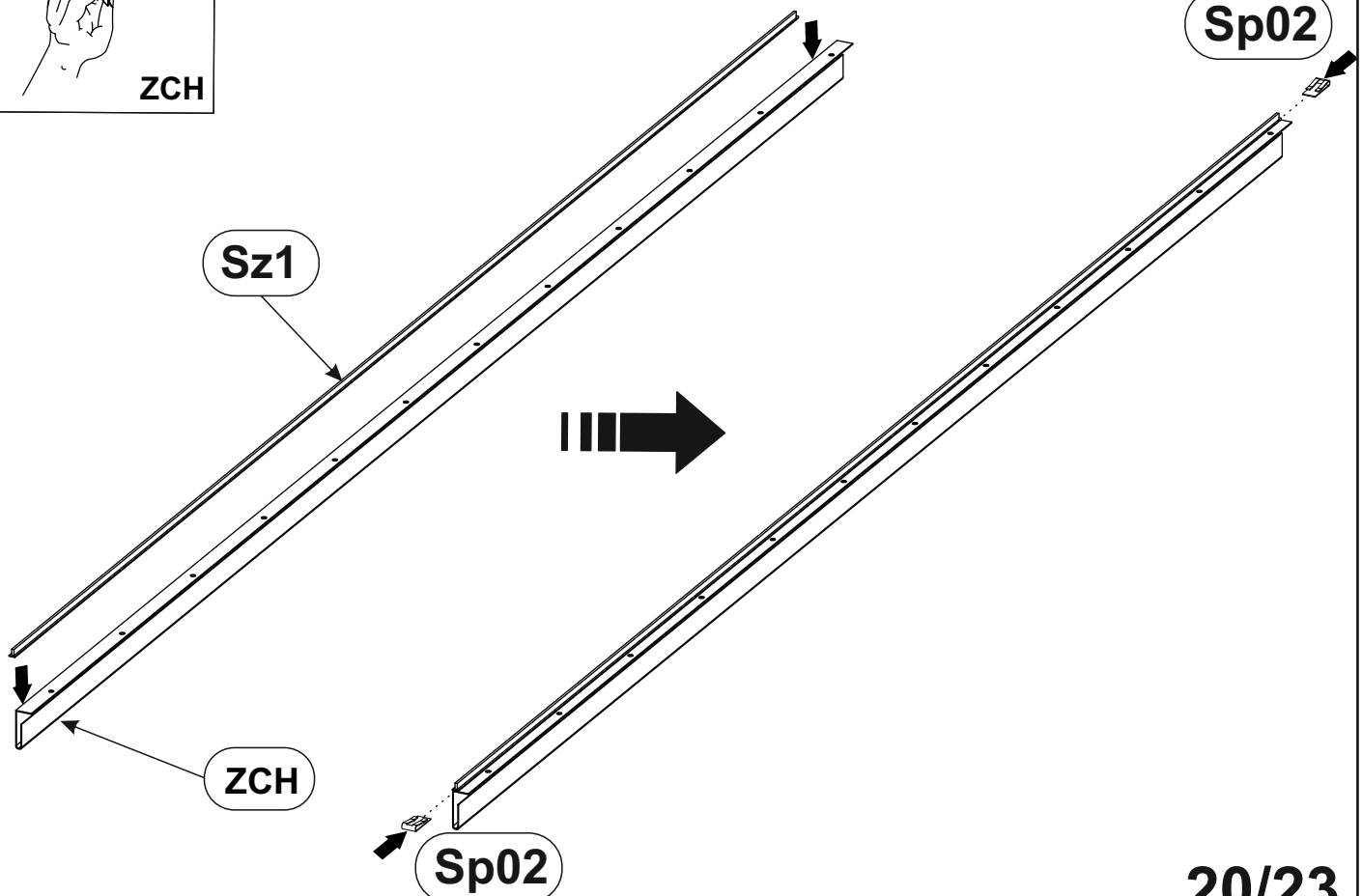
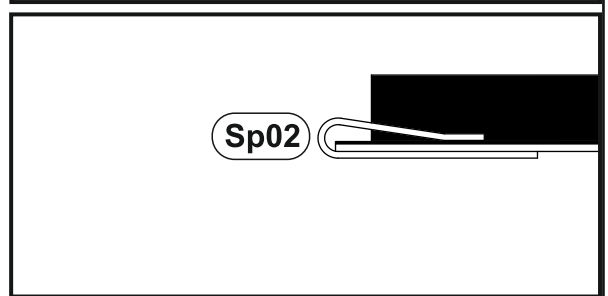
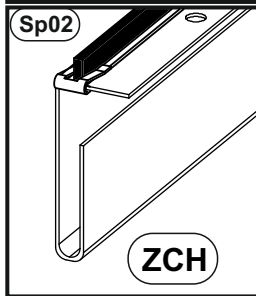
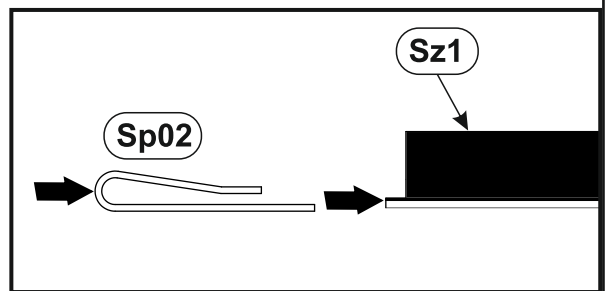
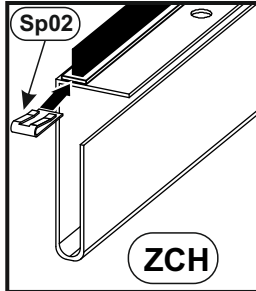
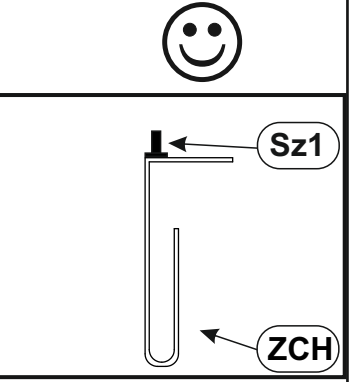
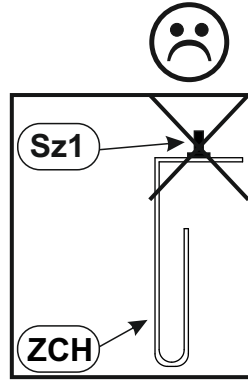
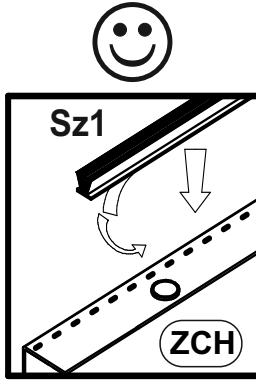
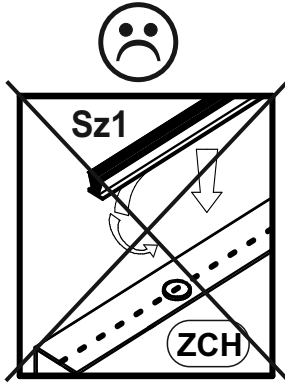
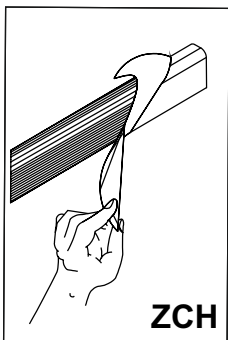
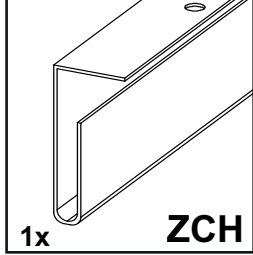
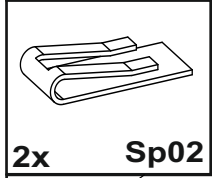
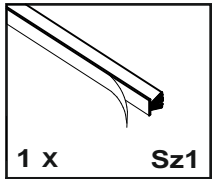
P-07



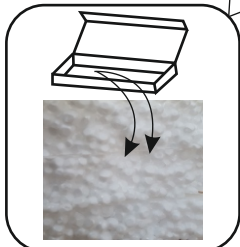
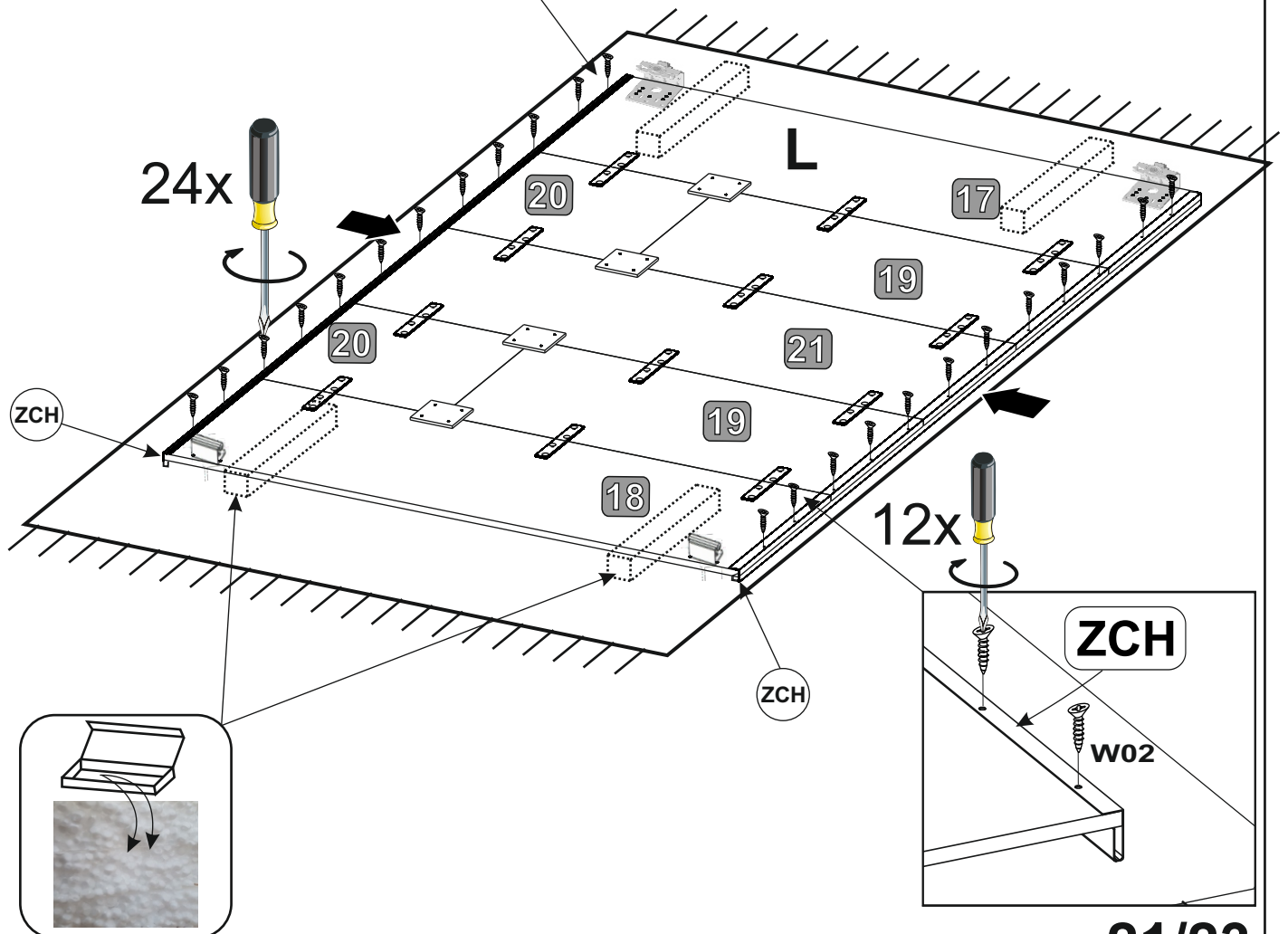
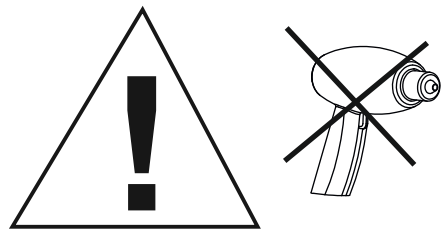
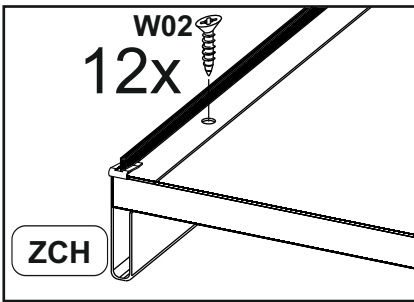
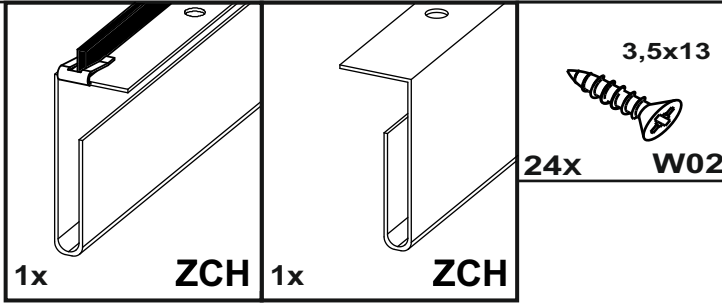
W02

W02

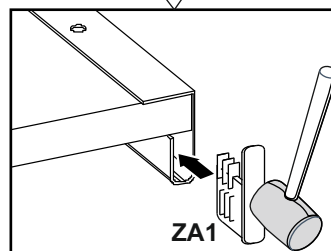
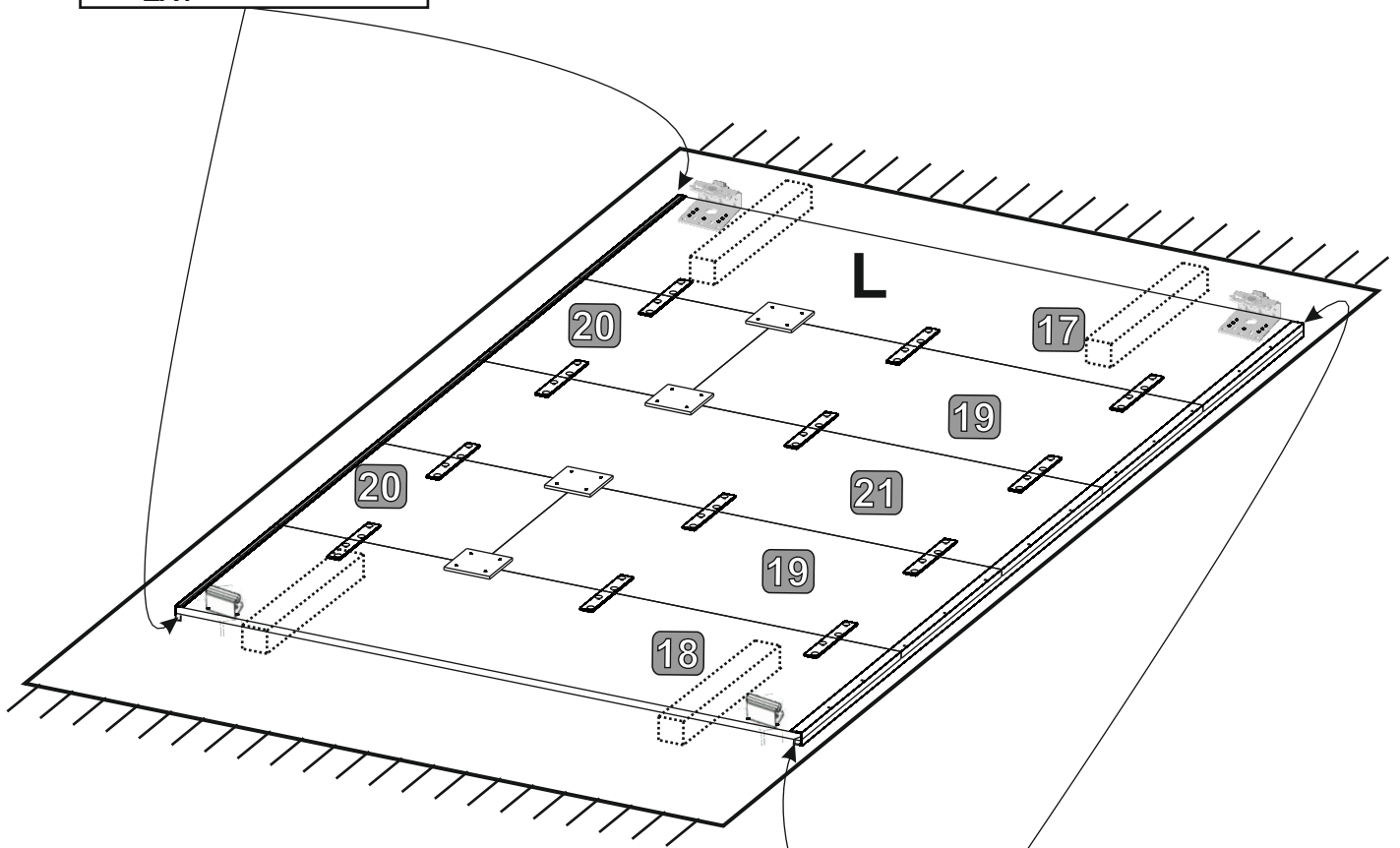
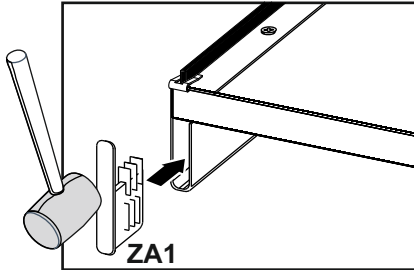
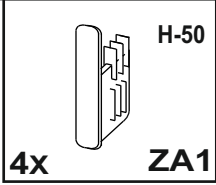
23



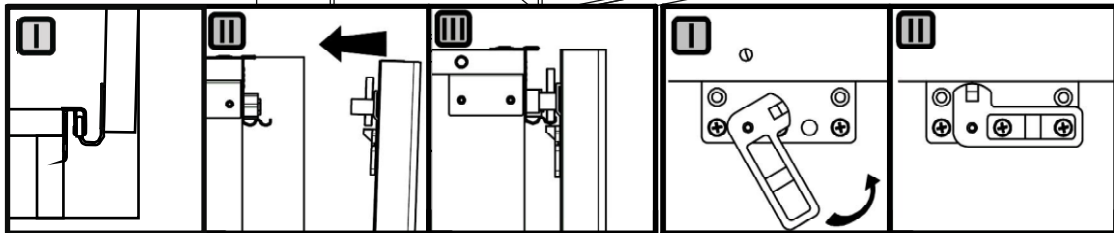
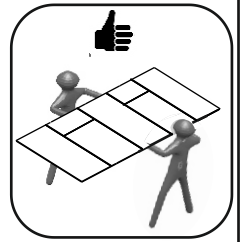
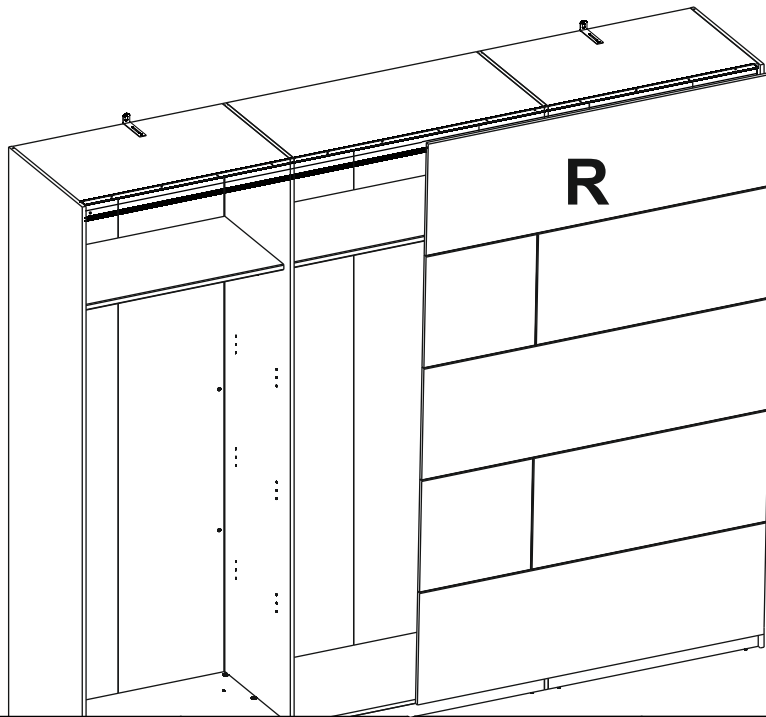
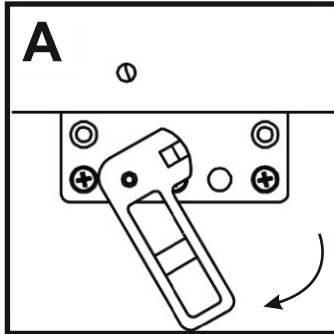
24



25



26



27

